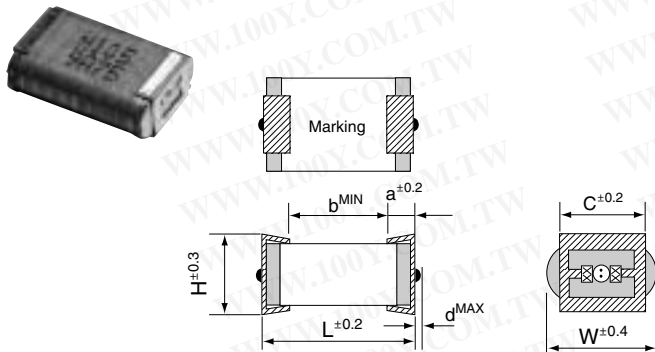


MML-F Series (metallized polyester film chip capacitors)

- Large-capacity, high-voltage chip capacitors applying the case-less type technology for Model MML-E and using polyester film
- Suited for DSU-type terminal adaptors and other communications equipment (products for voltage ratings 100V. DC through 160V. DC)
- Suited for SSRs and other power circuits requiring high voltage (products for voltage rating 630V. DC)

Outline of drawings and dimensions



Voltage ratings 100V. DC and 160V. DC

Product specifications

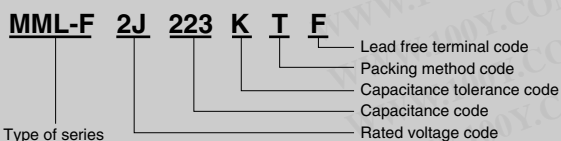
Item	Specification
Operating temperature range	-40°C ~ +85°C (+105°C, with derating over 85°C)
Rated voltage	100,160V.DC
Permissible capacitance	±5% (J), ±10% (K)
Dielectric dissipation factor	0.7% or less (20°C,1kHz)
Withstand voltage	Rated voltage · 1.5, one min.
Insulation resistance	1,000M ω · μ F or more
Resistance to solder heat	Reflow : peak 220°C, 5 seconds or less

Voltage ratings 630V. DC

Product specifications

Item	Specification
Operating temperature range	-40°C ~ +85°C (+105°C, with derating over 85°C)
Rated voltage	630V.DC
Permissible capacitance	±5% (J), ±10% (K)
Dielectric dissipation factor	0.7% or less (20°C,1kHz)
Withstand voltage	Rated voltage · 1.5, one min.
Insulation resistance	15,000M ω or more
Resistance to solder heat	Reflow : peak 220°C, 5 seconds or less

Product symbol : (Example) MML-F Series 630V DC 0.022 μ F±10%



For the taping of Model MML-F, see page 103.

Standard value and case size

(Unit : mm)

Voltage rating (V.DC)	Capacitance		Dimensions						
	(μ F)	Code	H	W	L	a	b	c	d
100	0.47	2A-474	3.5	5.7	7.4	1.2	4.3	4.3	0.3
100	1.0	2A-105	3.5	7.2	10.4	1.2	7.3	4.3	0.3
160	1.0	2C-105	4.5	8.9	10.4	1.2	7.3	4.3	0.3
630	0.010	2J-103	2.5	5.4	10.4	1.2	7.3	4.3	0.3
630	0.015	2J-153	3.5	6.2	10.4	1.2	7.3	4.3	0.3
630	0.022	2J-223	3.5	7.0	10.4	1.2	7.3	4.3	0.3
630	0.033	2J-333	4.5	7.8	10.4	1.2	7.3	4.3	0.3

For ratings not covered in the table, consult Hitachi AIC.

勝特力材料 886-3-5753170
 勝特力电子(上海) 86-21-54151736
 勝特力电子(深圳) 86-755-83298787
[Http://www.100y.com.tw](http://www.100y.com.tw)