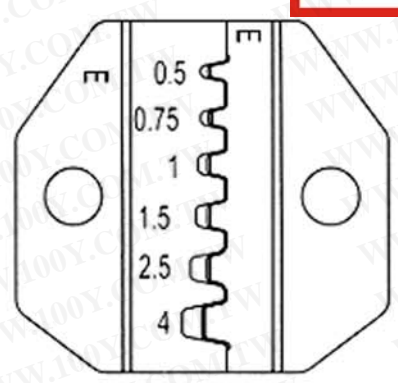


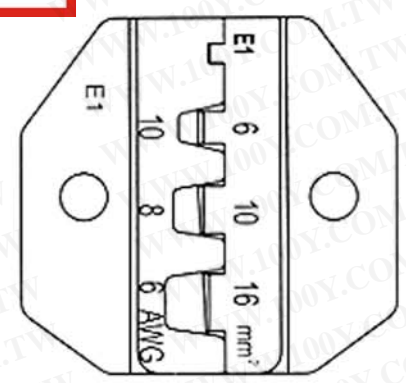
勝特力材料 886-3-5753170
 勝特力电子(上海) 86-21-54151736
 勝特力电子(深圳) 86-755-83298787
[Http://www.100y.com.tw](http://www.100y.com.tw)

HT-236E



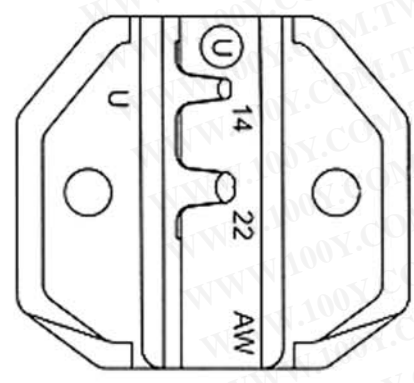
AWG 22,20,18,16,14,12
 DIN 0.5/0.75/1.0/1.5/2.5/4.0mm²
 PIN TERMINAL INSULATED OR
 NON-INSULATED FERRULES

236E1



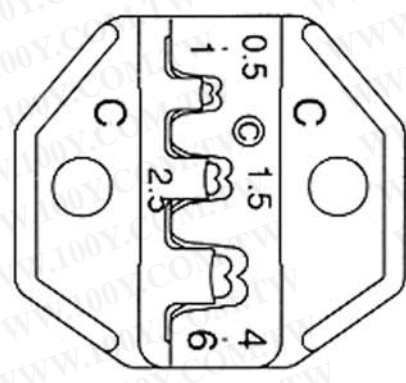
AWG 10,8,6
 DIN 6/10/16mm²
 PIN TERMINAL INSULATED OR
 NON-INSULATED FERRULES

236U



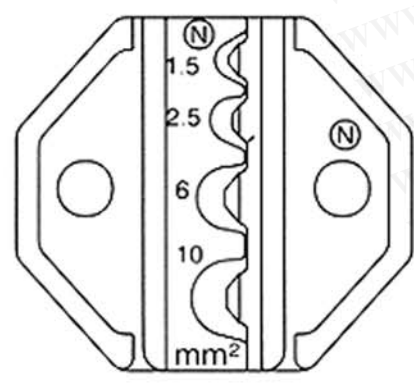
AWG 14-22
 NON-INSULATED OPEN BARREL
 & D-SUB, V.35 CONNECTORS

236C



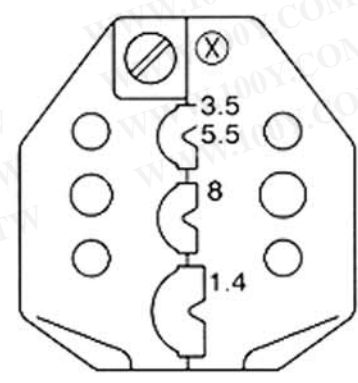
AWG 20-18 16-14 12-10
 INTER-LOCKING &
 NON-INSULATED

236N



AWG 20-18,16-14,12-10,8
 DIN 1.5/2.5/6/10 mm²
 JIS 1.25/2.0/5.5/8 mm²
 NON-INSULATED TERMINAL

301X



HT-301X DIE IS UNCHANGEABLE
 AWG 14 / 12-10 / 8 / 6
 JIS 3.5 / 5.5 / 8 / 14 mm²
 B-TYPE CONN