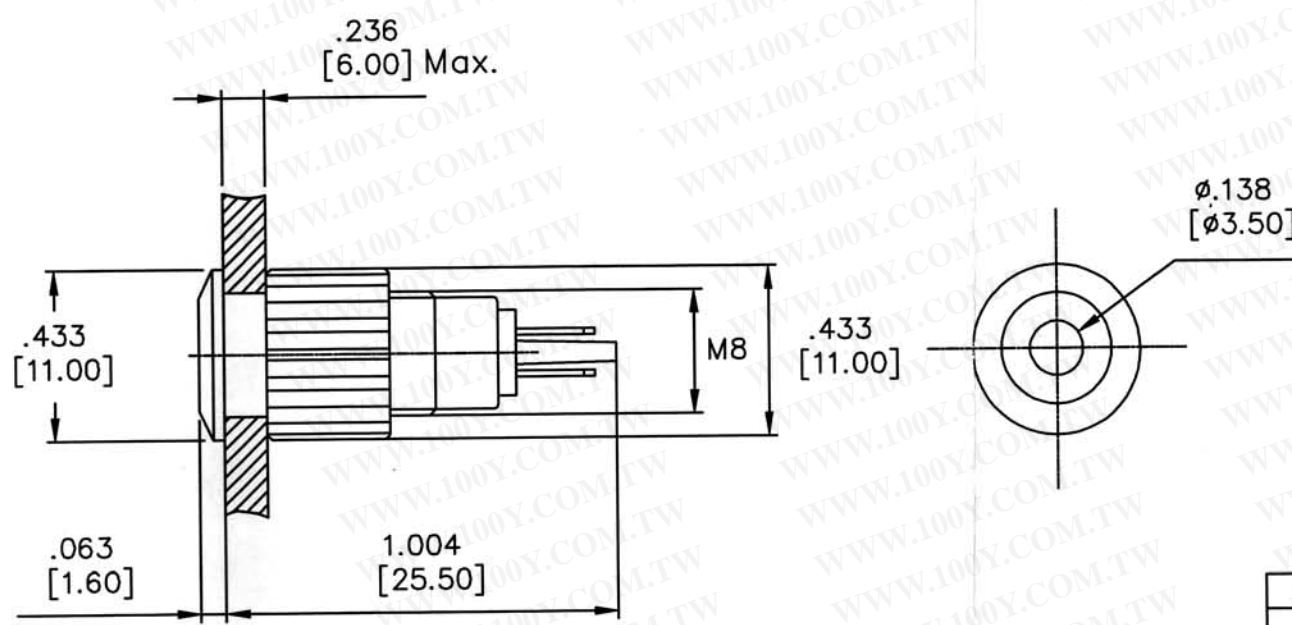


REV. 更改	DESCRIPTION 說明	ENG. 修改人	APPROVE 審核
------------	-------------------	-------------	---------------



勝特力材料 886-3-5753170  
 勝特力电子(上海) 86-21-54151736  
 勝特力电子(深圳) 86-755-83298787  
[Http://www.100y.com.tw](http://www.100y.com.tw)

"x"	LED Color
R	Red
G	Green
Y	Yellow
O	Orange
B	Blue
W	White

"y"	Voltage
2	6V
3	12V
4	24V

**SPECIFICATIONS:**

- 1.Voltage Range: 3~48V.
- 2.Rated Current: 15mA.
- 3.Dielectric Strength: 1,100V RMS 50~60Hz.
- 4.Operating Temperature: -20°C ~ +55°C.
- 5.IP Class: IP67 protection.
- 6.Torque: 5~14Nm max. applied to nut.

**MATERIALS:**

- 1.Button: PC.
- 2.Body: Brass nickel plated (N).
- 3.Base: PBT.
- 4.Lamp Type: LED.

ITEM NO. 料號	IL-NI-04-x-y-N (brass nickel plated)
----------------	--------------------------------------

THESE DRAWINGS AND SPECIFICATIONS ARE THE PROPERTY OF TAIWAY ELECTRONICS LTD. AND SHALL NOT BE REPRODUCED COPIED OR USED IN ANY MANNER WITHOUT THE PRIOR WRITTEN CONSENT OF TAIWAY ELECTRONICS LTD.			
UNLESS OTHERWISE SPECIFIED DIMENSIONS ARE IN MILLIMETERS ANGULAR TOLERANCE: ±1.0°		USED 用途	IL
APPD. 審核		Amy 2007/11/29	
FINISH 處理		CHKD. 校對	
DR. 製圖		Amy 2007/11/29	
DIMENSIONS	TOLERANCE	SCALE 比例	2 / 1
0.00 TO 30.00mm	±0.20mm	UNIT 單位	in(mm)
30.01 TO 80.00mm	±0.25mm	TITLE 名稱	
80.01 TO 150.00mm	±0.30mm	Anti-Vandal Indicator	
150.01	±0.40mm	DWG NO. 圖號	IL-NI-04
MATERIAL		FILE NAME 檔案名稱	NI-04.DWG
		SHEET 張	1 / 1
		REV. 更改	1