
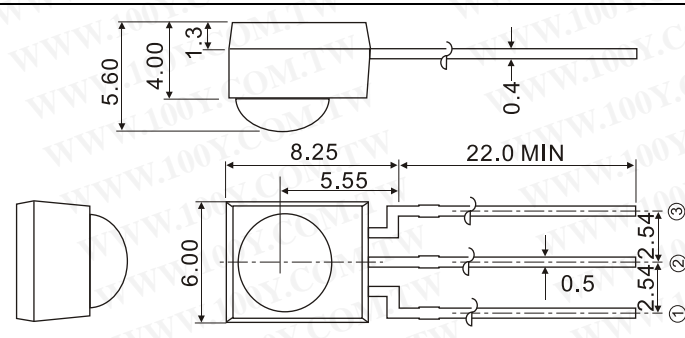

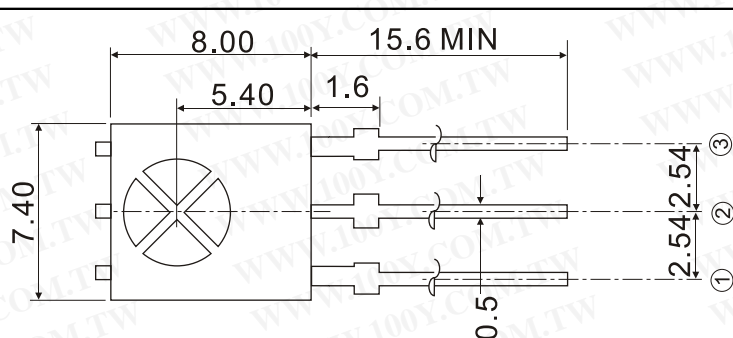



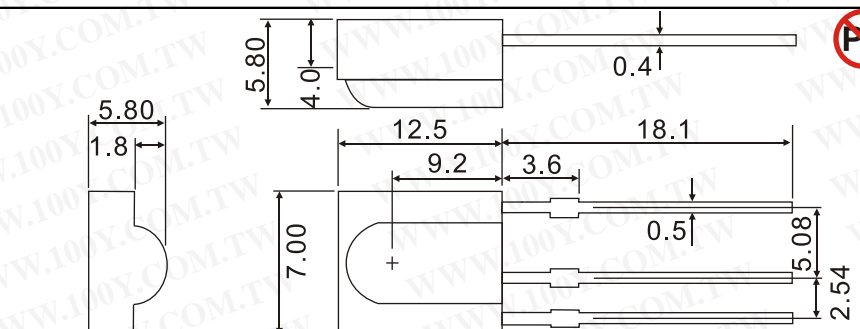
I.R. Receiver Pre-amp Module

Ta=25°C

Device No	Feature	Supply voltage	Controlling Distance	Low Level Pulse Width(us)			High Level Pulse Width(us)			Carrier wave frequency(kHz)
		Vcc(V)	L typ(M)	Min	Typ	Max	Min	Typ	Max	Fo (typical)

		small type 3pin	4.5~5.5	14	400	600	800	400	600	800	38.0
			IR2638								

		small type 3pin	4.5~5.5	35	480	600	720	480	600	720	38.0
			IR001T5								
IR1261			2.4~5.5	16	400	600	800	400	600	800	

		small type 3pin	4.5~5.5	12	400	600	800	400	600	800	38.0	
			IR5040									
			IR5240									
IR5440			4.5~5.5	12	400	600	800	400	600	800	40.0	

勝特力材料 886-3-5753170
 勝特力电子(上海) 86-21-54151736
 勝特力电子(深圳) 86-755-83298787
[Http://www.100y.com.tw](http://www.100y.com.tw)