

勝特力材料 886-3-5753170
 勝特力电子(上海) 86-21-54151736
 勝特力电子(深圳) 86-755-83298787
 Http://www.100y.com.tw

International **IR** Rectifier

Replaced by PVD13N

Data Sheet No. PD10024E

Series PVD13

Microelectronic Power IC
 BOSFET® Photovoltaic Relay
 Single-Pole, 500mA, 0-100V DC

General Description

The Photovoltaic DC Relay (PVD) is a single-pole, normally open solid state replacement for electro-mechanical relays used for general purpose switching of analog signals. It utilizes as an output switch a unique bidirectional (AC or DC) MOSFET power IC termed a BOSFET. The BOSFET is controlled by a photovoltaic generator of novel construction, which is energized by radiation from a dielectrically isolated light emitting diode (LED).

The PVD overcomes the limitations of both conventional and reed electromechanical relays by offering the solid state advantages of long life, high operating speed, low pick-up power, bounce-free operation, low thermal voltages and miniaturization. These advantages allow product improvement and design innovations in many applications such as process control, multiplexing, telecommunications, automatic test equipment and data acquisition.

The PVD can switch analog signals from thermocouple level to 100 volts peak DC. Signal frequencies into the RF range are easily controlled and switching rates up to 2kHz are achievable. The extremely small thermally generated offset voltages allow increased measurement accuracies.

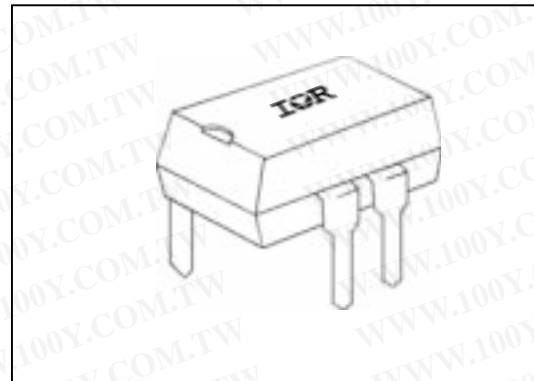
Unique silicon technology developed by International Rectifier forms the heart of the PVD. The monolithic BOSFET contains a bidirectional N-channel power MOSFET output structure. In addition, this power IC chip has input circuitry for fast turn-off and gate protection functions. This section of the BOSFET chip utilizes both bipolar and MOS technology to form NPN transistors, P-channel MOSFETs, resistors, diodes and capacitors.

The photovoltaic generator similarly utilizes a unique International Rectifier alloyed multijunction structure. The excellent current conversion efficiency of this technique results in the very fast response of the PVD microelectronic power IC relay.

This advanced semiconductor technology has created a radically new control device. Designers can now develop switching systems to new standards of electrical performance and mechanical compactness.

Features

- BOSFET Power IC ■
- 10¹⁰ Operations ■
- 300µsec Operating Time ■
- 3 milliwatts Pick-Up Power ■
- 1000V/µsec dv/dt ■
- Bounce-Free ■
- 8-pin DIP Package ■
- 40°C to 85°C ■
- UL recognized ■



Part Identification

| Part Number | Operating Voltage (DC) | Sensitivity | Off-State Resistance |
|-------------|------------------------|-------------|-----------------------|
| PVD1352 | 0 – 100V | 5 mA | 10 ⁸ Ohms |
| PVD1354 | | | 10 ¹⁰ Ohms |

(BOSFET is a trademark of International Rectifier)

勝特力材料 886-3-5753170
 勝特力电子(上海) 86-21-54151736
 勝特力电子(深圳) 86-755-83298787
[Http://www.100y.com.tw](http://www.100y.com.tw)

International
IOR Rectifier

Replaced by PVD13N
Electrical Specifications ($-40^{\circ}\text{C} \leq T_A \leq +85^{\circ}\text{C}$ unless otherwise specified)

| INPUT CHARACTERISTICS | PVD1352 | PVD1354 | Units |
|--|---------|-------------------|-------------------------------------|
| Minimum Control Current (see figures 1 and 2) For 300mA Continuous Load Current For 400mA Continuous Load Current For 150mA Continuous Load Current | | 2.0 5.0 5.0 | DC mA@25°C mA@40°C mA@85°C |
| Maximum Control Current for Off-State Resistance at 25°C | | 10 | μA(DC) |
| Control Current Range (Caution: current limit input LED. See figure 6) | | 2.0 to 25 | mA(DC) |
| Maximum Reverse Voltage | | 7.0 | V(DC) |

| OUTPUT CHARACTERISTICS | PVD1352 | PVD1354 | Units |
|--|-----------------|------------------|---------------------|
| Operating Voltage Range | 0 to + 100 | | V _(PEAK) |
| Maximum Load Current 40°C (see figures 1 and 2) | 500 | | mA(DC) |
| Response Time @25°C (see figures 7 and 8) Max. T _(on) @ 12mA Control, 50 mA Load, 100 VDC Max. T _(off) @ 12mA Control, 50 mA Load, 100 VDC | | 300 50 | μs μs |
| Max. On-state Resistance 25°C (Pulsed) (fig. 4) 200 mA Load, 5mA Control | 1.5 | | Ω |
| Min. Off-state Resistance 25°C @ 80 VDC (see figure 5) | 10 ⁸ | 10 ¹⁰ | Ω |
| Max. Thermal Offset Voltage @ 5.0mA Control | 0.2 | | μvolts |
| Min. Off-State dv/dt | 1000 | | V/μs |
| Output Capacitance | 12 | | pF @ 50VDC |

| GENERAL CHARACTERISTICS (PVD1352 and PVD1354) | | Units | |
|---|--|----------------------------------|------------------|
| Dielectric Strength: Input-Output | | 2500 | V _{RMS} |
| Insulation Resistance: Input-Output @ 90V _{DC} | | 10 ¹² @ 25°C - 50% RH | Ω |
| Maximum Capacitance: Input-Output | | 1.0 | pF |
| Max. Pin Soldering Temperature (1.6mm below seating plane, 10 seconds max.) | | +260 | °C |
| Ambient Temperature Range: | | | |
| Operating | | -40 to +85 | |
| Storage | | -40 to +100 | |

勝特力材料 886-3-5753170
 勝特力电子(上海) 86-21-54151736
 勝特力电子(深圳) 86-755-83298787
[Http://www.100y.com.tw](http://www.100y.com.tw)

International
~~IOR~~ Rectifier

Series PVD13

Replaced by PVD13N

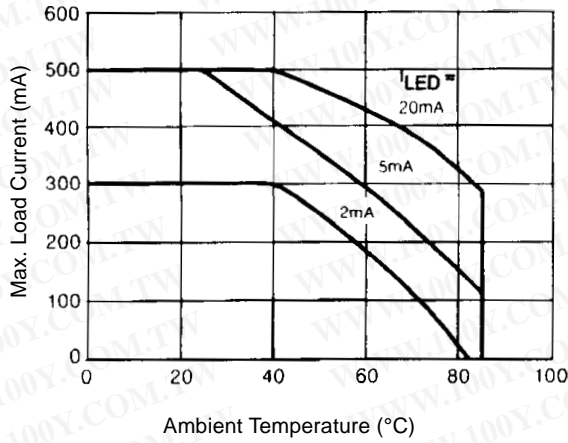


Figure 1. Current Derating Curves

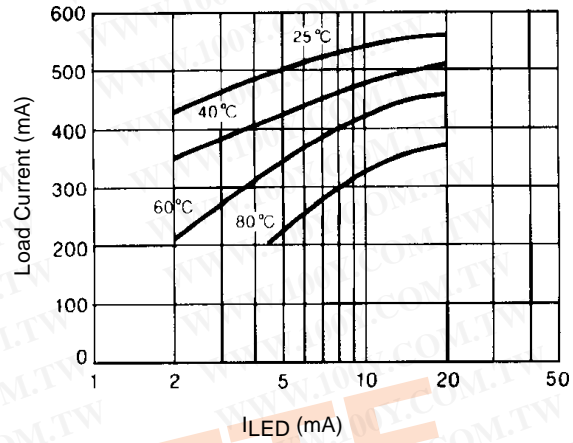


Figure 2. Typical Control Current Requirements

OBSOLETE

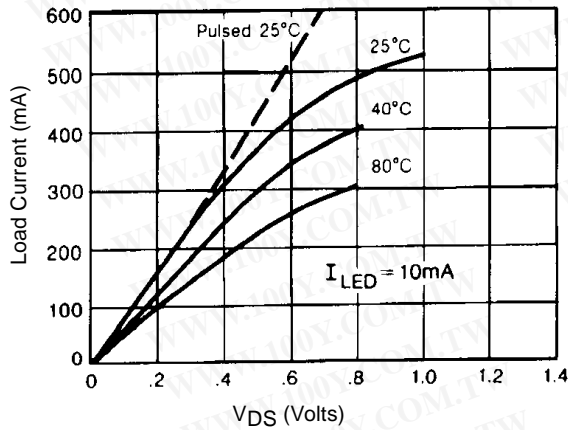


Figure 3. Typical On Characteristics

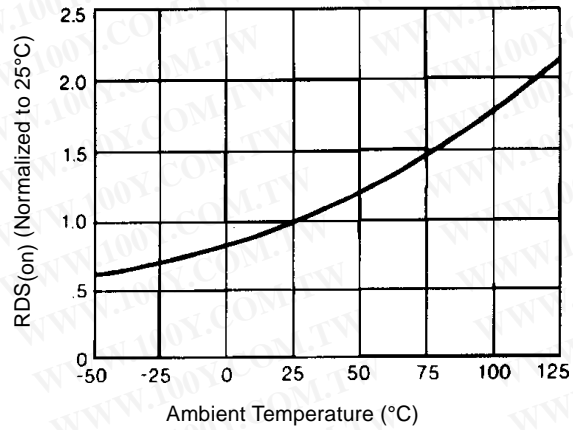


Figure 4. Typical Normalized On-Resistance

勝特力材料 886-3-5753170
 勝特力电子(上海) 86-21-54151736
 勝特力电子(深圳) 86-755-83298787
[Http://www.100y.com.tw](http://www.100y.com.tw)

Series PVD13

International
IOR Rectifier

Replaced by PVD13N

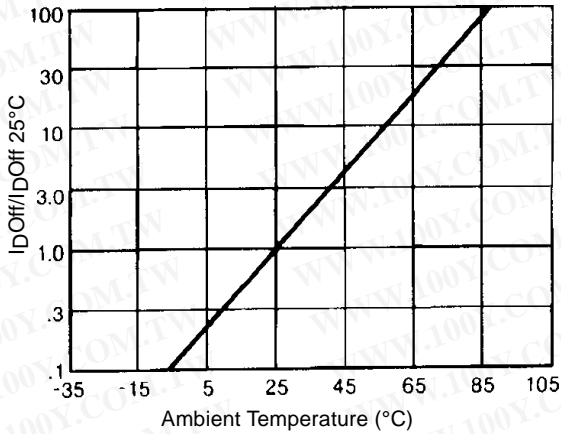


Figure 5. Normalized Off-State Leakage

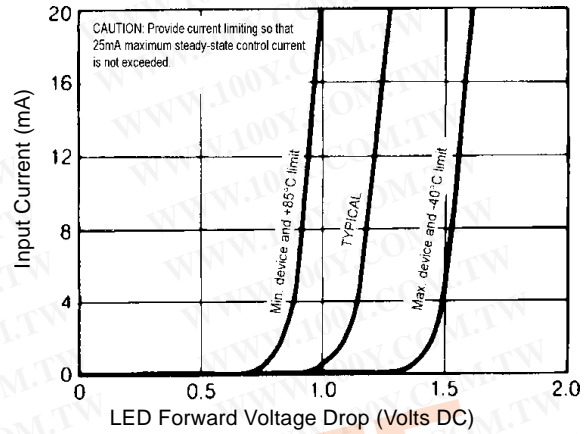


Figure 6. Input Characteristics (Current Controlled)

OBSOLETE

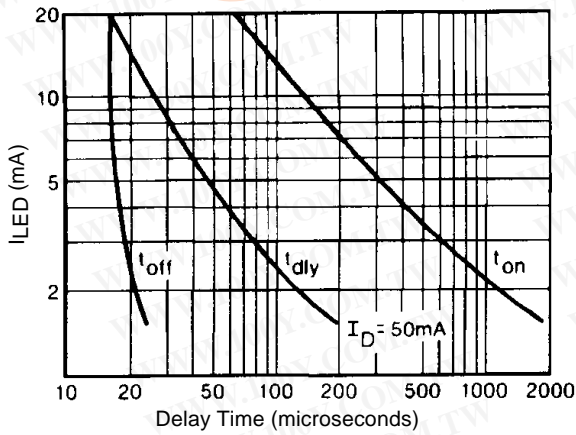


Figure 7. Typical Delay Times

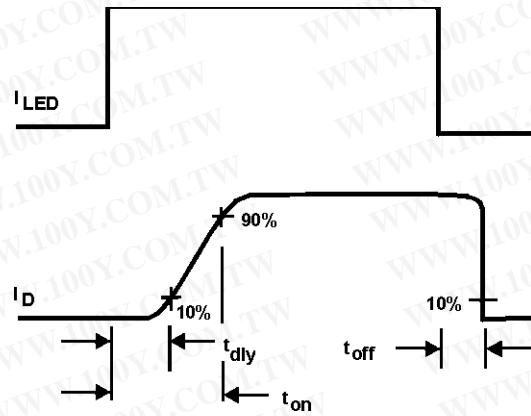


Figure 8. Delay Time Definitions

勝特力材料 886-3-5753170
 勝特力电子(上海) 86-21-54151736
 勝特力电子(深圳) 86-755-83298787
[Http://www.100y.com.tw](http://www.100y.com.tw)

International
IOR Rectifier

Series PVD13

Replaced by PVD13N

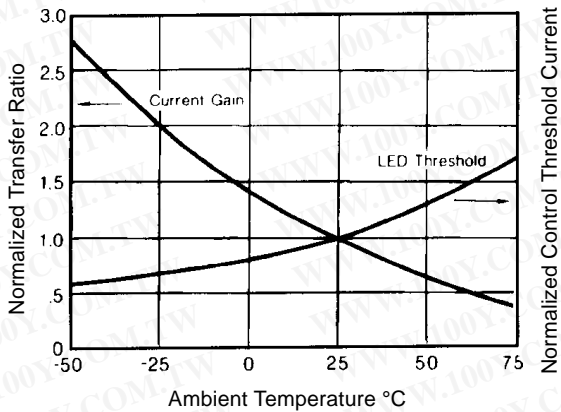


Figure 9. Typical Control Threshold and Transfer Ratio

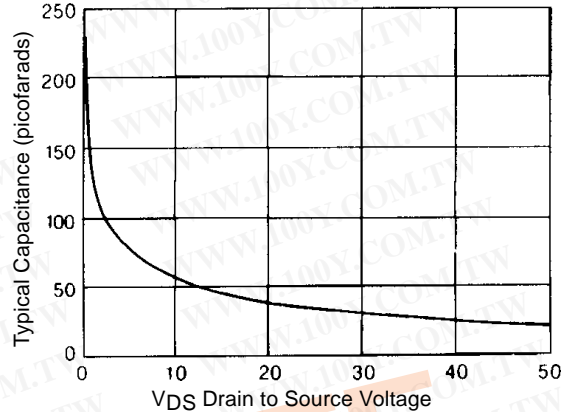
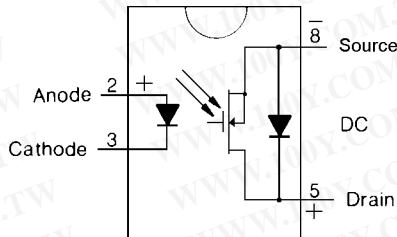


Figure 10. Typical Output Capacitance

OBSOLETE

Wiring Diagram



勝特力材料 886-3-5753170
 勝特力电子(上海) 86-21-54151736
 勝特力电子(深圳) 86-755-83298787
[Http://www.100y.com.tw](http://www.100y.com.tw)

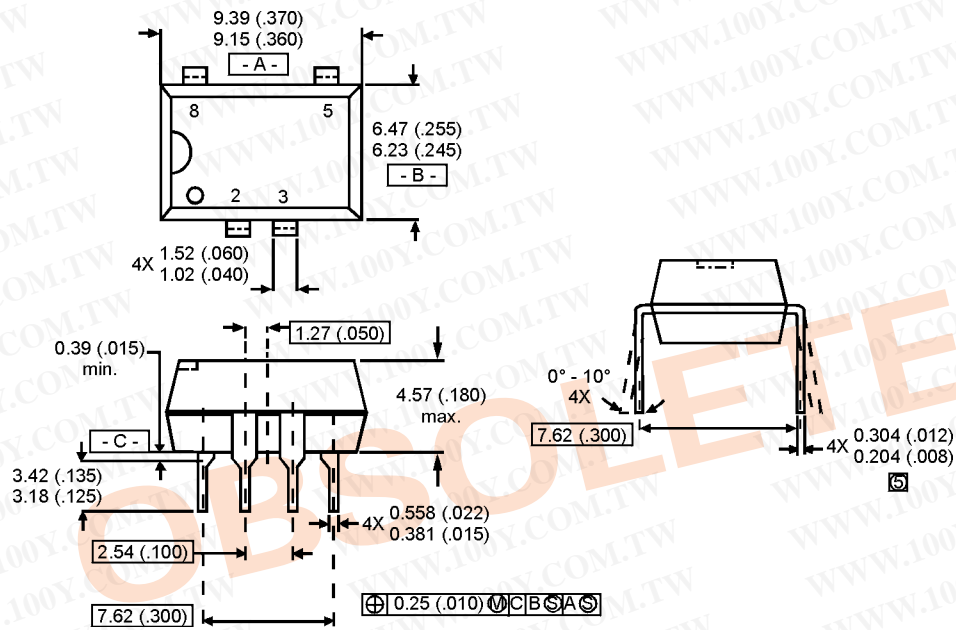
Series PVD13

International
IRF Rectifier

Replaced by PVD13N

Case Outline

(Dimensions in millimeters (inches))



Mechanical Specifications:

Package: 8-pin DIP
 Tolerances: .015 (.38) unless otherwise specified
 Case Material: molded epoxy
 Weight: .07 oz. (2 gr.)

International
IRF Rectifier

WORLD HEADQUARTERS: 233 Kansas St., El Segundo, California 90245 Tel: (310) 252-7105

<http://www.irf.com/>

Data and specifications subject to change without notice. 12/6/2000