

勝特力材料 886-3-5753170  
 勝特力电子(上海) 86-21-54151736  
 勝特力电子(深圳) 86-755-83298787  
 Http://www.100y.com.tw

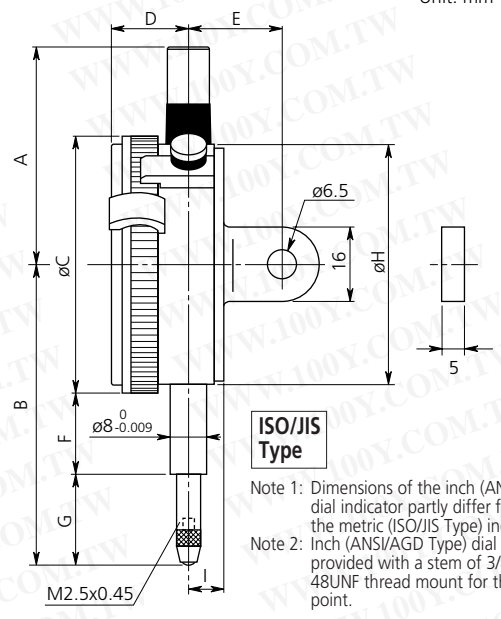
# Dial Indicators

## SERIES 2



### Dimensions

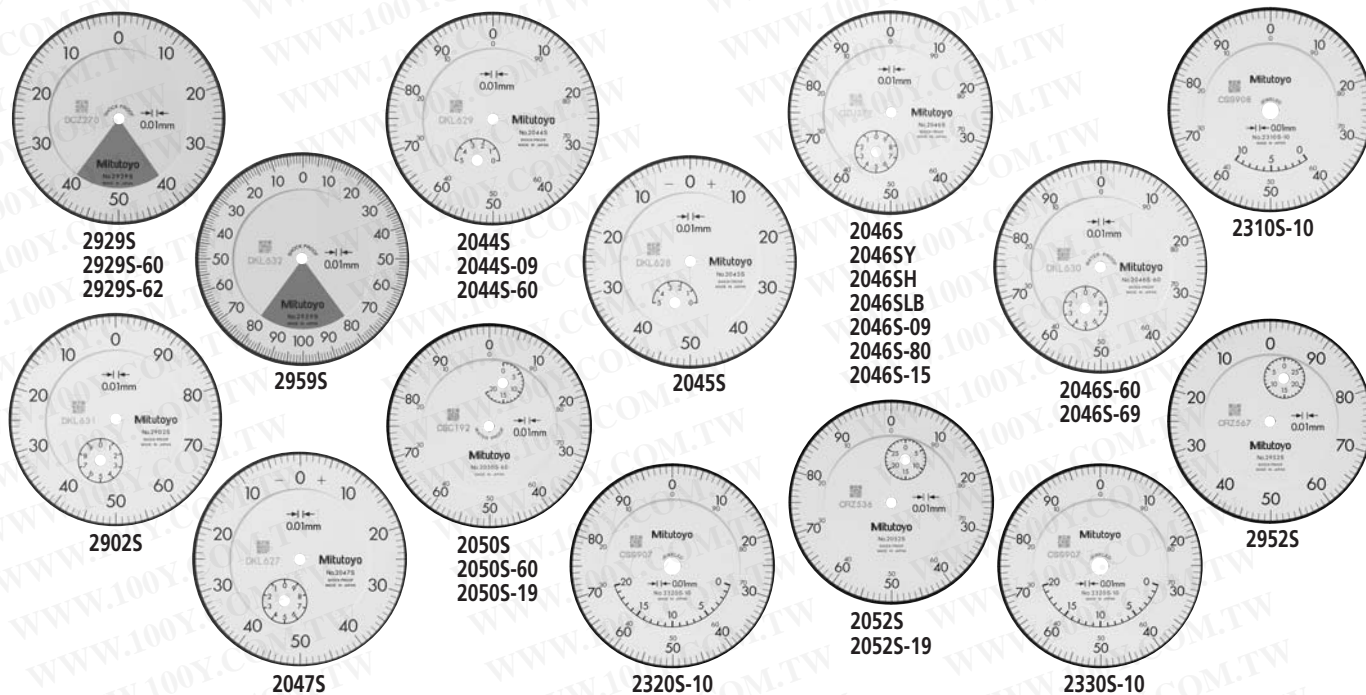
Unit: mm



Order No.	A	B	C	D	E	F	G	H	I
2929S	48.8	65.2	57	17.7	20	16.9	19.8	52	7.6
2929S-62	48.8	65.2	57	17.7	20	16.9	19.8	52	7.6
2929S-60	48.8	70	57	17.7	20	12.3	39.2	52	7.6
2959S	48.8	65.2	57	17.7	20	16.9	19.8	52	7.6
2044S	48.8	65.2	57	17.7	20	16.9	19.8	52	7.6
2044S-09	48.8	65.2	57	17.7	20	16.9	19.8	52	7.6
2044S-60	48.8	70	57	17.7	20	12.3	29.2	52	7.6
2045S	48.8	65.2	57	17.7	20	16.9	19.8	52	7.6
2046S	48.8	65.2	57	17.7	20	16.9	19.8	52	7.6
2046SH	48.8	65.2	57	17.7	20	16.9	19.8	52	7.6
2046SLB	48.8	85.2	57	17.7	—	36.9	19.8	52	7.6
2046S-09	48.8	65.2	57	17.7	20	16.9	19.8	52	7.6
2046S-60	48.8	70	57	17.7	20	12.3	29.2	52	7.6
2046S-69	48.8	70	57	17.7	20	12.3	29.2	52	7.6
2046S-80	59.8	65.2	57	17.7	20	16.9	19.8	52	7.6
2046S-15	48.8	65.2	57	17.7	20	16.9	19.8	52	7.6
2048S-10	47.4	64.9	57	17.7	20	16.9	19.8	52	7.6
2310S-10	48.8	65.2	57	17.7	20	16.9	19.5	52	7.6
2902S	48.8	65.2	57	17.7	20	16.9	19.8	52	7.6
2047S	48.8	65.2	57	17.7	20	16.9	19.8	52	7.6
2050S	38.8	75.2	57	17.7	20	16.9	29.8	52	7.6
2050S-60	59.8	87.2	57	17.7	20	12.3	46.4	52	7.6
2050S-19	38.8	75.2	57	17.7	20	16.9	29.8	52	7.6
2320S-10	38.8	75.2	57	17.7	20	16.9	29.8	52	7.6
2052S	38.8	88.7	57	17.7	20	16.9	43.3	52	7.6
2052S-19	38.8	88.7	57	17.7	20	16.9	43.3	52	7.6
2330S-10	38.8	88.7	57	17.7	20	16.9	43.3	52	7.6
2952S	38.8	88.7	57	17.7	20	16.9	43.3	52	7.6

Series 2 dial indicators are Mitutoyo's most popular, and have the widest application. Especially the "one revolution" dial indicator is developed for in-process measuring. This indicator features a hand that makes only one revolution throughout the entire spindle range. This prevents costly measuring errors made with indicators whose hands make as many as 2 - 1/2 revolutions.

- High Precision Type
- Reverse Reading
- Balanced Dial
- Continuous Dial
- One Revolution
- Damper at Lowest Rest Point
- Shockproof
- Adjustable Hand
- Waterproof
- Doubled Scale Spacing
- Coaxial Revolution Counter
- Peak Retaining
- Long Stem
- Dustproof
- Jeweled
- Low Force



## SPECIFICATIONS

Metric ISO/JIS

Graduation	Range	Order No.		Range per revolution	Dial reading	Accuracy	Measuring force	Remarks
		Lug-Back	Flat-back					
0.01mm	1mm	2929S	2929SB	—	50-0-50	±10μm	1.4N or less	
		2929S-60	2929SB-60	—	50-0-50	±10μm	1.4N or less	
		2929S-62	2929SB-62	—	50-0-50	±10μm	1.4N or less	
	1.6mm	2959S	2959SB	—	80-0-80	±14μm	1.4N or less	
		5mm	2044S	2044SB	1mm	0-100 (100-0)	±12μm	1.4N or less
	2044S-09		2044SB-09	1mm	0-100 (100-0)	±13μm	1.4N or less	
	2044S-60		2044SB-60	1mm	0-100 (100-0)	±12μm	1.4N or less	
	10mm	2045S	2045SB	1mm	0-50-0	±12μm	1.4N or less	
			2046S	2046SB	1mm	0-100 (100-0)	±13μm	1.4N or less
		2046SY	2046SYB	1mm	0-100 (100-0)	±13μm	1.4N or less	
		2046SH	2046SHB	1mm	0-100 (100-0)	±8μm	1.4N or less	
		—	2046SLB	1mm	0-100 (100-0)	±13μm	1.4N or less	
		2046S-09	2046SB-09	1mm	0-100 (100-0)	±15μm	1.4N or less	
		2046S-60	2046SB-60	1mm	0-100 (100-0)	±13μm	2.5N or less	
	20mm	2046S-69	2046SB-69	1mm	0-100 (100-0)	±15μm	2.5N or less	
			2046S-80	2046SB-80	1mm	0-100 (100-0)	±15μm	5.0N
		2046S-15	2046SB-15	1mm	0-100 (100-0)	±15μm	0.8N or less	
		2048S-10	2048SB-10	1mm	0-100 (100-0)	±15μm	1.4N or less	
		2310S-10	2310SB-10	1mm	0-100	±15μm	1.4N or less	
		2902S	2902SB	1mm	100-0	±13μm	1.4N or less	
2047S		2047SB	1mm	0-50-0	±13μm	1.4N or less		
30mm	2050S	2050SB	1mm	0-100 (100-0)	±20μm	2.0N or less		
		2050S-60	2050SB-60	1mm	0-100 (100-0)	±20μm	2.2N or less	
	2050S-19	2050SB-19	1mm	0-100 (100-0)	±20μm	2.0N or less		
	2320S-10	2320SB-10	1mm	0-100	±20μm	2.0N or less		
30mm	2052S	2052SB	1mm	0-100 (100-0)	±25μm	2.5N or less		
		2052S-19	2052SB-19	1mm	0-100 (100-0)	±25μm	2.2N or less	
	2330S-10	2330SB-10	1mm	0-100	±25μm	2.5N or less		
	2952S	2952SB	1mm	100-0	±25μm	2.5N or less		

勝特力材料 886-3-5753170  
 勝特力电子(上海) 86-21-54151736  
 勝特力电子(深圳) 86-755-83298787  
[Http://www.100y.com.tw](http://www.100y.com.tw)

	High Precision Type		Reverse Reading		Balanced Dial		Continuous Dial		One Revolution
	Damper at Lowest Rest Point		Shockproof		Adjustable Hand		Waterproof		Doubled Scale Spacing
	Coaxial Revolution Counter		Peak Retaining		Long Stem		Dustproof		Jeweled
			Low Force						

DIAL INDICATORS