

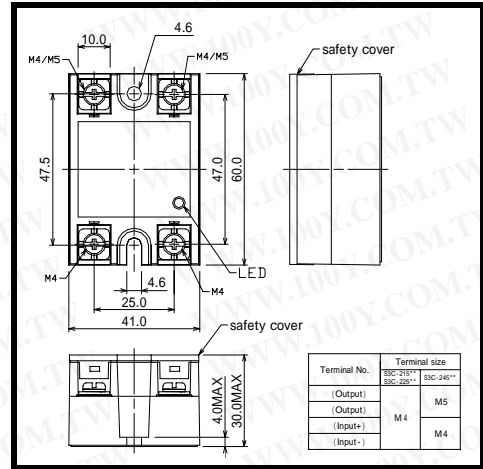
New Product

Single Phase SSR for AC Input

Features

1. AC input type is added to S3C series item line
Available for operation both with AC100V / 200V input signal
2. Common dimensions with DC input type
Same form and dimensions with DC input type and small-sized panel is attachable
3. Safety features
Varistor and CR effectively absorb external surges
Terminal safety cover prevents electric shock
4. Operation indication lamp
LED display indicates the normal operation
5. International safety standard
UL/c-UL/VDE application is scheduled

Dimensions (Unit: mm)



Specifications

1. Absolute maximum ratings

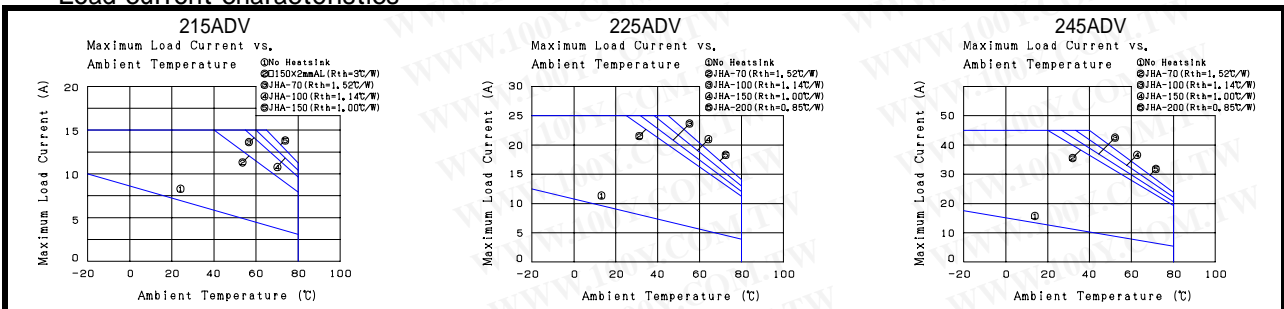
Item	Symbol	S3C-215ADV	S3C-225ADV	S3C-245ADV	Note
Max. input voltage/current	Vin/lin	AC 264V/5mA			
Max. load voltage	VL	AC 264Vrms			
Max. load current	IL	15A	25A	45A	
1 cycle surge-on current	Isurge	150A	225A	440A	50/60Hz
Isolation resistance	Riso	100M and above (DC500V) * Between input to output			
Dielectric strength	Viso	AC3000Vrms / 1 min. * Within input, output and case			
Operation temperature range	Topr	-20 ~ +80 (With no icing or condensation)			
Storage temperature range	Tstg	-30 ~ +100 (With no icing or condensation)			

2. Characteristics

(Ta=25 °C)

Item	S3C-215ADV	S3C-225ADV	S3C-245ADV	Note
Input voltage range	AC 85 ~ 264Vrms			
Load voltage range	AC 85 ~ 264Vrms			
Off state leakage current	12mA and below (Vo = 200V)			
On state voltage drop	1.5Vrms and below			
Min. load current	100mA			
Zero-cross function	Built-in			
International safety standard	UL, c-UL, VDE application is scheduled			

Load current characteristics



* Above description is subject to change without notice for remodeling.