

**MAXIMUM ELECTRIC CURRENT:**

A.W.G.	22	20	18	16	14	12	10
AMP.	9	12	17	18	30	35	50

**MAXIMUM ELECTRICAL RATING:** 75°C 600 VOLTS  
 MAX.

**INSULATION MATERIAL:** VINYL

**INSULATION COLOR:**

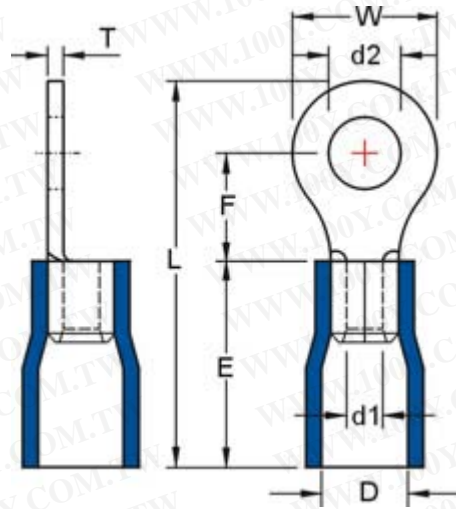
22-16 A.W.G.: RED ■ 16-14 A.W.G.: BLUE



14-12 A.W.G.: BLACK ■ 12-10 A.W.G.:

YELLOW ■

**TERMINAL MATERIAL:** COPPER



Product List (Total: 1 records)

WIRE RANGE A.W.G. mm <sup>2</sup>	ITEM NO.		STUD SIZE		DIMENSION inch(mm)	Q'TY BOX
	BRAZED SEAM	BUTTED SEAM	d2		W	
22-16 A.W.G. 0.5-1.5 mm <sup>2</sup>	RVBL1-5	RVL1-5	#10	0.209 5.3	0.457 11.60	1000