





HIGH PERFORMANCE DELAY ON TIMER

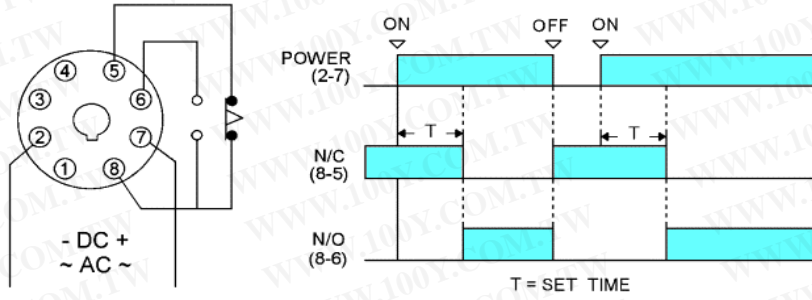
(Mono-Function/Time Range/Working Voltage)

Model No.	CAH3	CSTP
Classification		
Appearance		
Dimensions	Surface mounting type : FIG. 2 Flush mounting type : FIG. 3	Surface mounting type : FIG. 4 Flush mounting type : FIG. 5
Surface mounting	Socket base PF085A	Socket base 8PFA
Flush mounting	Socket base P3G08 or US08	Socket base P3G08 or US08
Rated time range	Wide variety of timing ranges From 0.1S TO 10Hr	Wide variety of timing ranges From 0.1S TO 24Hr
Output Capacity 7A 250VAC	CAH3-N1/Y1 SPDT(Time-limit contacts) CAH3-N2/Y2 Mode A: DPDT Mode B: Instantaneous contact + SPDT	CSTP-N1/Y1 SPDT(Time-limit contacts) CSTP-N2/Y2 DPDT CSTP-N3/Y3 Instantaneous contact + SPDT
Rated Voltage	50/60HZ 12VDC, 24VAC/DC, 110VAC, 220VAC (Range : 85% - 110%)	
L I F E	Mechanical	10,000,000 Times
	Electrical AC220VPF=1	500,000 Times
A C C U R A N C Y	Repeat	± 0.2% Max
	Setting	± 5% Max
	Voltage	± 0.5% Max
	Temperature	± 2% Max
Reset time	0.1 Sec Max	
Ambient temp. & Humidity	-10~55Deg.C , 85% Max	

勝特力材料 886-3-5753170
 勝特力电子(上海) 86-21-54151736
 勝特力电子(深圳) 86-755-83298787
[Http://www.100y.com.tw](http://www.100y.com.tw)

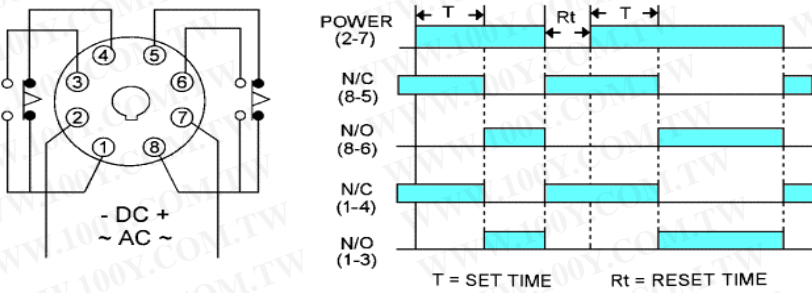
CONNECTION DIAGRAM & TIMING CHART

SPDT: CAH3-N1 CAH3-Y1 CSTP-N1 CSTP-Y1



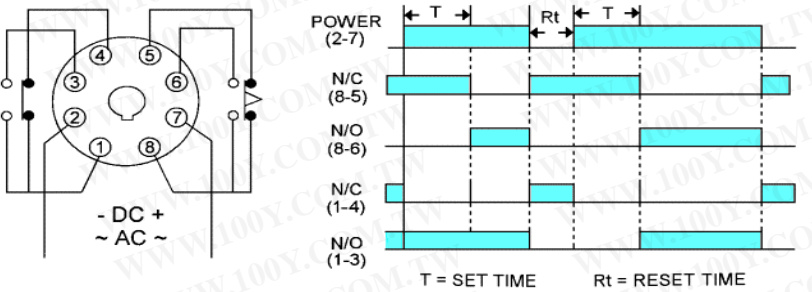
DPDT:

CAH3-N2 (MODE A) CAH3-Y2 (MODE A) CSTP-N2 CSTP-Y2

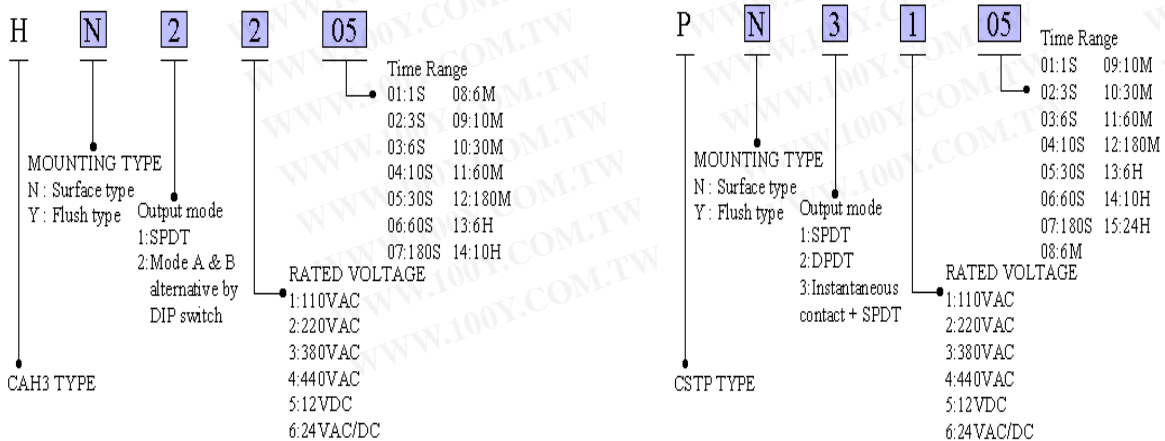


INSTANTANEOUS CONTACT + SPDT:

CAH3-N2 (MODE B) CAH3-Y2 (MODE B) CSTP-N2 CSTP-Y2



ORDERING CODE



勝特力材料 886-3-5753170
勝特力电子(上海) 86-21-54151736
勝特力电子(深圳) 86-755-83298787
[Http://www.100y.com.tw](http://www.100y.com.tw)