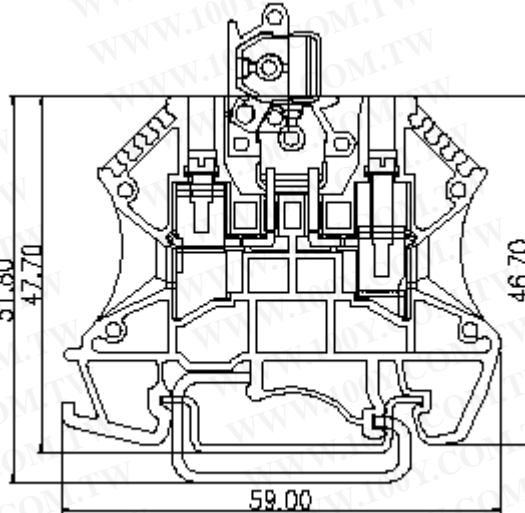


## KDK2.5 - FUSE & SWITCH / Din Rail screw type TB

Rated (UL)	600V / 15A
(IEC)	800V / 16A
Suitable Wire	22 ~ 12 AWG (2.5mm <sup>2</sup> )
Torque Value	4 kg-cm
Material	Polyamide, UL 94(V0)
Screw Size	M 2.5
Rail Type	TS-35,TS-32
Temperature	-40C° ~ +105C°
Thickness	5.0mm



勝特力材料 886-3-5753170  
勝特力电子(上海) 86-21-54151736  
勝特力电子(深圳) 86-755-83298787  
[Http://www.100y.com.tw](http://www.100y.com.tw)