

AC SOLID STATE RELAY

KR2010AX
KR2015AX
KR2025AX
KR2040AX

KR SERIES



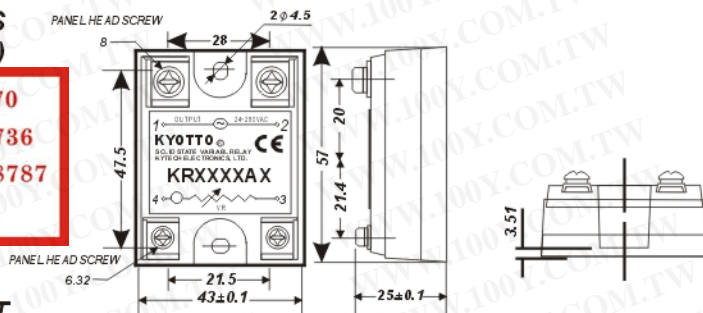
SPECIFICATIONS

MODEL NO.	CONTROL IMPEDANCE	MUST TURN OFF VOLTAGE	INPUT IMPEDANCE	MAX LOAD CURRENT	LOAD VOLTAGE RANGE	MIN BLOCKING VOLTAGE	MAX OFF-STATE LEAKAGE	FREQUENCY RANGE	MAX 1-CYCLE PEAK SURGE
KR2010AX	VR0-500KΩ	MAX10 VAC	1.5 Kohm	10A	24-280VAC	600VAC	LESS 5mA	47-70HZ	100A
KR2015AX	VR0-500KΩ	MAX10 VAC	1.5 Kohm	15A	24-280VAC	600VAC	LESS 5mA	47-70HZ	160A
KR2025AX	VR0-500KΩ	MAX10 VAC	1.5 Kohm	25A	24-280VAC	600VAC	LESS 5mA	47-70HZ	260A
KR2040AX	VR0-500KΩ	MAX10 VAC	1.5 Kohm	40A	24-280VAC	600VAC	LESS 5mA	47-70HZ	400A

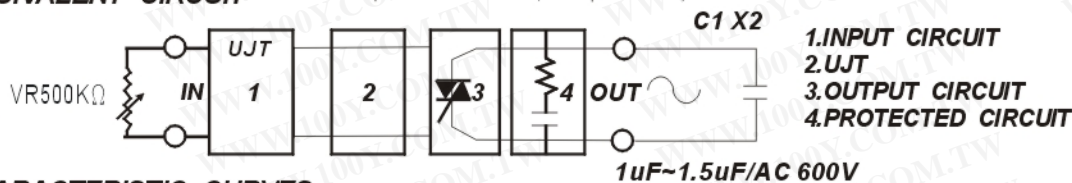
MODEL NO.	MAX OFF STATE dv/dt	MAX ON-STATE VOLTAGE DROP	ISOLATE IMPEDENCE	DIELECTRIC STRENGTH INPUT-OUTPUT	DIELECTRIC STRENGTH INPUT-OUTPUT-CASE	TURN ON TIME	TURN OFF TIME	CAPACITANCE IN-OUT	WEIGHT (g)
KR2010AX	200V / μsec	2.0VACrms	10 ⁹ ohm	4000 VACrms	2500 VACrms	LESS 2 mSec	LESS 1/2 AC CYCLE	LESS 15 PF	92 g
KR2015AX	200V / μsec	2.0VACrms	10 ⁹ ohm	4000 VACrms	2500 VACrms	LESS 2 mSec	LESS 1/2 AC CYCLE	LESS 15 PF	92 g
KR2025AX	200V / μsec	2.0VACrms	10 ⁹ ohm	4000 VACrms	2500 VACrms	LESS 2 mSec	LESS 1/2 AC CYCLE	LESS 15 PF	95 g
KR2040AX	200V / μsec	2.0VACrms	10 ⁹ ohm	4000 VACrms	2500 VACrms	LESS 2 mSec	LESS 1/2 AC CYCLE	LESS 15 PF	95 g

OUTLINE DIMENSIONS (unit:mm)

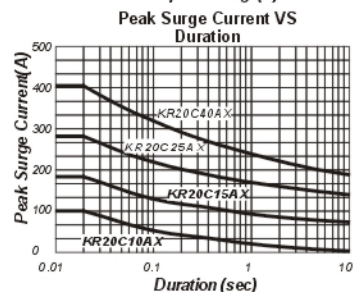
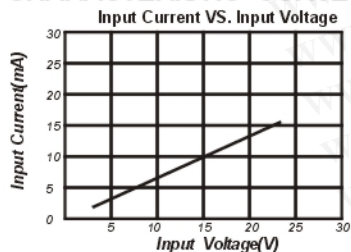
勝特力材料 886-3-5753170
 勝特力电子(上海) 86-21-54151736
 勝特力电子(深圳) 86-755-83298787
[Http://www.100y.com.tw](http://www.100y.com.tw)



EQUIVALENT CIRCUIT



CHARACTERISTIC CURVES



Attention:
 In order to be in compliance with the EMC Directive an additional X2 capacitor at the output is required if the SSR is operated as single component. In case the SSR is incorporated in an appliance the existing EMI filter may provide the required EMI suppression. The X2 capacitor must be placed as close as possible to the output terminals. See also above.

