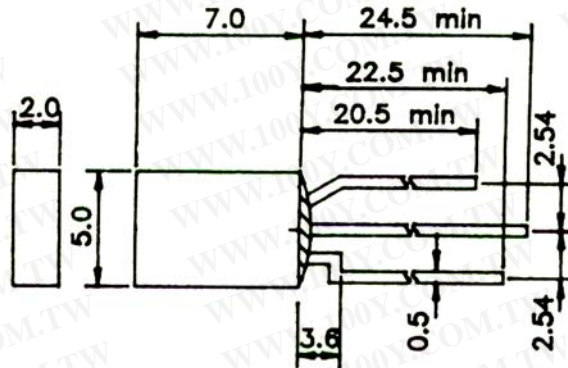


RECTANGULAR TYPE (2.0X5.0)



勝特力材料 886-3-5753170
 勝特力电子(上海) 86-21-54151736
 勝特力电子(深圳) 86-755-83298787
[Http://www.100y.com.tw](http://www.100y.com.tw)

EMITTING		COMMON ANODE	BI-COLOR	COMMON CATHODE	BI-COLOR	WAVE LENGTH	IR MAX	VF(V) TYP	INTENSITY (mcd)
DICE	COLOR	WATER CLEAR	MILKY	WATER CLEAR	MILKY	⊙IF=20mA	⊙VR=5V	⊙IF=20mA	⊙IF=10mA
Gap	GREEN		L246DM		L245DM	565 nm	100uA	2.2V	3.5
Gap	YELLOW						600 nm	100uA	2.1V
GaAsp/Gap	ORANGE		L246CM		* L245CM	635 nm	100uA	2.0V	3.0
Gap	GREEN						565 nm	100uA	2.2V
Gap	GREEN		L246BM		L245BM	565 nm	100uA	2.2V	3.5
Gap	RED						695 nm	100uA	2.2V