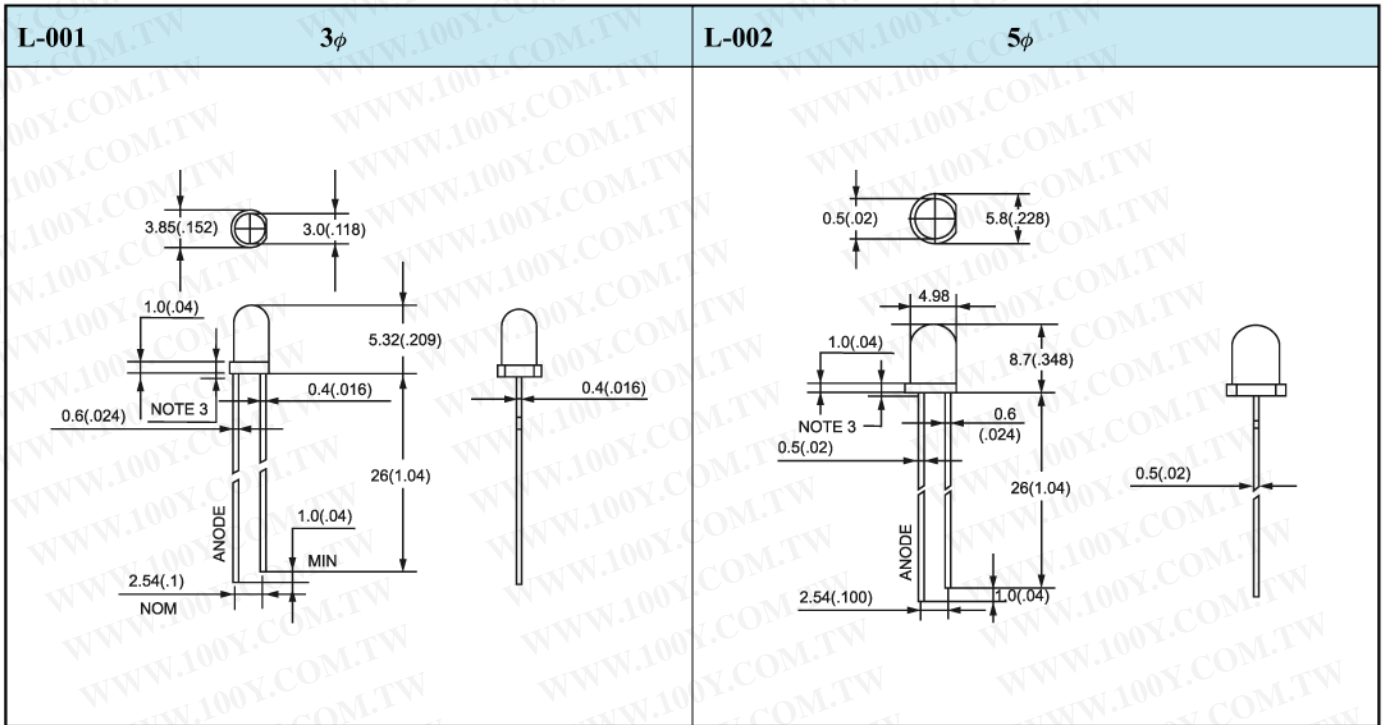


ULTRA BRIGHT LED LAMPS (ROUND TYPES)

Package	Part No.	Chip		Lens Appearance	Absolute Maximum Ratings				Electro-optical Data (At 20mA)			Viewing Angle 2θ 1/2 (deg)	Drawing No.
		Material/Emitted Color	Peak Wave Length λp (nm)		Δλ (nm)	Pd (mw)	If (mA)	Peak (mA)	Vf (V)		Iv (mcd)		
									Typ	Max	Typ.		
3 φ	1L034FV23D0CA001	AlGaInP/Red	622	Water Clear	25	120	30	100	1.9	2.4	2000	20	L-001
	1L034FV22D0CA004	AlGaInP/Red	622		25	120	30	100	2.0	2.4	3000	25	
	1L034FV22F0CA201	AlGaInP/Red	622		25	120	30	100	1.9	2.4	5000	30	
	1L034FV22G0CA001	AlGaInP/Red	622		25	120	30	100	1.9	2.4	6500	20	
	1L0341V24H0CA001	AlGaInP/Red	622		25	120	30	100	1.9	2.4	7000	15	
	1L0341V32B0CA001	AlGaInP/Red	630		25	100	30	100	1.8	2.4	900	15	
	1L034FV41D0CA201	AlGaInP/Red	630		25	100	30	100	2.2	2.6	2200	20	
	1L0341G43A0CA202	AlGaInP/Green	569		25	120	30	100	1.9	2.4	700	15	
	1L0345G52D0CA001	InGaIn/Green	500		30	120	30	100	3.2	3.8	5500	20	
	1L0345G62B0CA001	InGaIn/Green	515		30	120	30	100	3.2	3.8	3500	15	
	1L0345G72C0CA201	InGaIn/Green	528		30	120	30	100	3.2	3.8	4000	20	
	1L034FG72E0CA001	InGaIn/Green	528		30	120	30	100	3.2	3.8	6000	45	
	1L034FG72E0CA002	InGaIn/Green	528		25	120	30	100	3.2	3.8	9000	20	
	1L0341Y21A0CC201	AlGaInP/Yellow	590		25	80	30	100	1.9	2.4	900	30	
	1L0341Y22C0CA003	AlGaInP/Yellow	590		25	100	30	100	2.0	2.4	1800	25	
	1L0341Y23D0CC001	AlGaInP/Yellow	590		25	100	30	100	2.0	2.4	2000	40	
	1L034FY23E0CA201	AlGaInP/Yellow	590		25	120	30	100	2.0	2.4	2400	20	
	1L034CA21A0CA001	AlGaInP/Amber	605		25	80	30	100	2.0	2.4	1200	20	
	1L0341A23D0CA201	AlGaInP/Amber	605		25	120	30	100	1.8	2.4	2500	15	
	1L034FA23D0CA001	AlGaInP/Amber	605		25	120	30	100	2.0	2.4	1900	20	
1L0345B11A0CA201	InGaIn/Blue	468	30	120	30	100	3.2	3.8	1000	15			
1L0345B12E0CA201	InGaIn/Blue	466	30	120	30	100	3.0	3.8	1700	20			
1L0345B12E0CC203	InGaIn/Blue	468	30	120	30	100	3.2	3.8	2000	25			
1L034FB12E0CA003	InGaIn/Blue	466	30	120	30	100	3.2	3.8	2000	30			
5 φ	1L053BV24H0CA002	AlGaInP/Red	622	Water Clear	25	120	30	100	1.9	2.4	4500	30	L-002
	1L0534V22F0CA001	AlGaInP/Red	625		25	120	30	100	1.9	2.4	8500	15	
	1L0534V22D0CA003	AlGaInP/Red	625		25	100	30	100	1.9	2.4	3500	15	
	1L0534V22D0CA004	AlGaInP/Red	622		25	100	30	100	1.9	2.4	2500	20	
	1L0531V22D0CA201	AlGaInP/Red	625		25	100	30	100	1.9	2.4	1000	45	
	1L0544V24G0CA001	AlGaInP/Red	625		25	120	30	100	1.9	2.4	1100	60	
	1L0534V32B0CA201	AlGaInP/Red	628		25	100	30	100	1.85	2.4	3500	15	
	1L0545G62E0CA002	InGaIn/Green	515		30	120	30	100	3.2	3.8	22000	15	
	1L0545G72C0CA202	InGaIn/Green	528		30	120	30	100	3.2	3.8	11000	15	
	1L0545G72E0CA001	InGaIn/Green	525		30	120	30	100	3.2	3.8	18000	15	
	1L0534Y22C0CA201	AlGaInP/Yellow	590		25	100	30	100	2.0	2.4	4500	15	
	1L0534Y22C0CC001	AlGaInP/Yellow	590		25	100	30	100	1.9	2.4	1000	30	
	1L0534Y23D0CA003	AlGaInP/Yellow	590		25	120	30	100	1.9	2.4	6500	25	
	1L0531Y23F0CA002	AlGaInP/Yellow	590		25	120	30	100	1.9	2.4	1700	45	
	1L0534A21A0CA201	AlGaInP/Amber	605		25	80	30	100	2.0	2.4	4000	15	
	1L0534A22E0CA001	AlGaInP/Amber	605		25	100	30	100	2.0	2.4	5500	15	
	1L0534A22E0CA002	AlGaInP/Amber	605		25	100	30	100	1.9	2.4	8000	10	
	1L0531A23D0CA201	AlGaInP/Amber	606		25	120	30	100	1.9	2.4	1300	45	
	1L0545B21A0CA003	InGaIn/Blue	475		30	120	30	100	3.2	3.8	5000	15	
	1L0545B11A0CA001	InGaIn/Blue	465		30	120	30	100	3.2	3.8	4000	20	
1L0545B12C0CA201	InGaIn/Blue	467	30	120	30	100	3.2	3.8	3800	15			
1L0545B12E0CA201	InGaIn/Blue	465	30	120	30	100	3.2	3.8	5500	15			
1L0545B12E0CR201	InGaIn/Blue	465	25	120	30	100	3.2	3.8	1800	40			
1L0545B22F0CR001	InGaIn/Blue	476	30	120	30	100	3.2	3.8	3000	30			

ULTRA BRIGHT LED LAMPS



- Notes: 1. All dimensions are in millimeters (inches).
 2. Tolerance is $\pm 0.25\text{mm}$ (.010)mm unless otherwise noted.
 3. Protruded resin under flange is 1.0mm (.04) max.

勝特力材料 886-3-5753170
 勝特力电子(上海) 86-21-34970699
 勝特力电子(深圳) 86-755-83298787
[Http://www.100y.com.tw](http://www.100y.com.tw)