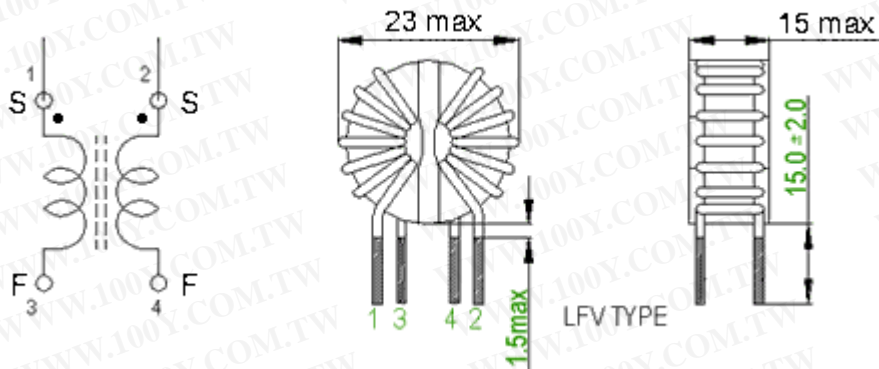




勝特力材料 886-3-5753170
 勝特力电子(上海) 86-21-54151736
 勝特力电子(深圳) 86-755-83298787
[Http://www.100y.com.tw](http://www.100y.com.tw)

LF TYPE 1 (LINE FILTER)

Shape and size : (Dimensions are in mm)



Ordering information :

LF V - 102U - 2A
(1) (2) (3) (4)

(1)Type : Line filter .
 (2)Style:

"V" is vertical structure;

"H" is horizontal structure ;

"U10" is core type ;

Others:"V129";"LV";"LH";"U16"

(3)Inductance : 102 for 1000 uH .

(4)Rated current : In Amps .

Application :

- Suppresses noise in DC circuits for switching regulators Protects primary AC side from being affected by a switching regulator Filters noise emitting from Ultrasonic equipment Filters electrostatic noise from Power and signal lines Eliminates contact noise Filters incoming spike noise for ICs and equipment using microcomputers Minimizes noise emissions for conforming to FCC, VCCI, FTZ, CISPR, JTTC and VDE.
- Minimizes noise emissions from inverters
Applied Equipment: TV, VCR, Switching Power sources, NC machines, Computer systems, Peripheral units and Measuring instruments

Features :

- Line filters suppressing conductive noise ranging from low to high frequencies generated at power supply circuits of various electronic equipment . Wide inductance range . Current up to 15 Amps . Many styles available . High levels of safety and reliability
- Easy PC Board Mounting
Available as vertically or horizontally mounted.

Characteristics :

- Inductance range : Up to 30 mH . Rated current : Based on temperature rise not to exceed at 45oC . Insulation : AC 2000V 1 minute between line & line . Insulation Resistance: 100 M Ω min when DC 500V between line & line . Operating temperature : -25oC to 105oC .
- Test equipment :
Inductance tested by CH100 LCR meter .

勝特力材料 886-3-5753170
勝特力电子(上海) 86-21-54151736
勝特力电子(深圳) 86-755-83298787
[Http://www.100y.com.tw](http://www.100y.com.tw)