

LMC-SSC4A20	20 CHARS × 4 LINES	1/16 DUTY	1/4 BIAS
-------------	--------------------	-----------	----------

勝特力材料 886-3-5753170
 勝特力电子(上海) 86-21-54151736
 勝特力电子(深圳) 86-755-83298787
[Http://www.100y.com.tw](http://www.100y.com.tw)

1.FEATURE:

LCD MODE	TN/STN
BACKLIGHT TYPE	LED BACKLIGHT
CHARACTER FONTS	5×8 DOTS (WITH CURSOR)
CONTROLLER	SED1278 OR EQUIVALENT
POWER SUPPLY FOR LCM	DC +5V
LED BACKLIGHT INPUT	DC +5V
EL BACKLIGHT INPUT	-
EL INVERTER	-

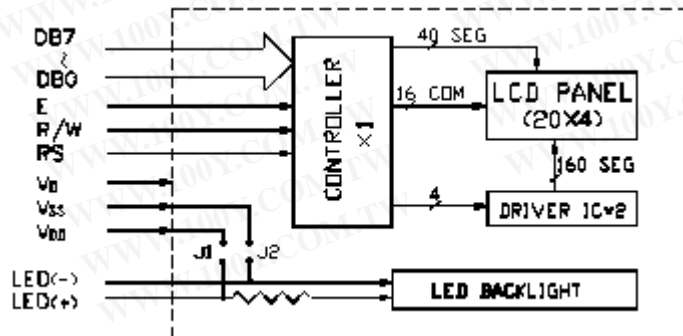
2.ELECTRICAL CHARACTERISTICS:

ITEM	SYM	CONDITION	MIN	TYP	MAX	UNIT
SUPPLY VOLTAGE FOR LCD	VDD-VO	Ta=0°C	-	4.6	-	V
		Ta=25°C	-	4.4	-	V
		Ta=50°C	-	4.2	-	V
INPUT VOLTAGE	VI	-	4.5	5.0	5.5	V
INPUT HIGH VOL	VIH	-	2.2	-	VDD	V
INPUT LOW VOL	VIL	-	0	-	0.6	V
OUTPUT HIGH VOL	VOH	-	2.4	-	-	V
OUTPUT LOW VOL	VOL	-	-	-	0.4	V
SUPPLY CURRENT	IDD	VDD=5v	-	4.5	6.0	mA
LED CURRENT	IF	Ta=25°C	-	240	-	mA
LED DISSIPATION	PD	Ta=25°C	-	1200	-	mW

3.ABSOLUTE MAXIMUM RATINGS:

ITEM	SYMBOL	MIN	TYP	MAX	UNIT
OPERATING TEMP	TOP	0	-	50	°C
STORAGE TEMP.	TST	-10	-	60	°C
INPUT VOLTAGE	VI	VSS	-	VDD	V
SUPPLY VOL-LOGIC	VDD-VSS	-	5.0	6.5	V
SUPPLY VOL-LCD	VDD-VO	-	-	6.5	V

4.BLOCK DIAGRAM:



5.INTERFACE PIN CONNECTIONS:

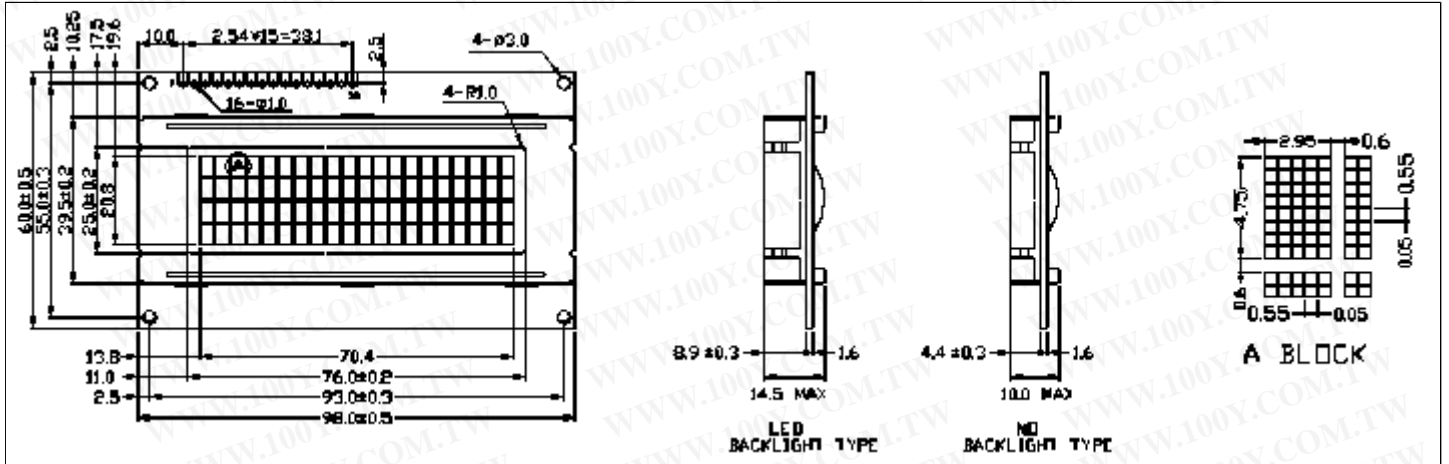
NO	SYM	LEVEL	FUNCTION	NO	SYM	LEVEL	FUNCTION
1	VSS	-	0V	9	DB2	H/L	DATA BIT2
2	VDD	-	5V	10	DB3	H/L	DATA BIT3
3	VO	-	CONTRAST ADJ	11	DB4	H/L	DATA BIT4

5	R/W	H/L	READ/WRITE	13	DB6	H/L	DATA BIT6
6	E	H.H->L	ENABLE SIGNAL	14	DB7	H/L	DATA BIT7
7	DB0	H/L	DATA BIT0	15	A(+)	5V	BACKLIGHT
8	DB1	H/L	DATA BIT1	16	K(-)	0V	BACKLIGHT

6.DISPLAY CHARACTER ADDRESS CODE:

	1	2	3	4	5	6	7	8	9	10	11	12	13	14	15	16	17	18	19	20
L1	80	81	82	83	84	85	86	87	88	89	8A	8B	8C	8D	8E	8F	90	91	92	93
L2	C0	C1	C2	C3	C4	C5	C6	C7	C8	C9	CA	CB	CC	CD	CE	CF	D0	D1	D2	D3
L3	94	95	96	97	98	99	9A	9B	9C	9D	9E	9F	A0	A1	A2	A3	A4	A5	A6	A7
L4	D4	D5	D6	D7	D8	D9	DA	DB	DC	DD	DE	DF	E0	E1	E2	E3	E4	E5	E6	E7

7.DIMENSIONAL DRAWING:



勝特力材料 886-3-5753170
 勝特力电子(上海) 86-21-54151736
 勝特力电子(深圳) 86-755-83298787
[Http://www.100y.com.tw](http://www.100y.com.tw)