



M27C1024

1 Mbit (64Kb x 16) UV EPROM and OTP EPROM

DATA BRIEFING

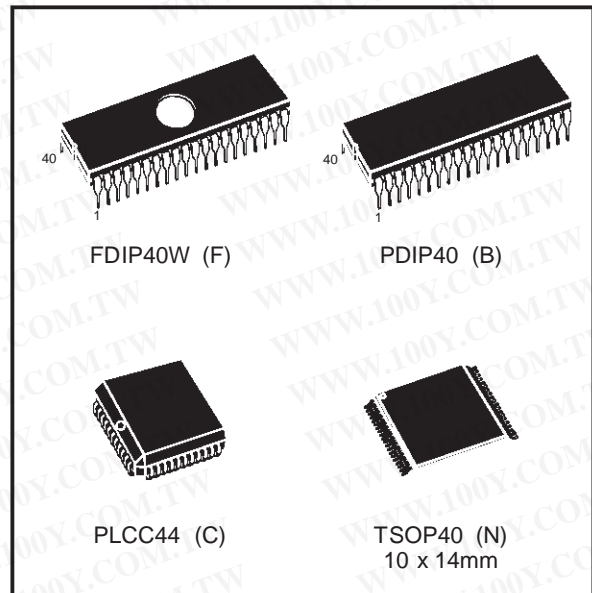
- 5V ± 10% SUPPLY VOLTAGE in READ OPERATION
- FAST ACCESS TIME: 35ns
- LOW POWER CONSUMPTION:
 - Active Current 35mA
 - Standby Current 100µA
- PROGRAMMING VOLTAGE: 12.75V ± 0.25V
- PROGRAMMING TIME of AROUND 6 sec. (PRESTO II Algorithm)
- ELECTRONIC SIGNATURE
 - Manufacturer Code: 0020h
 - Device Code: 008Ch

DESCRIPTION

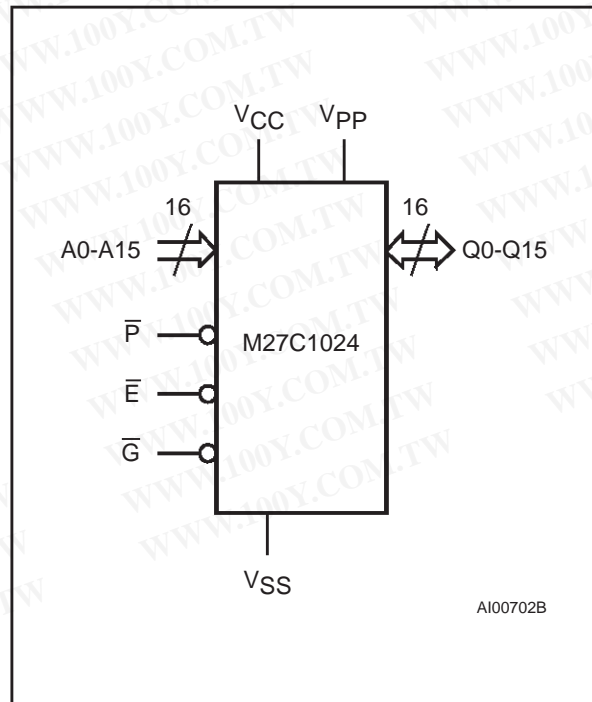
The M27C1024 is a 1 Mbit EPROM offered in the two ranges UV (ultra violet erase) and OTP (one time programmable). It is ideally suited for micro-processor systems requiring large data or program storage and is organized as 65,536 words by 16 bits.

The FDIP40W (window ceramic frit-seal package) has a transparent lid which allows the user to expose the chip to ultraviolet light to erase the bit pattern. A new pattern can then be written to the device by following the programming procedure.

For application where the content is programmed only one time and erasure is not required, the M27C1024 is offered in PDIP40, PLCC44 and TSOP40 (10 x 14mm) packages.

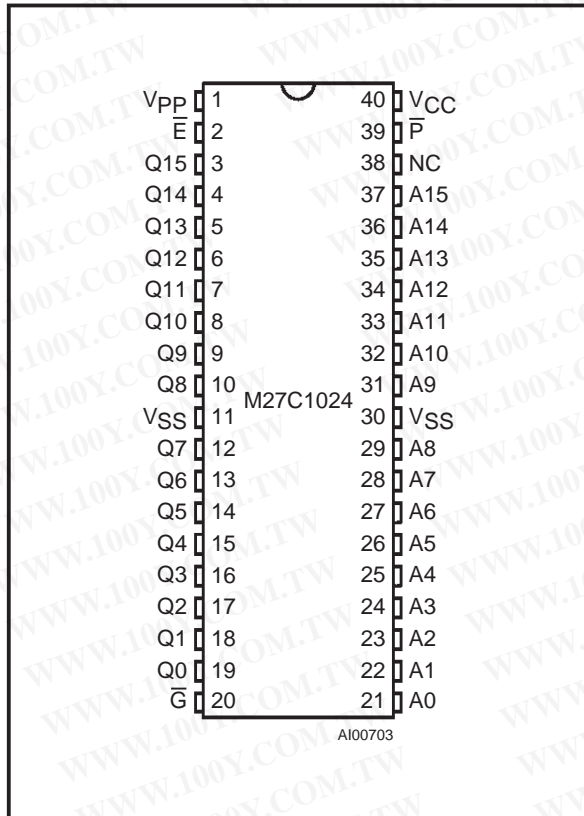


Logic Diagram



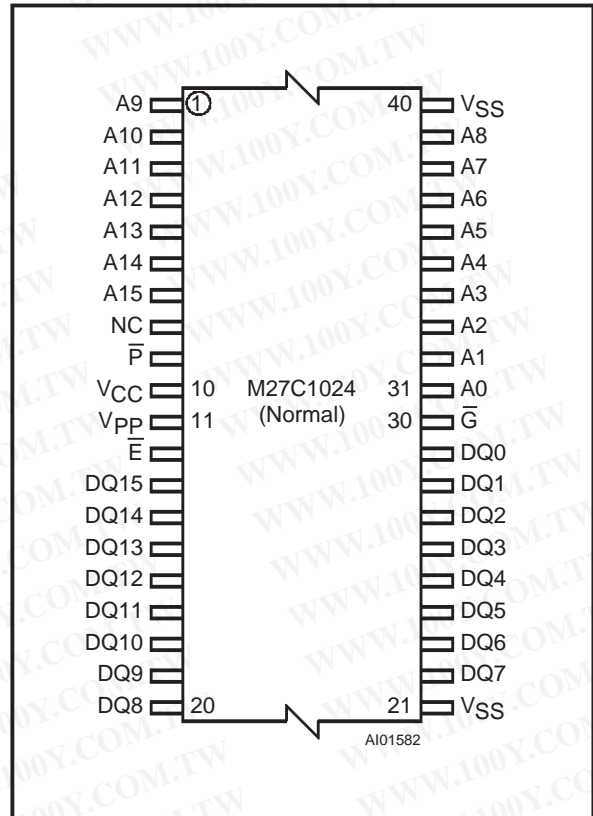
M27C1024

DIP Pin Connections



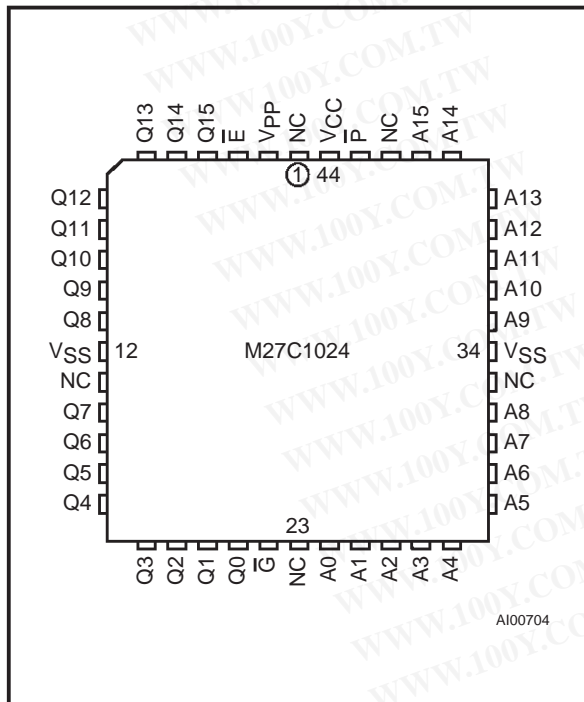
Warning: NC = Not Connected.

TSOP Pin Connections



Warning: NC = Not Connected.

LCC Pin Connections



Warning: NC = Not Connected.

Signal Names

A0-A15	Address Inputs
Q0-Q15	Data Outputs
\bar{E}	Chip Enable
\bar{G}	Output Enable
\bar{P}	Program
V_{PP}	Program Supply
V_{CC}	Supply Voltage
V_{SS}	Ground

ORDERING INFORMATION SCHEME

Example: M27C1024 -12 X C 1 X

Speed		V _{CC} Tolerance		Package		Temperature Range		Option	
-35 ⁽¹⁾	35ns	blank	± 10%	F	FDIP40W	1	0 to 70 °C	X	Additional Burn-in
-45 ⁽¹⁾	45ns	X	± 5%	B	PDIP40	6	-40 to 85 °C		
-55 ⁽¹⁾	55ns			C	PLCC44	7	-40 to 105 °C	TR	Tape & Reel Packing
-70	70ns			N	TSOP40 10 x 14mm	3	-40 to 125 °C		
-80	80ns								
-90	90ns								
-10	100ns								
-12	120ns								
-15	150ns								
-20	200ns								
-10	100ns								

Note: 1. High Speed, see AC Characteristics section for further information.

For a list of available options (Speed, Package, etc...) or for further information on any aspect of this device, please contact the STMicroelectronics Sales Office nearest to you.