

# QHL-SMD HIGH FREQUENCY INDUCTORS



## FEATURES

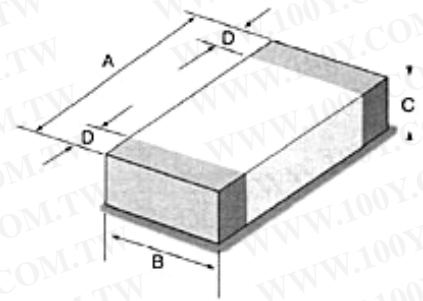
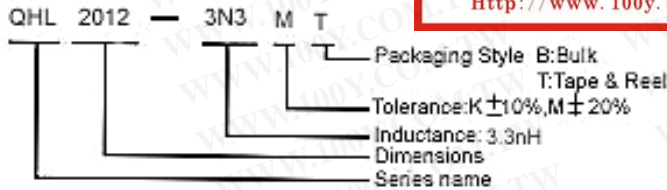
- Monolithic structure
- Closed magnetic circuit
- S.M.T. type
- Suitable for flow and reflow soldering
- Shapes and dimensions follow E.I.A. spec...
- Available in various sizes
- Excellent solderability and heat resistance
- High S.R.F. up to 6 GHz and above

## APPLICATIONS

- Wireless communications
- Cellular phone cordless phone pager etc.

## Ordering Code

勝特力材料 886-3-5753170  
 勝特力电子(上海) 86-21-54151736  
 勝特力电子(深圳) 86-755-83298787  
[Http://www.100y.com.tw](http://www.100y.com.tw)



PART NO.	DIMENSIONS			
	A	B	C	D
QHL2012	2.0 +/- 0.2	1.25 +/- 0.2	0.85 +/- 0.2 or 1.25 +/- 0.2	0.5 +/- 0.3
QHL1608	1.6 +/- 0.15	0.8 +/- 0.15	0.8 +/- 0.15	0.3 +/- 0.2

## ELECTRICAL CHARACTERISTICS

