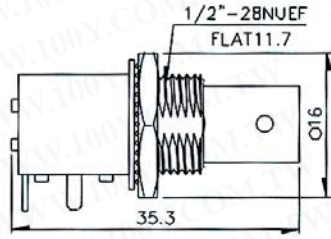


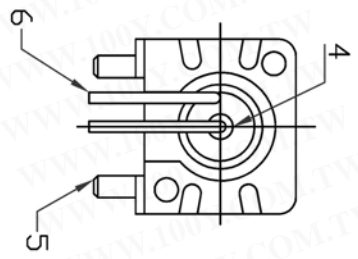
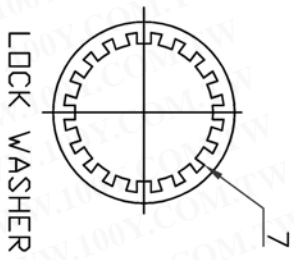
MCI-7044

BNC FEMALE RIGHT ANGLE PANEL MOUNT

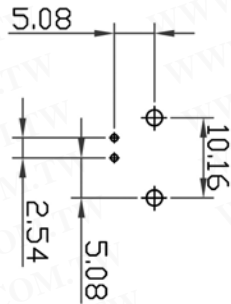
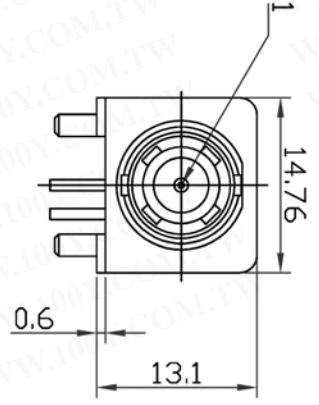
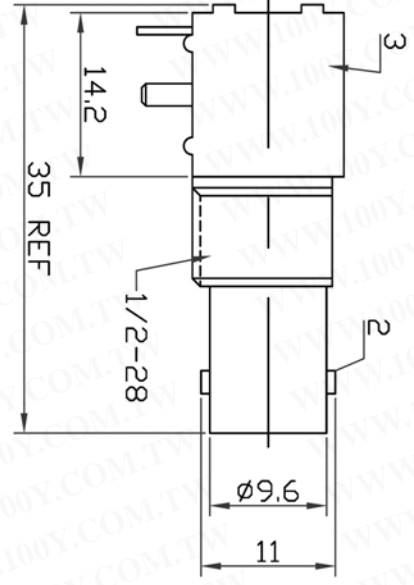
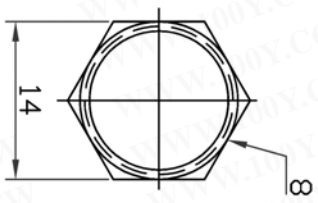


勝特力材料 886-3-5753170
 勝特力电子(上海) 86-21-54151736
 勝特力电子(深圳) 86-755-83298787
[Http://www.100y.com.tw](http://www.100y.com.tw)

8	NUT	BRASS	NICKEL	1
7	WASHER	IRON	NICKEL	1
6	SOLDER TAIL	BRASS	TIN	1
5	MOUNTING POST	BRASS	TIN	1
4	INSULATOR	P.P	NONE	1
3	HOUSING	PBT	NONE	1
2	BODY	ZINC	NICKEL	1
1	CENTER CONTACT	BRASS	GOLD	1
ND	DESCRIPTION	MATERIAL	FINISH	QTY



1/2-28UNEF-2B
 CLAMP NUT



DIMENSIONS ARE IN MILLIMETERS UNLESS OTHERWISE SPECIFIED		PART NO		DATE
TOLERANCES		APPROVED	W/UDY	DATE
0.5-5	±0.2	CHECKED	LUCY	DATE
6-30	±0.4	DRAWN	LED	DATE
30-120	±0.6	FILE NO		
120-315	±1			
315-1000	±1.6			
1000-2000	±2.4			
SCALE	ISSUE	TITLE		
		BNC CONNECTOR, PCB/PANEL MOUNT JACKS		
		DRAWING NO MCI-7044S 50DHM		