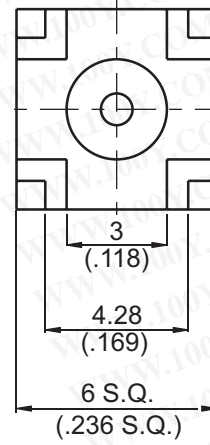
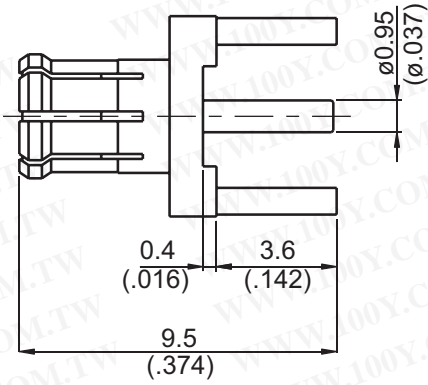


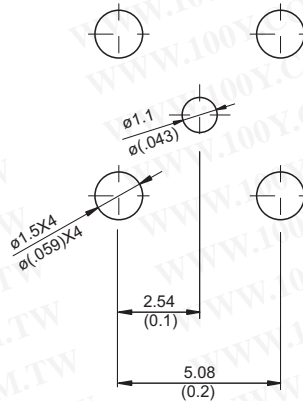
MCX3400-0000

MCX Plug P.C.B. Mount

50Ω



MOUNTING HOLE :



Parts	Material	Plating (Micro-inch)
Contact Pin	Brass	Gold 20 Over Nickel 50 Over Copper 50
Insulator	Teflon	
Body	Phosphor Bronze	Gold 5 Over Nickel 50 Over Copper 50

Weight: 0.56 g

Notice: JYEBAO reserves the right to make modifications deemed appropriate.