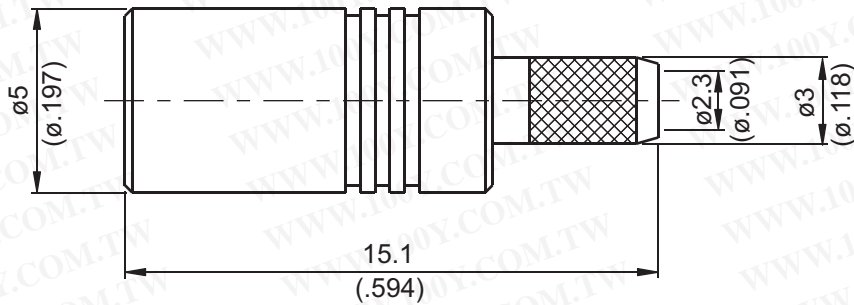


MCX8100-0178

MCX Jack Crimp

50Ω



Parts	Material	Plating (Micro-inch)
Ferrule	Brass	Gold 5 Over Nickel 50 Over Copper 50
Contact Pin	Phosphor Bronze	Gold 20 Over Nickel 50 Over Copper 50
Insulator	Teflon	
Body	Brass	Gold 5 Over Nickel 50 Over Copper 50

Weight: 1.2 g

Suitable Cables: RG178, RG196, RG178-FEP

Notice: JYEBAO reserves the right to make modifications deemed appropriate.