

T38, T26, T15 32.768 KHz Tuning Fork Watch Crystals



MERCURY
Since 1973

- Micro tubular holder (cylindrical type) X-cut tuning fork crystals.
- Ideal for 1Hz timing frequency.
- Compact and high-shock.

勝特力材料 886-3-5753170
 勝特力电子(上海) 86-21-54151736
 勝特力电子(深圳) 86-755-83298787
[Http://www.100y.com.tw](http://www.100y.com.tw)



SPECIFICATIONS

Frequency:	32.768 kHz		
Crystal Holder Prefix:	T15	T26	T38
MEC Part Number:	T15-32.768K-8P	T26-32.768K-12.5P	T38-32.768K-12.5P
Holder Sizes:	1.5 [∅] mm x 5.0mm	2.0 [∅] mm x 6.0mm	3.0 [∅] mm x 8.0mm
Frequency Tolerance at 25°C:	± 15 ppm; ± 20 ppm (standard), ± 30 ppm		
Maximum Series Resistance:	40 k max.	35 k max.	35 k max.
Quality Factor (Q):	40,000 minimum	50,000 minimum	50,000 minimum
Motional Capacitance (C1):	0.0025 pf typical	0.0030 pf typical	0.0035 pf typical
Shunt Capacitance (Co):	1.00 pf typical	1.35 pf typical	1.60 pf typical
Capacitance Ratio (Co/C1):	400 typical	450 typical	460 typical
Load Capacitance (CL):	8pF typical	6 pF or 12.5 pF	6 pF or 12.5pF
Vibration Type:	X-cut		
Turnover Temperature (TT):	25°C ± 5°C		
Drive Level:	1 μW max.		
Parabolic Curvature Constant:	-0.035ppm / °C ² typical		
Operating Temperature Range:	-10°C to +60°C		
Storage Temperature Range:	-30°C to +70°C		
Shock:	3 ppm maximum 3 drops from a height of 75 cm onto hardwood		
Vibration:	3 ppm maximum		
Aging:	First year: 3 ppm maximum at 25°C		

T38, T26, T15

32.768 KHz Tuning Fork Watch Crystals

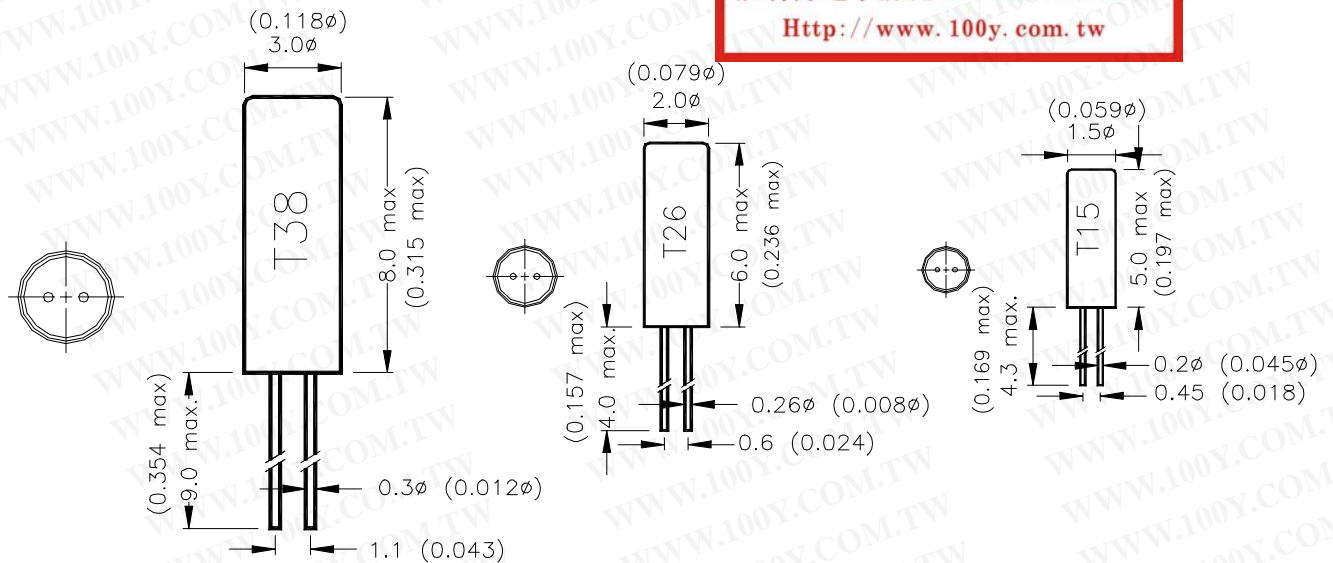


MERCURY
Since 1973

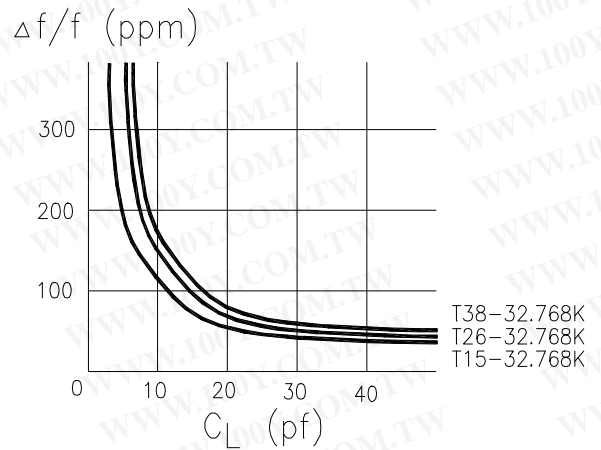
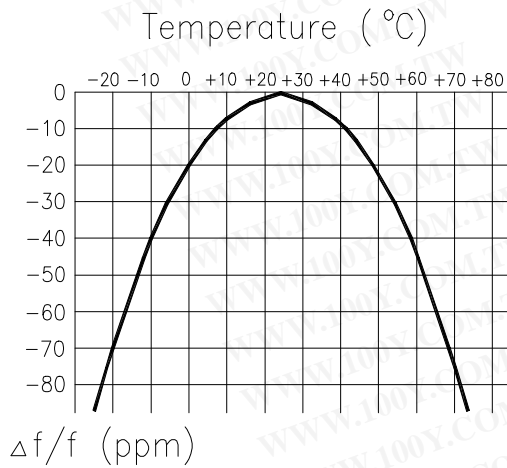
PACKAGE DIMENSIONS

Unit: mm [inches]

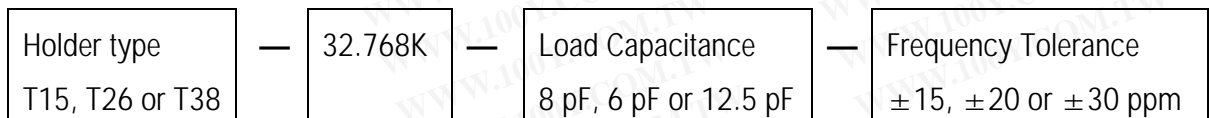
勝特力材料 886-3-5753170
 勝特力电子(上海) 86-21-54151736
 勝特力电子(深圳) 86-755-83298787
[Http://www.100y.com.tw](http://www.100y.com.tw)



FREQUENCY-TEMPERATURE AND LOAD CAPACITANCE CHARACTERISTICS



HOW TO ORDER



Example: **T26-32.768K-6P-20** represents 2x6 mm 32.768 KHz with 6 pF load capacitance and ± 20 ppm frequency tolerance.