



## Metallized Polyester Film Capacitors MKT Radial Potted Type

### APPLICATIONS

Blocking and coupling. Bypass and energy reservoir

### MARKING

C-value; tolerance; rated voltage; code for manufacturer; manufacturer's type designation; code for dielectric material; code for factory of origin, year and week of manufacturer

### DIELECTRIC

Polyester film

### ELECTRODES

Vacuum deposited aluminium

### ENCAPSULATION

Flame retardant plastic case and epoxy resin  
(UL-class 94 V-0)

### CONSTRUCTION

Wound mono construction

### LEADS

Tinned wire

### CAPACITANCE RANGE (E12 SERIES)

0.0047 to 15  $\mu$ F

### CAPACITANCE TOLERANCE

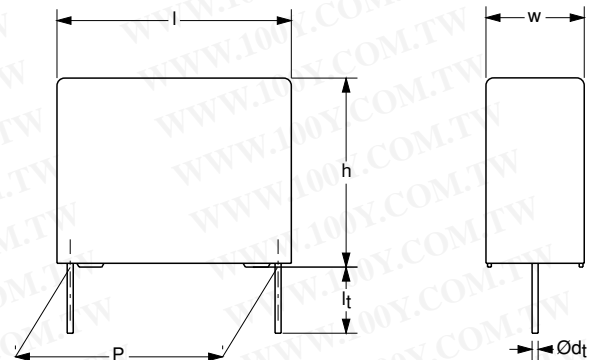
$\pm$ 10%;  $\pm$ 5%

### RATED (DC) VOLTAGE

100 V; 250 V; 400 V; 630 V

### RATED (AC) VOLTAGE

63 V; 160 V; 220 V; 250 V



### CLIMATIC CATEGORY

55/105/56

### RATED TEMPERATURE

85 °C

### MAXIMUM APPLICATION TEMPERATURE

105 °C

### REFERENCE SPECIFICATIONS

IEC 60384-2

### PERFORMANCE GRADE

Grade 1 (long life)

### FEATURES

Available taped and loose in box

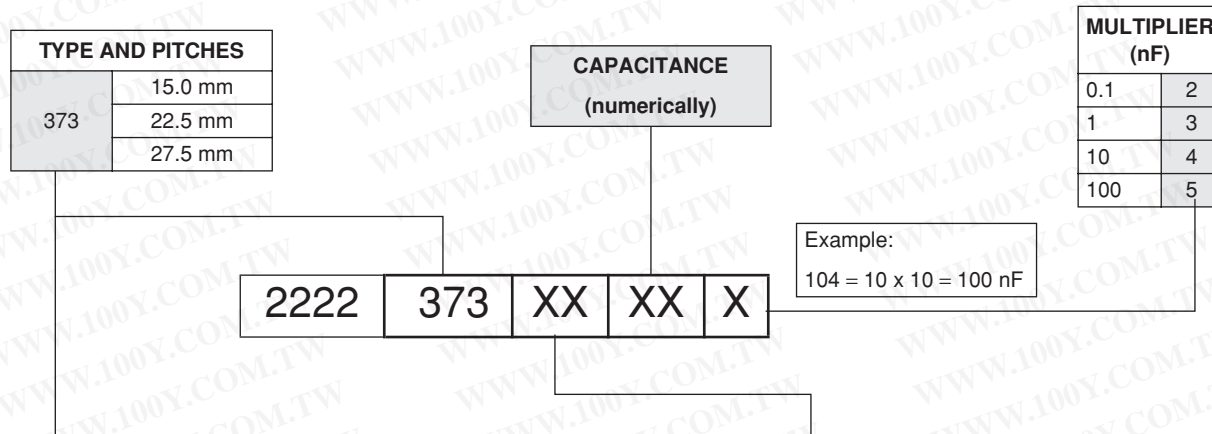
### DETAIL SPECIFICATION

For more detailed data and test requirements see "Type detail specification HQN-384-02/103".

勝特力材料 886-3-5753170  
勝特力电子(上海) 86-21-54151736  
勝特力电子(深圳) 86-755-83298787  
[Http://www.100y.com.tw](http://www.100y.com.tw)



## COMPOSITION OF CATALOG NUMBER



TYPE	PACKAGING	LEAD CONFIGURATION	PREFERRED TYPES				
			C-TOL	100 V	250 V	400 V	630 V
373	loose in box	lead length 5.0 ± 1.0 mm	±10%	23	43	53	63
	<b>ON REQUEST</b>						
373	loose in box	lead length 5.0 ± 1.0 mm	±5%	24	44	54	64
	taped on reel	H = 18.5 mm; P <sub>0</sub> = 12.7 mm; reel diameter 356 mm	±10%	27	47	57	67
			±5%	28	48	58	68

## SPECIFIC REFERENCE DATA

DESCRIPTION	VALUE			
	at 100 V (DC)	at 250 V (DC)	at 400 V (DC)	at 630 V (DC)
Tangent of loss angle: 0.33 μF < C ≤ 0.47 μF 0.47 μF < C ≤ 1.0 μF 1.0 μF < C ≤ 10 μF C > 10 μF	at 1 kHz	at 10 kHz	at 100 kHz	
	≤75 × 10 <sup>-4</sup>	≤130 × 10 <sup>-4</sup>	≤300 × 10 <sup>-4</sup>	
	≤75 × 10 <sup>-4</sup>	≤130 × 10 <sup>-4</sup>	-	
	≤75 × 10 <sup>-4</sup>	≤150 × 10 <sup>-4</sup>	-	
Rated voltage pulse slope (dU/dt) <sub>R</sub> : P = 15 mm P = 22.5 mm P = 27.5 mm	at 100 V (DC)	at 250 V (DC)	at 400 V (DC)	at 630 V (DC)
	14 V/μs	16 V/μs	34 V/μs	90 V/μs
	5 V/μs	7 V/μs	14 V/μs	35 V/μs
R between leads, for C ≤ 0.33 μF: at 100 V; 1 minute at 500 V; 1 minute	>15000 MΩ	>30000 MΩ	>30000 MΩ	>30000 MΩ
	>5000 s	>10000 s	>10000 s	>10000 s
RC between leads, for C > 0.33 μF: at 100 V; 1 minute at 500 V; 1 minute	>30000 MΩ	>30000 MΩ	>30000 MΩ	>30000 MΩ
	160 V; 1 minute	400 V; 1 minute	640 V; 1 minute	1008 V; 1 minute
Withstanding (DC) voltage (cut off current 10 mA); rise time 100 V/s	200 V; 1 minute	500 V; 1 minute	800 V; 1 minute	1260 V; 1 minute
Withstanding (DC) voltage between leads and case	200 V; 1 minute	500 V; 1 minute	800 V; 1 minute	1260 V; 1 minute

勝特力材料 886-3-5753170  
 勝特力电子(上海) 86-21-54151736  
 勝特力电子(深圳) 86-755-83298787  
[Http://www.100y.com.tw](http://www.100y.com.tw)



# MKT 373 Compact Size

Metallized Polyester Film Capacitors Vishay BCcomponents  
MKT Radial Potted Type

$U_{Rdc} = 100\text{ V}$ ,  $U_{Rac} = 63\text{ V}$  (compact size)

C ( $\mu\text{F}$ )	DIMENSIONS $w \times h \times l$ (mm)	MASS (g)	CATALOG NUMBER 2222 373 ..... AND PACKAGING				
			LOOSE IN BOX		REEL		
			$l_t = 5.0 \pm 1.0\text{ mm}$			SPQ	SPQ
			C-tol = $\pm 10\%$		SPQ		
last 5 digits of catalog number			SPQ	SPQ			
<b>Pitch = <math>15.0 \pm 0.4\text{ mm}</math>; <math>d_t = 0.80 \pm 0.08\text{ mm}</math></b>							
0.33	5.0 × 11.0 × 17.5	1.1	23334	1000	1100		
0.39			23394				
0.47			23474				
0.56			23564				
0.68			23684				
0.82			23824				
1			23105				
1.2			23125				
1.5			23155				
1.8	23185						
2.2	6.0 × 12.0 × 17.5	1.4	23225	1000	900		

$U_{Rdc} = 250\text{ V}$ ,  $U_{Rac} = 160\text{ V}$  (compact size)

C ( $\mu\text{F}$ )	DIMENSIONS $w \times h \times l$ (mm)	MASS (g)	CATALOG NUMBER 2222 373 ..... AND PACKAGING				
			LOOSE IN BOX		REEL		
			$l_t = 5.0 \pm 1.0\text{ mm}$			SPQ	SPQ
			C-tol = $\pm 10\%$		SPQ		
last 5 digits of catalog number			SPQ	SPQ			
<b>Pitch = <math>15.0 \pm 0.4\text{ mm}</math>; <math>d_t = 0.80 \pm 0.08\text{ mm}</math></b>							
0.15	5.0 × 11.0 × 17.5	1.1	43154	1000	1100		
0.18			43184				
0.22			43224				
0.27			43274				
0.33			43334				
0.39	6.0 × 12.0 × 17.5	1.4	43394	1000	900		
0.47			43474				
0.56	7.0 × 13.5 × 17.5	1.9	43564	1000	800		
0.68			43684				
0.82	8.5 × 15.0 × 17.5	2.6	43824	1000	650		
1			43105				
1.2	10.0 × 16.5 × 17.5	3.1	43125	500	600		
<b>Pitch = <math>22.5 \pm 0.4\text{ mm}</math>; <math>d_t = 0.80 \pm 0.08\text{ mm}</math></b>							
1.5	8.5 × 18.0 × 26.0	4.4	43155	200	450		
1.8			43185				
2.2	10.0 × 19.5 × 26.0	5.5	43225	200	350		
2.7			43275				
<b>Pitch = <math>27.5 \pm 0.4\text{ mm}</math>; <math>d_t = 0.80 \pm 0.08\text{ mm}</math></b>							
3.3	11.0 × 21.0 × 31.0	7.8	43335	100			
3.9	13.0 × 23.0 × 31.0	10.4	43395	100			
4.7			43475				

勝特力材料 886-3-5753170  
 勝特力电子(上海) 86-21-54151736  
 勝特力电子(深圳) 86-755-83298787  
[Http://www.100y.com.tw](http://www.100y.com.tw)

# MKT 373 Compact Size



Vishay BCcomponents Metallized Polyester Film Capacitors  
MKT Radial Potted Type

$U_{Rdc} = 400\text{ V}$ ,  $U_{Rac} = 220\text{ V}$  (compact size)

C ( $\mu\text{F}$ )	DIMENSIONS $w \times h \times l$ (mm)	MASS (g)	CATALOG NUMBER 2222 373 ..... AND PACKAGING		
			LOOSE IN BOX		REEL
			$l_t = 5.0 \pm 1.0\text{ mm}$		SPQ
			C-tol = $\pm 10\%$	last 5 digits of catalog number	
<b>Pitch = <math>15.0 \pm 0.4\text{ mm}</math>; <math>d_t = 0.80 \pm 0.08\text{ mm}</math></b>					
0.047	5.0 × 11.0 × 17.5	1.1	53473	1000	1100
0.056			53563		
0.068			53683		
0.082			53823		
0.1			53104		
0.12			53124		
0.15			53154		
0.18	6.0 × 12.0 × 17.5	1.4	53184	1000	900
0.22			53224		
0.27	7.0 × 13.5 × 17.5	1.9	53274	1000	800
0.33			53334		
0.39	8.5 × 15.0 × 17.5	2.6	53394	1000	650
0.47			53474		
0.56	10.0 × 16.5 × 17.5	3.2	53564	500	600
<b>Pitch = <math>22.5 \pm 0.4\text{ mm}</math>; <math>d_t = 0.80 \pm 0.08\text{ mm}</math></b>					
0.68	8.5 × 18.0 × 26.0	4.4	53684	200	450
0.82			53824		
1	10.0 × 19.5 × 26.0	5.5	53105	200	350
1.2			53125		
<b>Pitch = <math>27.5 \pm 0.4\text{ mm}</math>; <math>d_t = 0.80 \pm 0.08\text{ mm}</math></b>					
1.5	11.0 × 21.0 × 31.0	7.8	53155	100	
1.8	13.0 × 23.0 × 31.0	10.5	53185	100	
2.2			53225		

$U_{Rdc} = 630\text{ V}$ ,  $U_{Rac} = 250\text{ V}$  (compact size)

C ( $\mu\text{F}$ )	DIMENSIONS $w \times h \times l$ (mm)	MASS (g)	CATALOG NUMBER 2222 373 ..... AND PACKAGING		
			LOOSE IN BOX		REEL
			$l_t = 5.0 \pm 1.0\text{ mm}$		SPQ
			C-tol = $\pm 10\%$	last 5 digits of catalog number	
<b>Pitch = <math>15.0 \pm 0.4\text{ mm}</math>; <math>d_t = 0.80 \pm 0.08\text{ mm}</math></b>					
0.047	5.0 × 11.0 × 17.5	1.1	63473	1000	1100
0.056			63563		
0.068			63683		
0.082			63823		
0.1			63104		
0.12			63124		
0.15			63154		
0.18	8.5 × 15.0 × 17.5	2.6	63184	1000	650
0.22			63224		
0.27	8.5 × 18.0 × 26.0	4.4	63274	200	450
0.33			63334		
0.39	10.0 × 19.5 × 26.0	5.5	63394	200	350
0.47			63474		
<b>Pitch = <math>27.5 \pm 0.4\text{ mm}</math>; <math>d_t = 0.80 \pm 0.08\text{ mm}</math></b>					
0.56	11.0 × 21.0 × 31.0	7.8	63564	100	
0.68	13.0 × 23.0 × 31.0	10.5	63684	100	
0.82			63824		
1	15.0 × 25.0 × 31.0	7.8	63105	100	

勝特力材料 886-3-5753170  
 勝特力电子(上海) 86-21-54151736  
 勝特力电子(深圳) 86-755-83298787  
[Http://www.100y.com.tw](http://www.100y.com.tw)



# MKT 373 Standard Size

Metallized Polyester Film Capacitors  
MKT Radial Potted Type

Vishay BCcomponents

$U_{Rdc} = 100\text{ V}$ ,  $U_{Rac} = 63\text{ V}$  (standard size)

C ( $\mu\text{F}$ )	DIMENSIONS $w \times h \times l$ (mm)	MASS (g)	CATALOG NUMBER 2222 373 ..... AND PACKAGING		
			LOOSE IN BOX		REEL
			$l_t = 5.0 \pm 1.0\text{ mm}$		SPQ
			C-tol = $\pm 10\%$	SPQ	
last 5 digits of catalog number			SPQ	SPQ	
<b>Pitch = <math>15.0 \pm 0.4\text{ mm}</math>; <math>d_t = 0.80 \pm 0.08\text{ mm}</math></b>					
0.33 0.39 0.47 0.56 0.68	5.0 × 11.0 × 17.5	1.1	21334 21394 21474 21564 21684	1000	1100
0.82 1	6.0 × 12.0 × 17.5	1.4	21824 21105	1000	900
1.2 1.5	7.0 × 13.5 × 17.5	1.9	21125 21155	1000	800
1.8 2.2	8.5 × 15.0 × 17.5	2.6	21185 21225	1000	650
<b>Pitch = <math>22.5 \pm 0.4\text{ mm}</math>; <math>d_t = 0.80 \pm 0.08\text{ mm}</math></b>					
2.7 3.3	8.5 × 18.0 × 26.0	4.4	21275 21335	200	450
3.9 4.7	10.0 × 19.5 × 26.0	5.5	21395 21475	200	350
<b>Pitch = <math>27.5 \pm 0.4\text{ mm}</math>; <math>d_t = 0.80 \pm 0.08\text{ mm}</math></b>					
5.6 6.8	11.0 × 21.0 × 31.0	8.0	21565 21685	100	
8.2 10	13.0 × 23.0 × 31.0	10.5	21825 21106	100	
12 15	18.0 × 28.0 × 31.0	17.5	21126 21156	100	

$U_{Rdc} = 250\text{ V}$ ,  $U_{Rac} = 160\text{ V}$  (standard size)

C ( $\mu\text{F}$ )	DIMENSIONS $w \times h \times l$ (mm)	MASS (g)	CATALOG NUMBER 2222 373 ..... AND PACKAGING		
			LOOSE IN BOX		REEL
			$l_t = 5.0 \pm 1.0\text{ mm}$		SPQ
			C-tol = $\pm 10\%$	SPQ	
last 5 digits of catalog number			SPQ	SPQ	
<b>Pitch = <math>15.0 \pm 0.4\text{ mm}</math>; <math>d_t = 0.80 \pm 0.08\text{ mm}</math></b>					
0.15 0.18 0.22	5.0 × 11.0 × 17.5	1.1	41154 41184 41224	1000	1100
0.27 0.33 0.39 0.47	6.0 × 12.0 × 17.5	1.4	41274 41334 41394 41474	1000	900
0.56 0.68	7.0 × 13.5 × 17.5	1.9	41564 41684	1000	800
0.82 1	8.5 × 15.0 × 17.5	2.6	41824 41105	1000	650

勝特力材料 886-3-5753170  
 勝特力电子(上海) 86-21-54151736  
 勝特力电子(深圳) 86-755-83298787  
[Http://www.100y.com.tw](http://www.100y.com.tw)

# MKT 373 Standard Size



Vishay BCcomponents Metallized Polyester Film Capacitors  
MKT Radial Potted Type

C ( $\mu$ F)	DIMENSIONS w × h × l (mm)	MASS (g)	CATALOG NUMBER 2222 373 ..... AND PACKAGING		
			LOOSE IN BOX		REEL
			$l_t = 5.0 \pm 1.0$ mm		SPQ
			C-tol = $\pm 10\%$	last 5 digits of catalog number	
<b>Pitch = 22.5 <math>\pm 0.4</math> mm; <math>d_t = 0.80 \pm 0.08</math> mm</b>					
1.2	8.5 × 18.0 × 26.0	4.4	41125	200	450
1.5			41155		
1.8	10.0 × 19.5 × 26.0	5.5	41185	200	350
2.2			41225		
<b>Pitch = 27.5 <math>\pm 0.4</math> mm; <math>d_t = 0.80 \pm 0.08</math> mm</b>					
2.7	13.0 × 23.0 × 31.0	10.4	41275	100	
3.3			41335		
3.9	15.0 × 25.0 × 31.0	12.5	41395	100	
4.7			41475		

$U_{Rdc} = 400$  V,  $U_{Rac} = 220$  V (standard size)

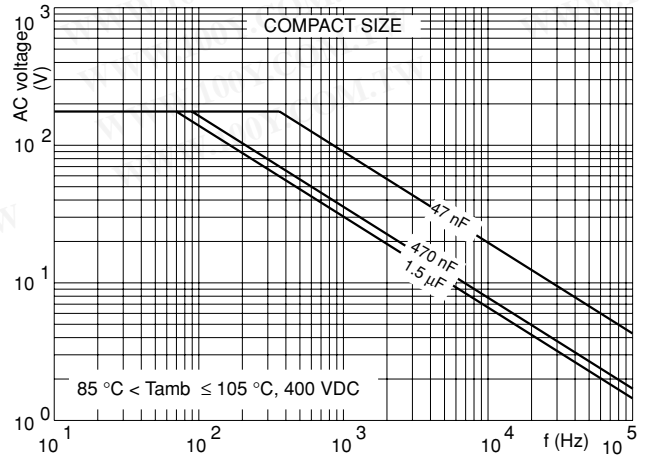
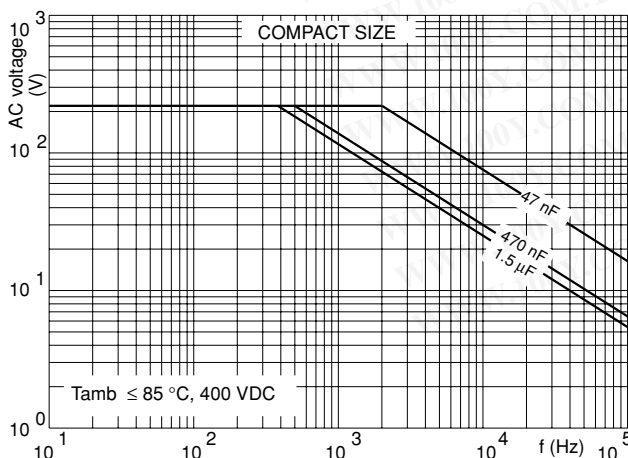
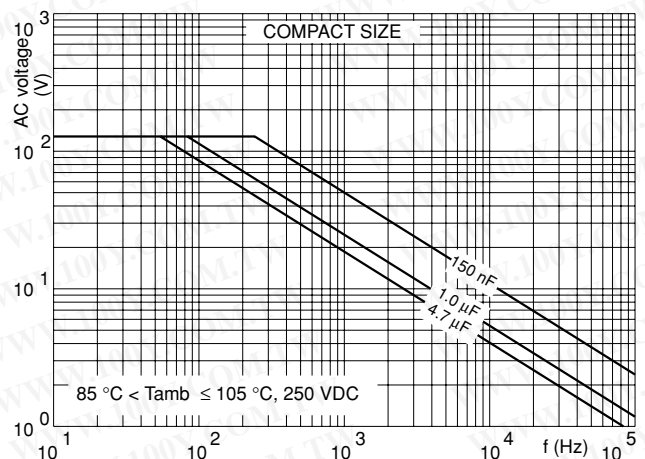
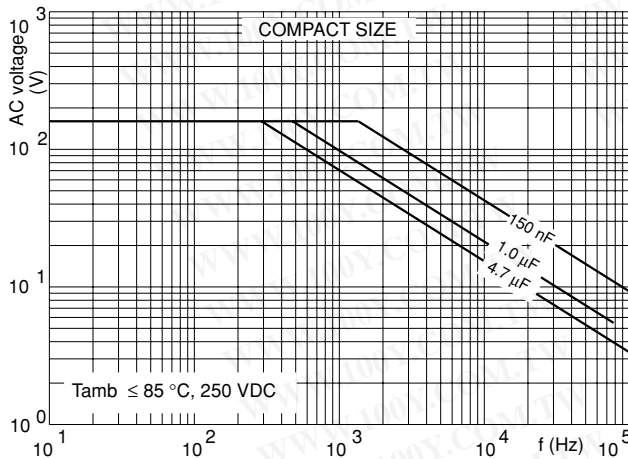
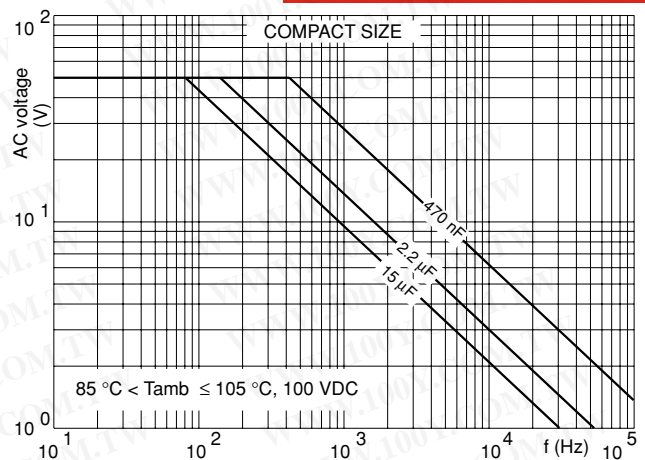
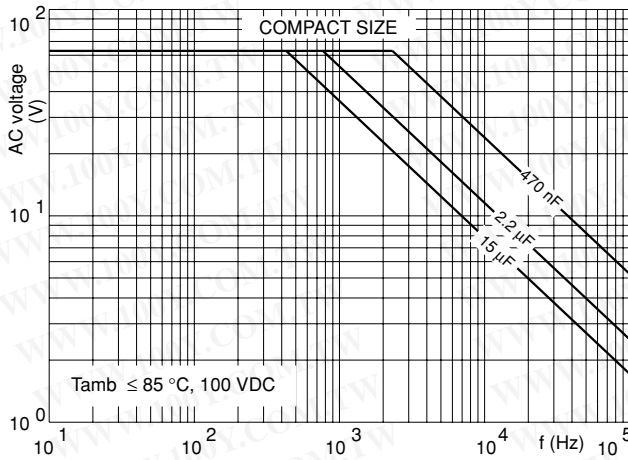
C ( $\mu$ F)	DIMENSIONS w × h × l (mm)	MASS (g)	CATALOG NUMBER 2222 373 ..... AND PACKAGING		
			LOOSE IN BOX		REEL
			$l_t = 5.0 \pm 1.0$ mm		SPQ
			C-tol = $\pm 10\%$	last 5 digits of catalog number	
<b>Pitch = 15.0 <math>\pm 0.4</math> mm; <math>d_t = 0.80 \pm 0.08</math> mm</b>					
0.047	5.0 × 11.0 × 17.5	1.1	51473	1000	1100
0.056			51563		
0.068			51683		
0.082			51823		
0.1			51104		
0.12	6.0 × 12.0 × 17.5	1.4	51124	1000	900
0.15			51154		
0.18	7.0 × 13.5 × 17.5	1.9	51184	1000	800
0.22			51224		
0.27	8.5 × 15.0 × 17.5	2.6	51274	1000	650
0.33			51334		
<b>Pitch = 22.5 <math>\pm 0.4</math> mm; <math>d_t = 0.80 \pm 0.08</math> mm</b>					
0.39	8.5 × 18.0 × 26.0	4.4	51394	200	450
0.47			51474		
0.56	10.0 × 19.5 × 26.0	4.4	51564	200	350
0.68			51684		
<b>Pitch = 27.5 <math>\pm 0.4</math> mm; <math>d_t = 0.80 \pm 0.08</math> mm</b>					
0.82	11.0 × 21.0 × 31.0	7.8	51824	100	
1			51105		
1.2	15.0 × 25.0 × 31.0	12.8	51125	100	
1.5			51155		

勝特力材料 886-3-5753170  
 勝特力电子(上海) 86-21-54151736  
 勝特力电子(深圳) 86-755-83298787  
[Http://www.100y.com.tw](http://www.100y.com.tw)



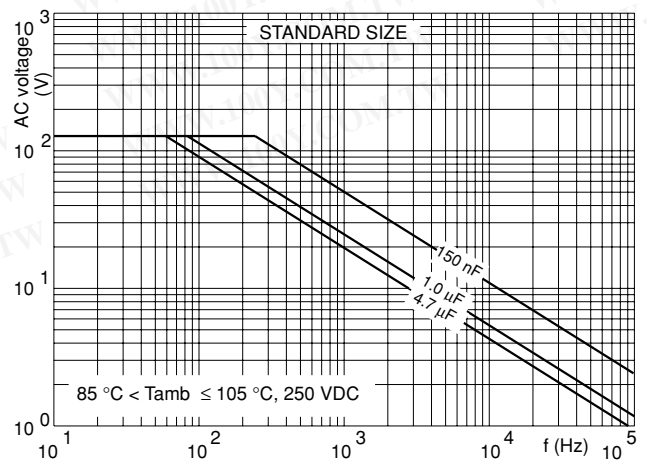
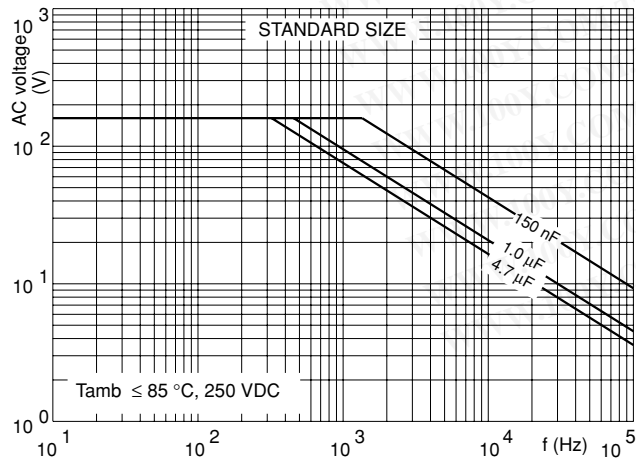
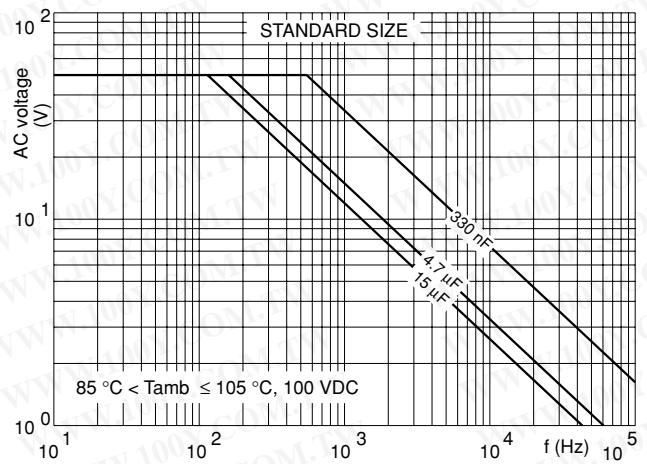
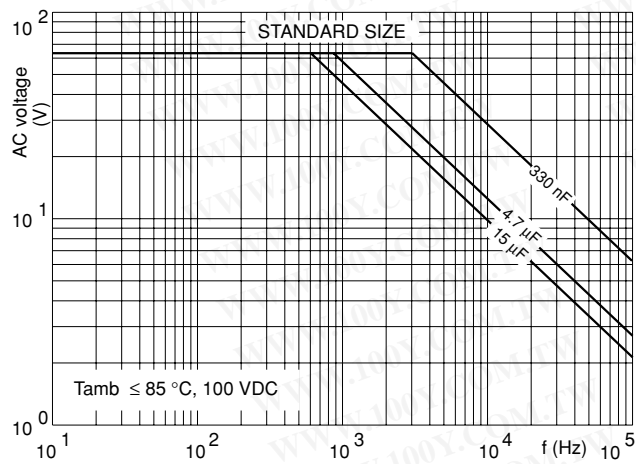
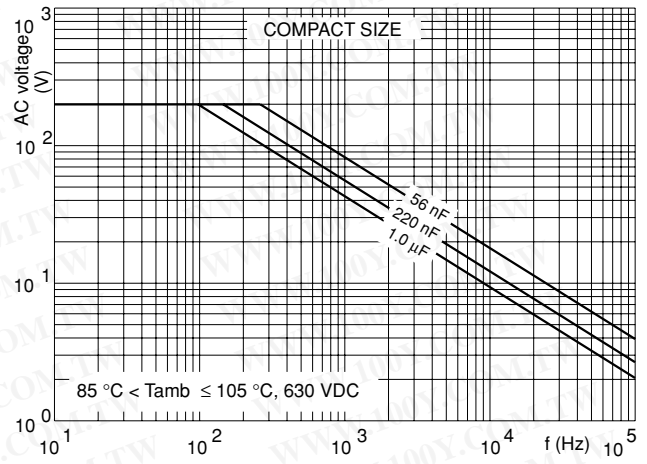
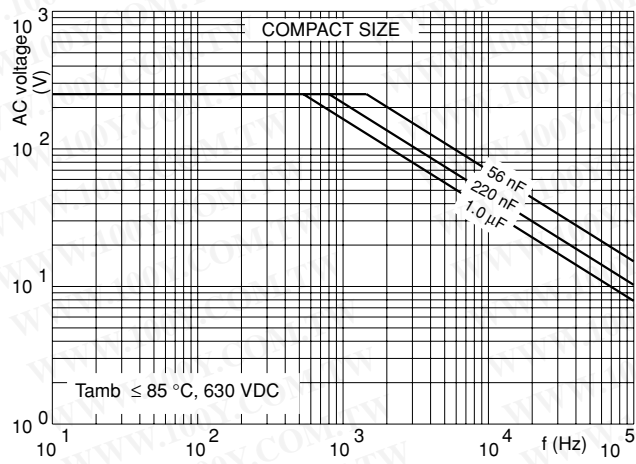
勝特力材料 886-3-5753170  
勝特力电子(上海) 86-21-54151736  
勝特力电子(深圳) 86-755-83298787  
[Http://www.100y.com.tw](http://www.100y.com.tw)

MAXIMUM RMS VOLTAGE (SINEWAVE) AS A FUNCTION OF FREQUENCY



# MKT 373

Vishay BCcomponents Metallized Polyester Film Capacitors  
MKT Radial Potted Type

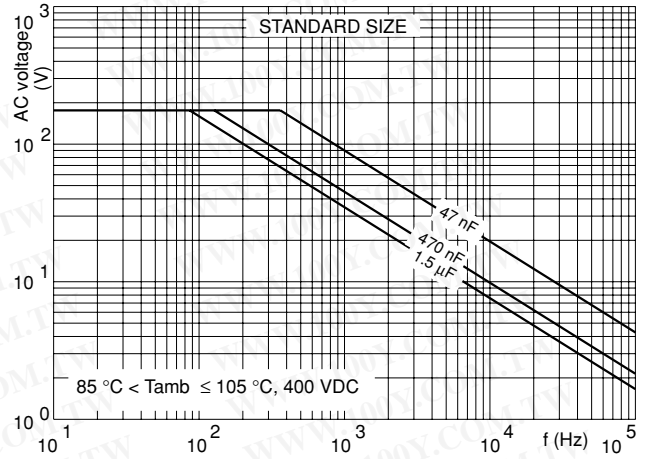
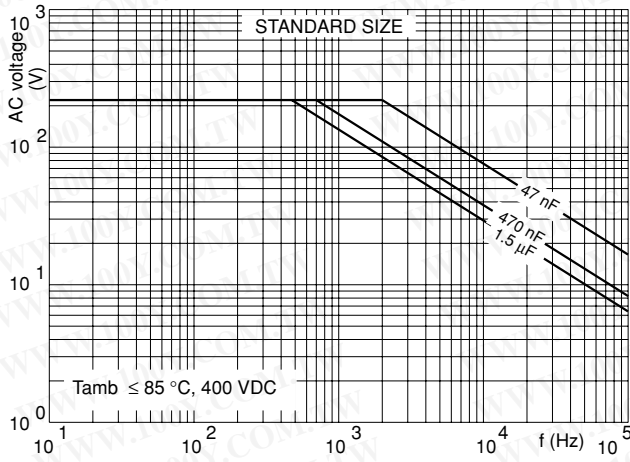


勝特力材料 886-3-5753170  
勝特力电子(上海) 86-21-54151736  
勝特力电子(深圳) 86-755-83298787  
[Http://www.100y.com.tw](http://www.100y.com.tw)

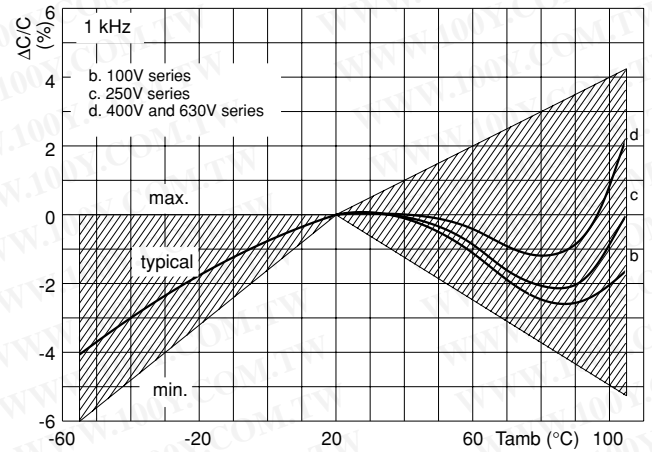
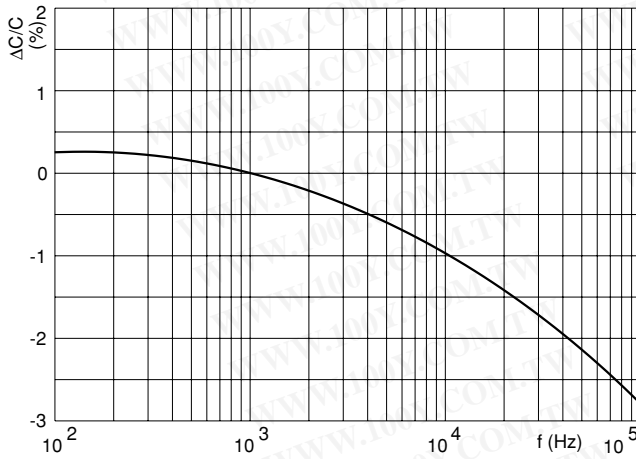




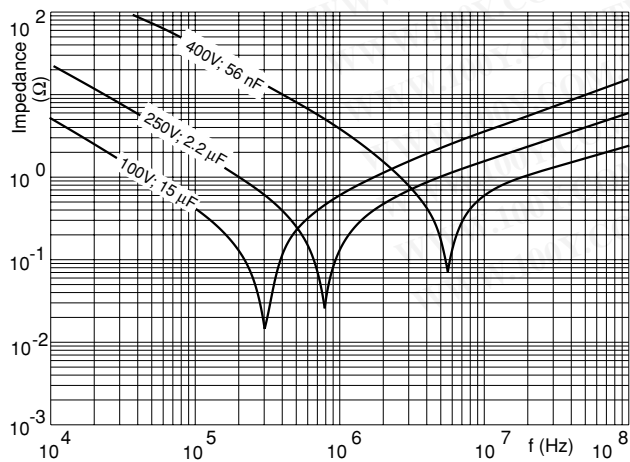
Metallized Polyester Film Capacitors Vishay BCcomponents  
MKT Radial Potted Type



CAPACITANCE



IMPEDANCE



勝特力材料 886-3-5753170  
勝特力电子(上海) 86-21-54151736  
勝特力电子(深圳) 86-755-83298787  
[Http://www.100y.com.tw](http://www.100y.com.tw)