



# MP39

勝特力材料 886-3-5753170  
 勝特力电子(上海) 86-21-54151736  
 勝特力电子(深圳) 86-755-83298787  
[Http://www.100y.com.tw](http://www.100y.com.tw)

## FEATURES

- HIGH INTERNAL DISSIPATION — 125 WATTS
- HIGH VOLTAGE, HIGH CURRENT — 100V, 10A
- HIGH SLEW RATE — 10V/ $\mu$ S
- 4 WIRE CURRENT LIMIT SENSING
- OPTIONAL BOOST VOLTAGE INPUTS

## APPLICATIONS

- LINEAR AND ROTARY MOTOR DRIVES
- YOKE/MAGNETIC FIELD EXCITATION
- PROGRAMMABLE POWER SUPPLIES TO  $\pm 45$ V
- INDUSTRIAL AUDIO
- PACKAGE OPTION - DIP10 - DUAL-IN-LINE

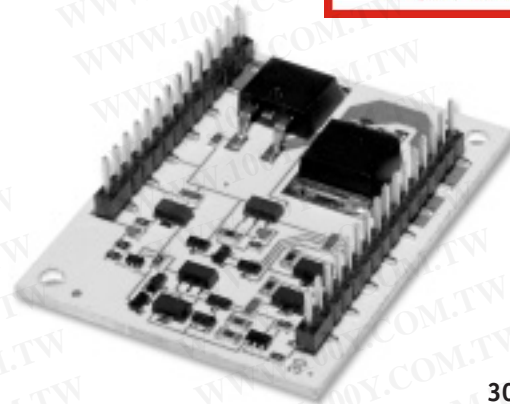
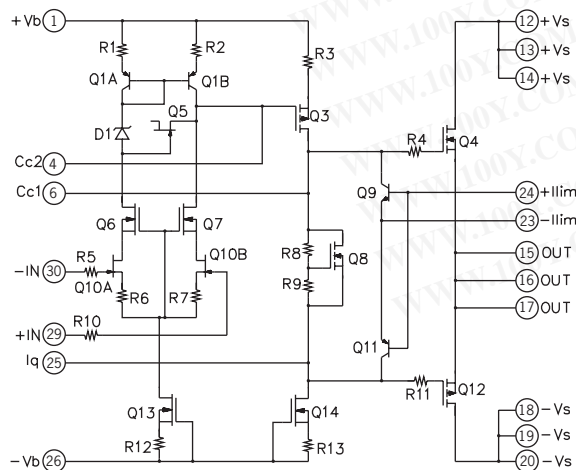
## DESCRIPTION

The MP39 is a cost-effective high voltage MOSFET power operational amplifier constructed with surface mount components on a thermally conductive but electrically isolated substrate.

While the cost is low the MP39 offers many of the same features and performance specifications found in much more expensive hybrid power amplifiers.

The metal substrate allows the MP39 to dissipate power up to 125 watts and its power supply voltages can range up to  $\pm 50$  Volts (100V total). Optional boost voltage inputs allow the small signal portion of the amplifier to operate at higher supply voltages than the high current output stage. The amplifier is then biased to achieve close linear swings to the supply rails at high current for extra efficient operation. External compensation tailors performance to the user needs. A four-wire sense technique allows current limiting without the need to consider internal or external milli-ohm parasitic resistance in the output line. An Iq pin is available which can be used to shut off the quiescent current in the output stage. The output stage then operates class C and lowers quiescent power dissipation. This is useful in applications where output crossover distortion is not important.

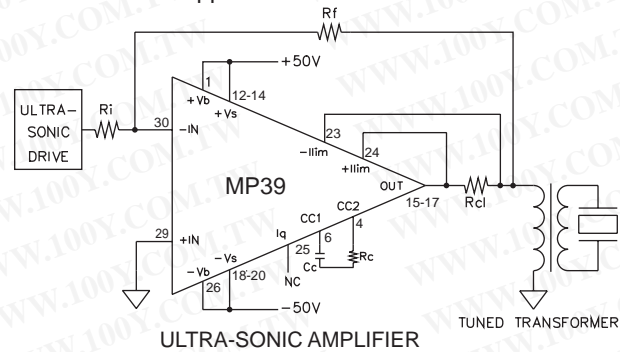
## EQUIVALENT SCHEMATIC



30-pin DIP  
PACKAGE STYLE CL

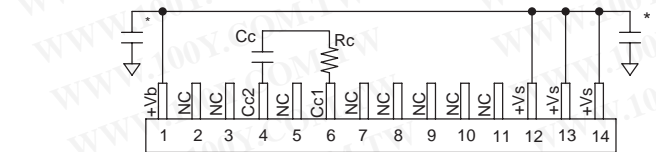
## TYPICAL APPLICATION Ref: Application Note 25

The high power bandwidth and high voltage output of the MP39 allows driving ultra-sonic transducers via a resonant circuit including the transducer and a matching transformer. The load circuit appears resistive to the MP39.

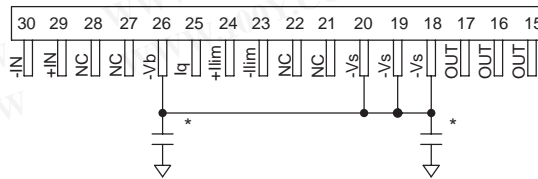


## EXTERNAL CONNECTIONS - MP39CL

PACKAGE: DIP10



COMPONENT SIDE VIEW



\* SEE "BYPASSING" PARAGRAPH  
Phase Compensation

Gain	Cc	Rc
1	470pF	100 $\Omega$
$\geq 3$	220pF	Short
$\geq 10$	100pF	Short

# MP39

## ABSOLUTE MAXIMUM RATINGS SPECIFICATIONS

### ABSOLUTE MAXIMUM RATINGS

SUPPLY VOLTAGE, $+V_S$ to $-V_S$	100V
BOOST VOLTAGE	$\pm V_S \pm 20V$
OUTPUT CURRENT, within SOA	25A
POWER DISSIPATION, internal	125W
INPUT VOLTAGE, differential	$\pm 20V$
INPUT VOLTAGE, common mode	$\pm V_B$
TEMPERATURE, pin solder - 10s	200°C
TEMPERATURE, junction <sup>2</sup>	175°C
TEMPERATURE, storage	-40 to +105°C
OPERATING TEMPERATURE RANGE, case	-40 to +85°C

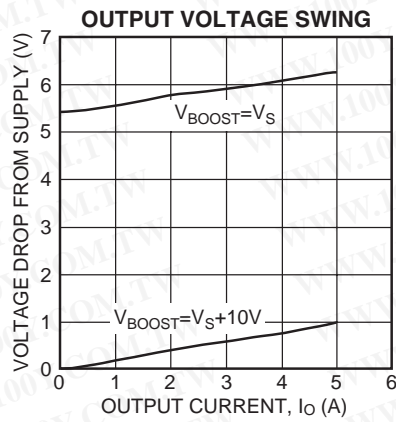
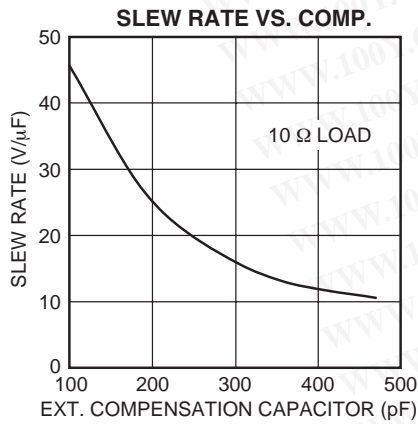
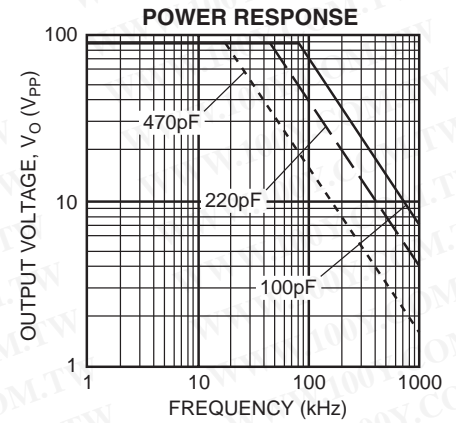
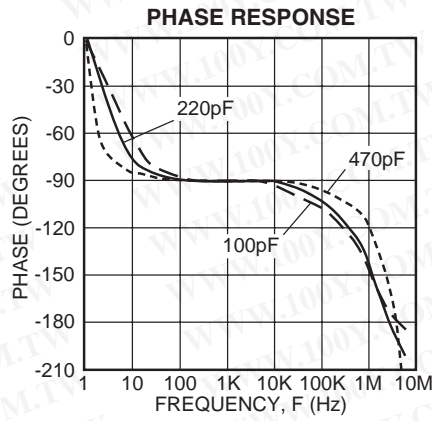
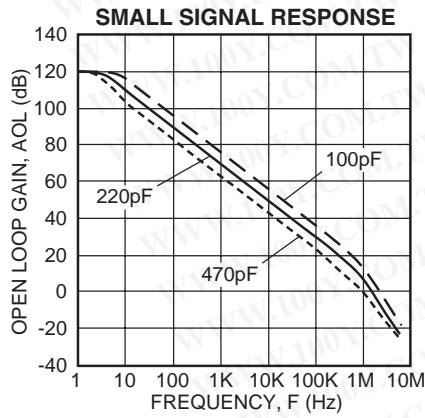
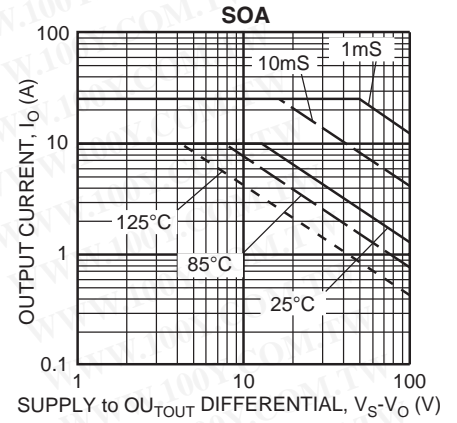
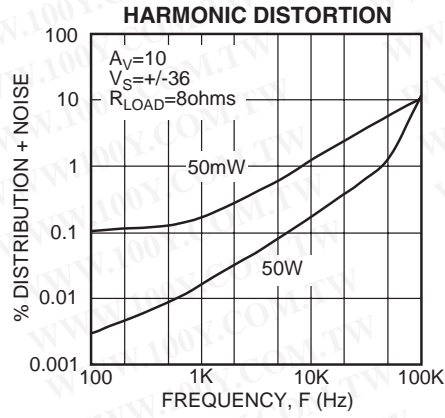
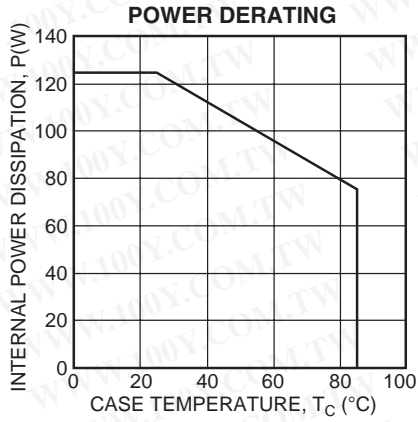
### SPECIFICATIONS

PARAMETER	TEST CONDITIONS <sup>1</sup>	MIN	MP39 TYP	MAX	UNITS
<b>INPUT</b>					
OFFSET VOLTAGE, initial			5	10	mV
OFFSET VOLTAGE, vs. temperature	Full temperature range		30	50	$\mu V/^\circ C$
OFFSET VOLTAGE, vs. supply			15		$\mu V/V$
OFFSET VOLTAGE, vs. power	Full temperature range		30		$\mu V/W$
BIAS CURRENT, initial			10	200	pA
BIAS CURRENT, vs. supply			.01		pA/V
OFFSET CURRENT, initial			10	50	pA
INPUT IMPEDANCE, DC			$10^{10}$		$\Omega$
INPUT CAPACITANCE			20		pF
COMMON MODE VOLTAGE RANGE	Full temperature range	$\pm V_B \mp 15$	$\pm V_B \mp 12$		V
COMMON MODE REJECTION, DC	Full temp, range, $V_{CM} = \pm 20V$	86	98		dB
INPUT NOISE	100kHz BW, $R_S = 1K\Omega$		10		$\mu V_{rms}$
<b>GAIN</b>					
OPEN LOOP, @15Hz	Full temperature range, $C_C = 100pF$	94	102		db
GAIN BANDWIDTH PRODUCT	$I_O = 10A$		2		MHz
POWER BANDWIDTH	$R_L = 10\Omega, V_O = 90V$ p-p $C_C = 100pF$		40		kHz
PHASE MARGIN	Full temperature range		60		°
<b>OUTPUT</b>					
VOLTAGE SWING	$I_O = 10A$	$\pm V_S \mp 8.8$	$\pm V_S \mp 7.5$		V
VOLTAGE SWING	$\pm V_B = \pm V_S \pm 10V, I_O = 10A$	$\pm V_S \mp 6.8$	$\pm V_S \mp 5.5$		V
SETTLING TIME to .1%	$A_V = +1, 10V$ step, $R_L = 4\Omega$		2.5		$\mu s$
SLEW RATE	$A_V = -10, C_C = 100pF$	10			V/ $\mu s$
CAPACITIVE LOAD	Full temperature range, $A_V = +1$	10			nF
RESISTANCE			4		$\Omega$
CURRENT, CONTINUOUS				10	A
<b>POWER SUPPLY</b>					
VOLTAGE	Full temperature range	$\pm 15$	$\pm 40$	$\pm 50$	V
CURRENT, quiescent, boost supply				22	mA
CURRENT, quiescent, total				26	mA
<b>THERMAL</b>					
RESISTANCE, AC, junction to case <sup>3</sup>	Full temperature range, $F > 60Hz$			.9	$^\circ C/W$
RESISTANCE, DC, junction to case	Full temperature range, $F < 60Hz$			1.2	$^\circ C/W$
RESISTANCE <sup>4</sup> , junction to air	Full temperature range		12		$^\circ C/W$
TEMPERATURE RANGE, case	Meets full range specification	-40		85	$^\circ C$

#### NOTES:

- Unless otherwise noted:  $T_C = 25^\circ C$ ,  $C_C = 100\Omega$ ,  $R_C = 470pF$ . DC input specifications are  $\pm$  value given. Power supply voltage is typical rating.  $\pm V_B = \pm V_S$ .
- Long term operation at the maximum junction temperature will result in reduced product life. Derate internal power dissipation to achieve high MTTF. For guidance, refer to the heatsink data sheet.
- Rating applies if the output current alternates between both output transistors at a rate faster than 60 Hz.
- The MP39 must be used with a heat sink or the quiescent power may drive the unit to junction temperatures higher than 175°C.

**CAUTION** The MP39 is constructed from MOSFET transistors. ESD handling procedures must be observed.



# MP39

## GENERAL

Please read Application Note 1 "General Operating Considerations" which covers stability, supplies, heat sinking, mounting, current limit, SOA interpretation, and specification interpretation. Visit [www.apexmicrotech.com](http://www.apexmicrotech.com) for design tools that help automate tasks such as calculations for stability, internal power dissipation, current limit; heat sink selection; Apex's complete Application Notes library; Technical Seminar Workbook; and Evaluation Kits.

## CURRENT LIMIT

The two current limit sense lines are to be connected directly across the current limit sense resistor. **For the current limit to work correctly pin 24 must be connected to the amplifier output side and pin 23 connected to the load side of the current limit resistor,  $R_{CL}$ , as shown in Figure 1.** This connection will bypass any parasitic resistances,  $R_p$ , formed by sockets and solder joints as well as internal amplifier losses. The current limiting resistor may not be placed anywhere in the output circuit except where shown in Figure 1.

The value of the current limit resistor can be calculated as follows:

$$R_{CL} = \frac{.7}{I_{LIMIT}}$$

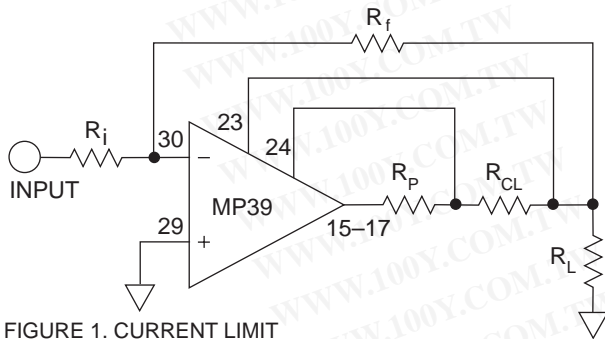


FIGURE 1. CURRENT LIMIT

## BOOST OPERATION

With the  $V_B$  feature the small signal stages of the amplifier are operated at higher supply voltages than the amplifier's high current output stage.  $+V_S$  (pins 12-14) and  $-V_S$  (pins 18-20) are connected to the high current output stage. An additional 10V on the  $V_B$  pins is sufficient to allow the small signal stages to drive the output transistors into saturation and improve the output voltage swing for extra efficient operation when required. When close swing to the supply rails is not required the  $+V_B$  and  $+V_S$  pins must be strapped together as well as the  $-V_B$  and  $-V_S$  pins. The boost voltage pins must not be at a voltage lower than the  $V_S$  pins.

## BYPASSING

Proper bypassing of the power supply pins is crucial for proper operation. Bypass the  $\pm V_S$  pins with a aluminum electrolytic capacitor with a value of at least  $10\mu F$  per amp of expected output current. In addition a  $.47\mu F$  to  $1\mu F$  ceramic capacitor should be placed in parallel with each aluminum electrolytic capacitor. Both of these capacitors have to be placed as close to the power supply pins as physically possible. If not connected to the  $V_S$  pins (See BOOST OPERATION) the  $V_B$  pins should also be bypassed with a  $.47\mu F$  to  $1\mu F$  ceramic capacitor.

## USING THE $I_q$ PIN FUNCTION

Pin 25 ( $I_q$ ) can be tied to pin 6 ( $Cc1$ ) to eliminate the class AB biasing current from the output stage. Typically this would remove 1-4 mA of quiescent current. The resulting decrease in quiescent power dissipation may be important in some applications. Note that implementing this option will raise the output impedance of the amplifier and increase crossover distortion as well.

## COMPENSATION

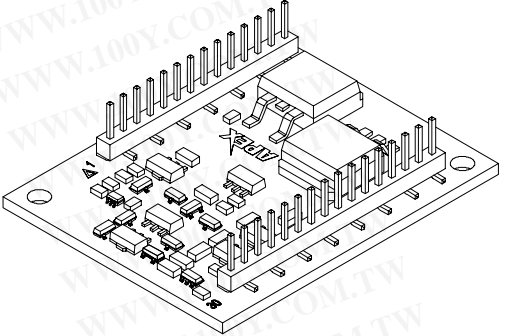
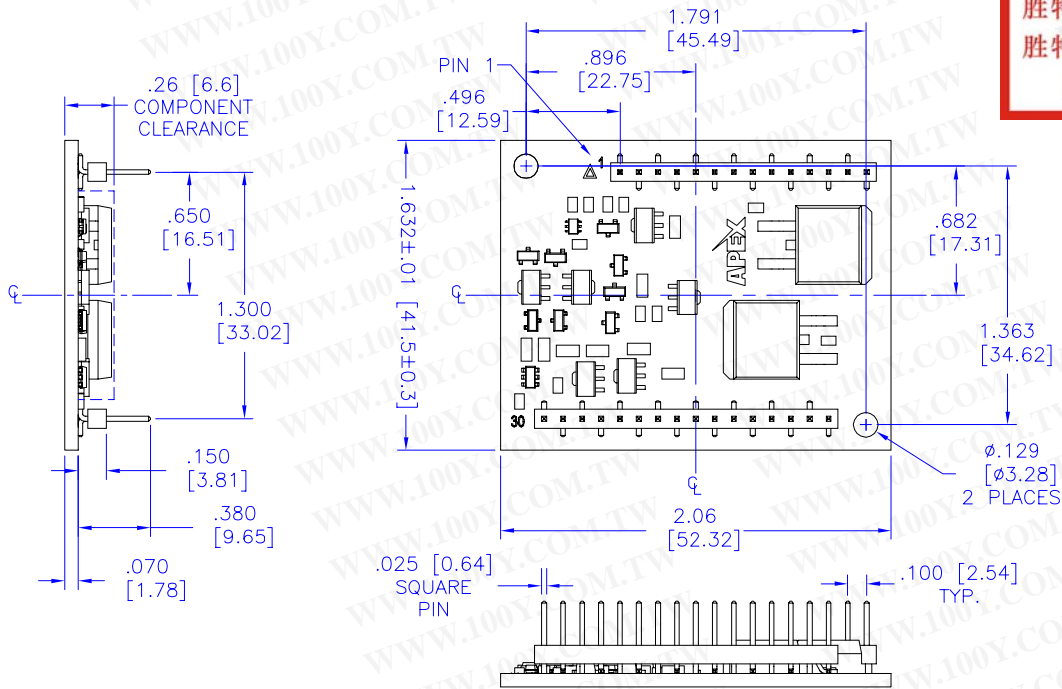
The external compensation components  $C_c$  and  $R_c$  are connected to pins 4 and 6. Unity gain stability can be achieved at any compensation capacitance greater than  $470\text{ pF}$  with at least 60 degrees of phase margin. At higher gains more phase shift can be tolerated in most designs and the compensation capacitance can accordingly be reduced, resulting in higher bandwidth and slew rate.

## APPLICATION REFERENCES

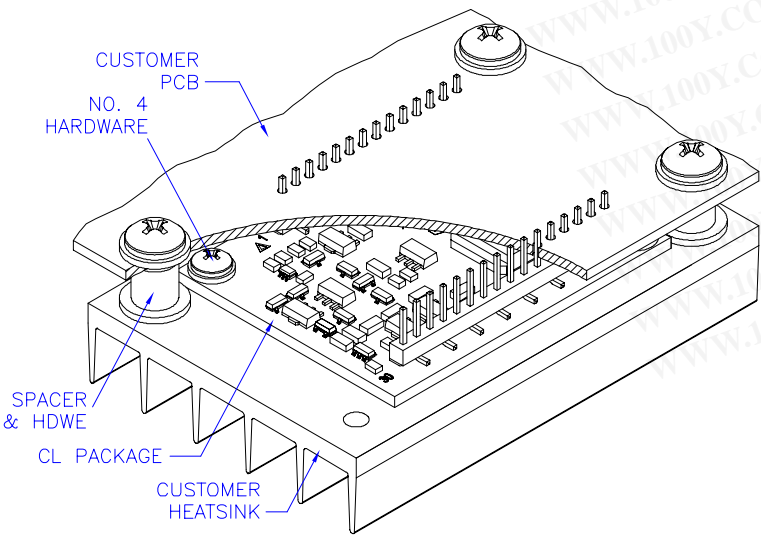
For additional technical information please refer to the following application notes.

- AN 1 General Operating Considerations
- AN 11 Thermal Techniques
- AN 38 Loop Stability with Reactive Loads

勝特力材料 886-3-5753170  
 勝特力电子(上海) 86-21-54151736  
 勝特力电子(深圳) 86-755-83298787  
[Http://www.100y.com.tw](http://www.100y.com.tw)



**SUGGESTED MOUNTING METHOD**



**NOTES:**

1. Dimensions are inches; alternate units are [mm].
2. Recommended PCB hole diameter for pins: .050"
3. 2 oz. copper over 600V dielectric over aluminum substrate
4. Tin-nickel plated phosphor bronze pins
5. Package weight: 0.56 oz. [15.9 g]
6. Mount with #4 or equivalent screws.
7. It is not recommended that mounting of the package rely on the pins for mechanical support. The mounting method shown does not represent a specific design solution or the only way to mount the package.
8. Care must be exercised in designing the mating board, to avoid interference among board components.

TOLERANCES - UNLESS OTHERWISE SPECIFIED

.XX	= ±.01
.XXX	= ±.005
ANG.	= ±.5°



TITLE <b>MODULAR 30-PIN DIP, 1.3 SPACING</b>		MODEL <b>CL</b>	
SUBJECT MECHANICAL PACKAGE OUTLINE			
ENG. D-M	TECH/OWN. D-M	DCA 30304	SH. OF 1 1
FILENAME: CL-A	REV A	DATE 04/21/03	