

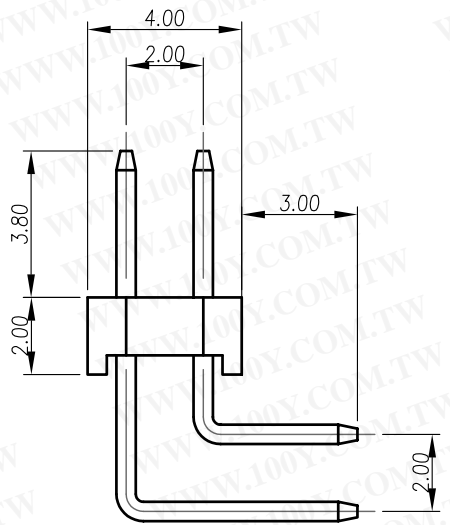
勝特力材料 886-3-5753170  
 勝特力电子(上海) 86-21-54151736  
 勝特力电子(深圳) 86-755-83298787  
[Http://www.100y.com.tw](http://www.100y.com.tw)

REV	MODIFICATION	DATE	DRAW

NOTES:  
 SPECIFICATION  
 1.Current Rating: 1A  
 2.Withstanding Voltage: 600 VAC ( 1 Minute)  
 3.Insulation Resistance: 1000 Megohms Min.  
 4.Contact Resistance: 30 Milliohms Max.  
 5.Operating Temperature: -55°C to +105°C

MATERIAL  
 1.Contact: Phosphor Bronze  
 2.Insulator: NYLON-6T(UL 94V-0)  
 3.Plated:  
 UNDERPLATING : NICKEL PLATING FOR ALL 80u"~120u".  
 ALL PLATING : TIN-LEAD 90/10 PLATING 100u"~200u".

ORDER INFORMATION  
 MPHRI-2 XX 30B000  
 NO. OF CONTACT



DIMENSION IN mm [Inch]		PROD. SPEC.	C	
TOLERANCE UNLESS OTHERWISE SPECIFIED		PKG. SPEC.	TITLE	
.X±0.30	X.*± 1°	APPROVE	HEADER MALE 2.00mm D/R R/A	CUSTOMER DRAWING
.XX±0.20	.X.*± 0.5°	CHECK	FILE NO.	DWG NO. MPHRI-2XX30B000
.XXX±0.10	.XX.*± 0.25°	DRAW	SIZE A4	PROJ.  SHEET 1 / 1
			SCALE 5:1	REV A