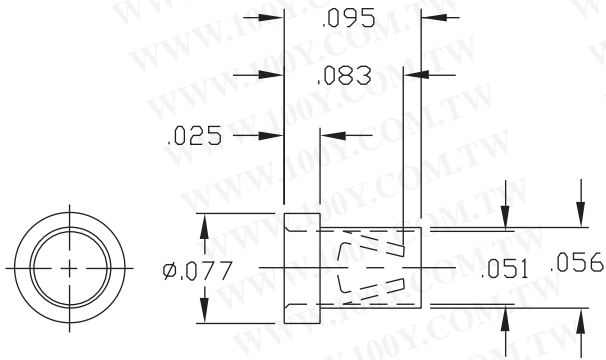


CAGE JACKS & MATING SOCKETS

REFER TO APPLICATION NOTE 11 FOR MOUNTING TECHNIQUES USING CAGE JACKS AND MATING SOCKETS

MS08/CAGE JACK

PACKAGE OF 15 FOR PC CARD INSERTION
FOR SIP12, DIP10, 7TO220 PACKAGES



Solder mount in $.059/.061$ mounting hole

Body: Brass

Finish: 200μ in. Tin/Lead over Nickel

Contact: 30μ in. Gold over Nickel

勝特力材料 886-3-5753170
勝特力电子(上海) 86-21-54151736
勝特力电子(深圳) 86-755-83298787
[Http://www.100y.com.tw](http://www.100y.com.tw)