

● Part Numbering

Isolators

(Part Number)



① Product ID

Product ID	
CE	Isolators

② Series

Code	Series
S30	3.2×3.2×1.6mm
S31	3.2×3.2×1.5mm
S32	3.2×3.2×1.5mm
S40	4.0×4.0×1.6mm
S41	4.0×4.0×1.5mm

③ Nominal Center Frequency

Expressed by four-digits alphanumeric. If the unit is "MHz", it is expressed by three figures plus "M". If the unit is "GHz", a decimal point is expressed by capital letter "G".

④ Individual Specification Code

Expressed by three letters and one figure.

⑤ Packaging

Code	Packaging
RAB	500 pcs. /Reel (CES30, CES40, CES41)
RB2	2000 pcs. /Reel (CES30, CES40, CES41)
RB3	3000 pcs. /Reel (CES31, CES32)

勝特力材料 886-3-5753170
 勝特力电子(上海) 86-21-54151736
 勝特力电子(深圳) 86-755-83298787
[Http://www.100y.com.tw](http://www.100y.com.tw)

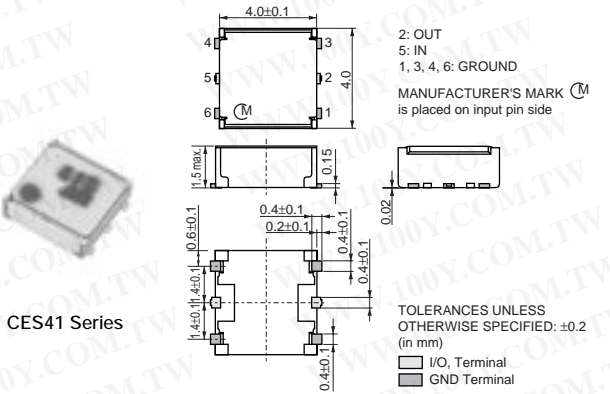
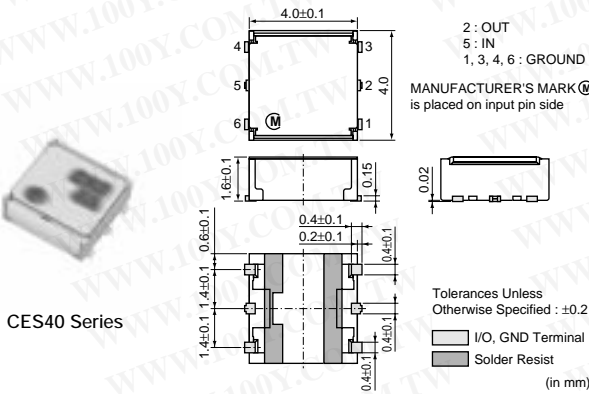
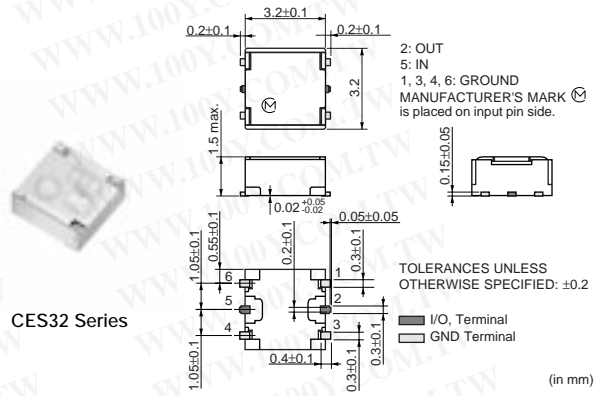
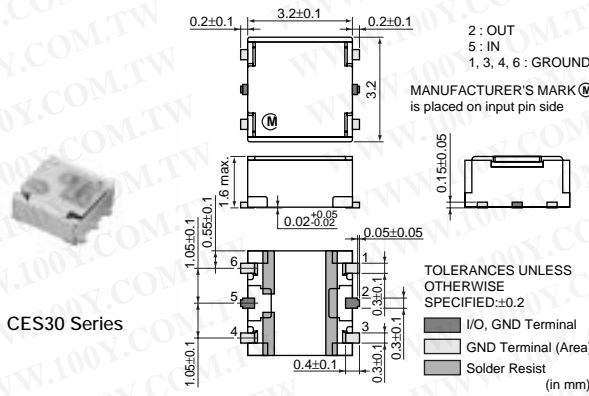
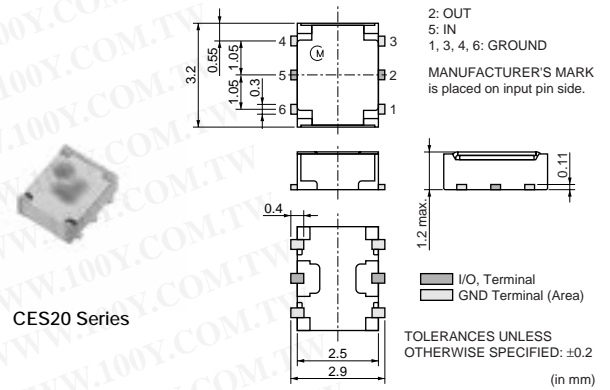
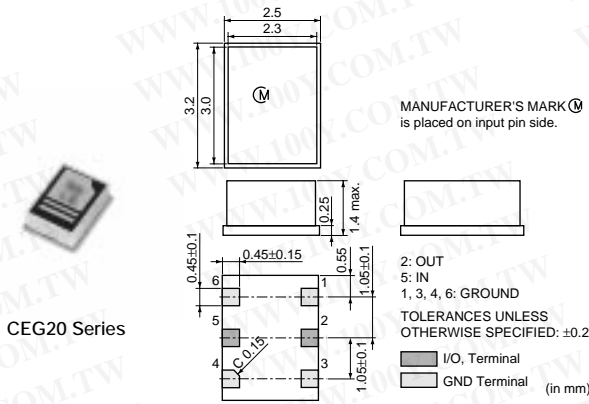


勝特力材料 886-3-5753170
 勝特力电子(上海) 86-21-54151736
 勝特力电子(深圳) 86-755-83298787
[Http://www.100y.com.tw](http://www.100y.com.tw)

Specification

Global Part Number	CES40897MDCB000
Previous Part Number	CES40897MDCB000
Fo	897.5MHz
Bandwidth	35MHz
Operating Temperature (1)	-35 to +85degree C
IL at BW (1) (max.)	0.75dB
Isolation (1) (min.)	10dB
VSWR/Forward (1) (max.)	1.4
VSWR/Reverse (1) (max.)	1.7
Rating Power (1) (max.)	2.5W
Reflection Power (1) (max.)	0.6W
Operating Temperature (2)	+20 to +30degree C
IL at BW (2) (max.)	0.65dB
Isolation (2) (min.)	13dB
VSWR/Forward (2) (max.)	1.25
VSWR/Reverse (2) (max.)	1.53
Rating Power (2) (max.)	2.5W
Reflection Power (2) (max.)	0.6W
Impedance	50ohm
Attenuation(1)	1760 to 1830MHz 12dB min.
Attenuation(2)	2640 to 2745MHz 20dB min.

Isolators



Part Number	Fo (MHz)	IL at BW (max.) (dB)	Isolation (min.) (dB)	Rating Power (max.) (W)
CEG20835MCCB000	835	0.6	13	2.5
CEG20836MDCB000	836.5	0.6	10	2.5
CEG20911MDCB000	911.5	0.6	10	2.5
CEG21835MCCB000	835	0.6	13	2.5
CEG21836MDCB000	836.5	0.6	11	2.5
CEG21911MDCB000	911.5	0.6	10	2.5
CES201G76CCB000	1767.5	0.61	13	2.5
CES201G88DCB000	1880	0.63	13	2.5
CES201G95DCB000	1950	0.6	13	2.5
CES301G44CCB000	1441	0.64	12.5	2.5
CES301G45CCB000	1453.5	0.64	12	2.5
CES301G76CCB000	1765	0.7	12	2.5
CES301G88DCB000	1880	0.64	13	2.5

Continued from the preceding page.

Part Number	Fo (MHz)	IL at BW (max.) (dB)	Isolation (min.) (dB)	Rating Power (max.) (W)
CES301G90CCB000	1900	0.62	14.5	2.5
CES301G95DCB000	1950	0.6	13	2.5
CES321G88DCB000	1880	0.58	13	2.5
CES321G95DCB000	1950	0.55	13	2.5
CES40836MDCB000	836.5	0.75	10.5	2.5
CES40897MDCB000	897.5	0.75	10	2.5
CES40906MDCB000	906	0.78	10	2.5
CES41906MDCB000	906	0.68	10	2.5

勝特力材料 886-3-5753170
 勝特力电子(上海) 86-21-54151736
 勝特力电子(深圳) 86-755-83298787
[Http://www.100y.com.tw](http://www.100y.com.tw)