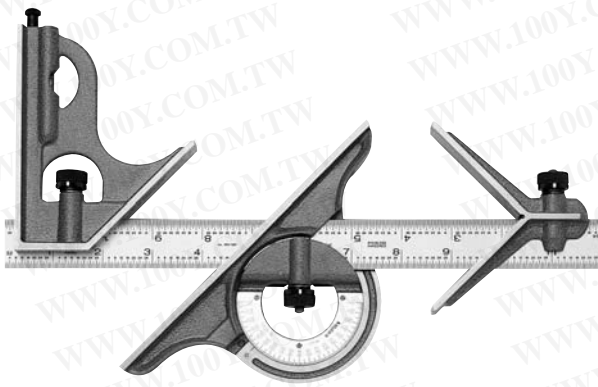
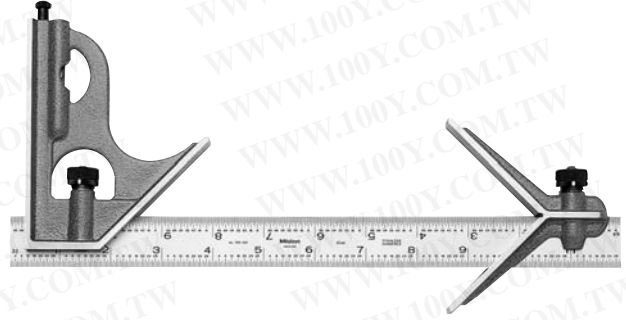


Combination Square Sets

SERIES 180



180-905 (Complete set)



180-903 (Semi-complete set)

FEATURES

- Three measuring heads are attached to the stainless steel rule (blade), allowing versatile measurements on various types of workpieces.
 Square head — Used to set the rule at 90 degrees or 45 degrees to an edge of a workpiece.
 Center head — Used to locate centers of round workpieces.
 Protractor head — Used to set the rule at a desired angle to an edge of a workpiece. Also used for measuring angles.
- The measuring heads are hardened.
- Economy sets not including a protractor head are also available.

勝特力材料 886-3-5753170
 勝特力电子(上海) 86-21-54151736
 勝特力电子(深圳) 86-755-83298787
[Http://www.100y.com.tw](http://www.100y.com.tw)

Blades (Individual)

Range	Order No.	Graduation
150mm	180-405	1mm, 0.5mm, 1mm, 0.5mm
300mm	180-505	1mm, 0.5mm, 1mm, 0.5mm
450mm	180-705	1mm, 0.5mm, 1mm, 0.5mm
600mm	180-605	1mm, 0.5mm, 1mm, 0.5mm
6"/150mm	180-403	1/32", 1/64", 1mm, 0.5mm
12"/300mm	180-503	1/32", 1/64", 1mm, 0.5mm
18"/450mm	180-703	1/32", 1/64", 1mm, 0.5mm
24"/600mm	180-603	1/32", 1/64", 1mm, 0.5mm
6"	180-401	1/8", 1/16", 1/32", 1/64"
6"	180-402	1/32", 1/50", 1/64", 1/100"
12"	180-501	1/8", 1/16", 1/32", 1/64"
12"	180-502	1/32", 1/50", 1/64", 1/100"
18"	180-701	1/8", 1/16", 1/32", 1/64"
18"	180-702	1/32", 1/50", 1/64", 1/100"
24"	180-601	1/8", 1/16", 1/32", 1/64"
24"	180-602	1/32", 1/50", 1/64", 1/100"

Measuring Heads (Individual)

Order No.	Description	Remarks
180-101	Square head	For 150mm (6") blades
180-102	Square head	For 300mm (12"), 450mm (18"), 600mm (24") blades
180-201	Center head	For 150mm (6") blades
180-202	Center head	For 300mm (12"), 450mm (18"), 600mm (24") blades
180-301	Protractor head	For 300mm (12"), 450mm (18"), 600mm (24") blades

SPECIFICATIONS

Metric Combination Square Sets			
Size	Order No. Complete	Order No. Semi-complete	Remarks
150mm	—	180-919	With blade (180-405)
300mm	180-910	180-920	With blade (180-505)

Inch/Metric Combination Square Sets			
Size	Order No. Complete	Order No. Semi-complete	Remarks
6"/150mm	—	180-915	With blade (180-403)
12"/300mm	180-907	180-909	With blade (180-503)

Inch Combination Square Sets			
Size	Order No. Complete	Order No. Semi-complete	Remarks
6"	—	180-901	With blade (180-401)
6"	—	180-902	With blade (180-402)
12"	180-905	180-903	With blade (180-501)
12"	180-906	180-904	With blade (180-502)

MISCELLANEOUS

3456
1234