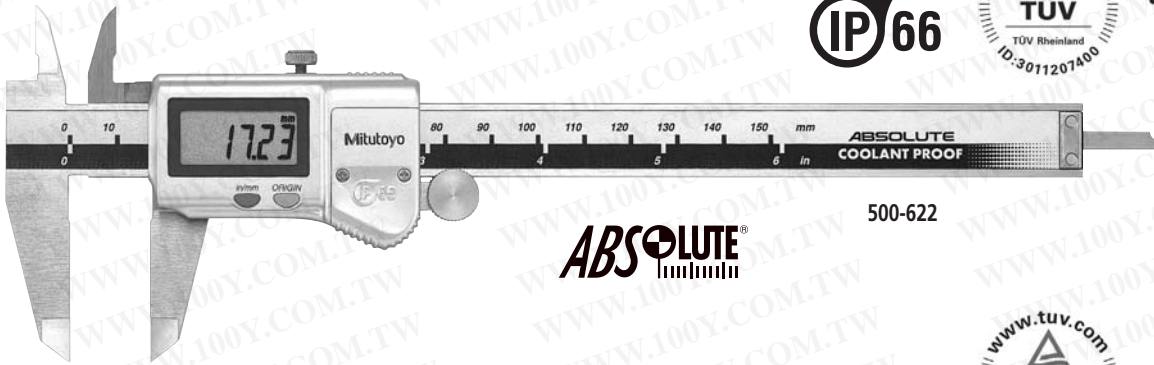


# Absolute Coolant Proof Caliper

SERIES 500 — with Dust/Water Protection Conforming to IP66/67 Level



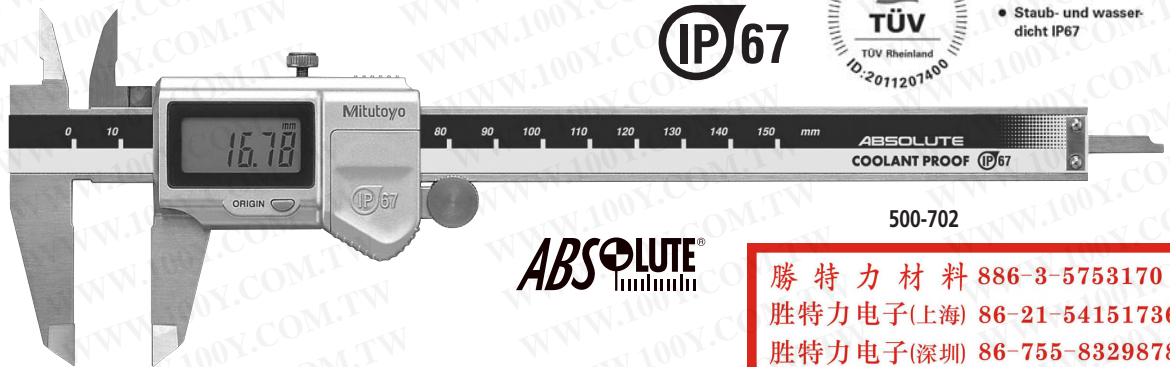
IP66



• Staubdicht und wasser-  
geschützt IP66

500-622

ABSOLUTE



IP67



• Staub- und wasser-  
dicht IP67

500-702

ABSOLUTE

勝特力材料 886-3-5753170  
 勝特力电子(上海) 86-21-54151736  
 勝特力电子(深圳) 86-755-83298787  
[Http://www.100y.com.tw](http://www.100y.com.tw)

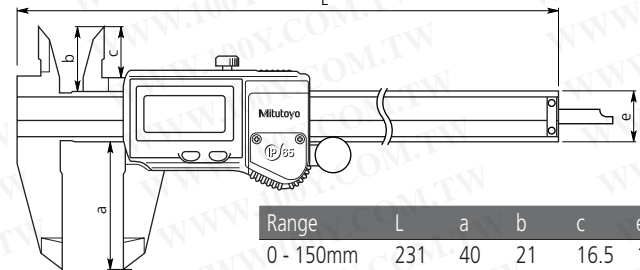
## FEATURES

- Can be used in workshop conditions exposed to coolant, water, dust or oil.
- Easy to use - no need to wipe or clean the scale.
- Advanced design styling.
- Incorporates absolute measurement system.
- Automatic power-on/off.
- Data output function.

## Technical Data

**Display:** LCD  
**Functions:** Origin-Set, Automatic power on/off, inch/mm conversion (inch/mm type only)/Data output  
**Battery:** SR44 (2 pc.) (938882)  
**Battery life:** Approx. 1.5 years under normal use  
**Maximum response speed:** Unlimited  
**Dust/Water protection level:** Conforming to IP66/IP67  
**Alarm:** Low voltage, counting value composition error  
**Operating temperature:** 0°C to 40°C

## Dimensions



Range	L	a	b	c	e
0 - 150mm	231	40	21	16.5	16
0 - 200mm	288	50	24.5	20	16
0 - 300mm	408	64	28	21.8	20



CERTIFICATE OF INSPECTION / CERTIFICAT DE CONTROLE		Inspection result/Résultats				(08/17)
Product name/Catégorie	Digital Caliper/Plat à coulisse Digital	Measuring length	Permissible values	Instrumental error/Erreur	Internal/Interne	
Model No./Modèle	CD-15PB	Reaction de mesure	Erreur admissible	Erreur/Erreur	Interne/Interne	
Code No./Référence	938882		+0.01	---	---	
Serial No./No. de série	01416111		-0.03	---	-0.01	
Measuring range/Capacité de mesure	0-150mm	0	0.00	---	---	
Minimum indicator/Resolution	0.01mm	90	0.00	---	0.01	
Standard Temperature /	20°C	100	±0.02	-0.01	0.00	Unit:mm
Température de Référence		150	---	-0.01	0.00	Unit:mm
QC Manager/Responsable Qualité Contrôle	<i>[Signature]</i>	200	---	---	---	Unit:mm
QC Manager/Responsable Qualité Contrôle	<i>[Signature]</i>	φ 0.18	+0.0005	---	---	
Inspection standard : Mitutoyo standard		0	-0.0015	---	---	
Based on : JISB7507:1966, DIN862:1966		2	---	---	---	
Traceable to : NMI/JANIST by JCS8 No.2020-14017 via 8211089634-03		4	---	---	---	
PTB via 37168 PTB 02-0340 PTB 03		6	±0.0010	---	---	Unit:inch
		8	---	---	---	Unit:inch
Overall Judgment: Passed /Passé/Conformité: conforme						
Mitutoyo Corporation						

勝特力材料 886-3-5753170  
 勝特力电子(上海) 86-21-54151736  
 勝特力电子(深圳) 86-755-83298787  
[Http://www.100y.com.tw](http://www.100y.com.tw)

## SPECIFICATIONS

Metric		IP66 model			
Range	Order No.	Resolution	Accuracy	Mass	Remarks
0 - 150mm	500-622	0.01mm	±0.02mm	168g	With thumb roller
	500-626	0.01mm	±0.02mm	164g	—
	500-632	0.01mm	±0.02mm	168g	With data output and thumb roller
	500-637	0.01mm	±0.02mm	164g	With data output
0 - 200mm	500-623	0.01mm	±0.02mm	198g	With thumb roller
	500-627	0.01mm	±0.02mm	194g	—
	500-633	0.01mm	±0.02mm	198g	With data output and thumb roller
	500-638	0.01mm	±0.02mm	194g	With data output
0 - 300mm	500-624	0.01mm	±0.02mm	350g	With thumb roller
	500-628	0.01mm	(≤200mm)	345g	—
	500-634	0.01mm	±0.03mm	350g	With data output and thumb roller
	500-639	0.01mm	(>200mm)	345g	With data output

Excluding quantizing error

Inch/Metric		IP66 model			
Range	Order No.	Resolution	Accuracy	Mass	Remarks
0 - 6" (0 - 150mm)	500-672	.0005"/0.01mm	±.001"	.37 lbs.	With thumb roller
	500-682	.0005"/0.01mm	±.001"	.37 lbs.	With data output and thumb roller
0 - 8" (0 - 200mm)	500-673	.0005"/0.01mm	±.001"	.43 lbs.	With thumb roller
	500-683	.0005"/0.01mm	±.001"	.43 lbs.	With data output and thumb roller
0 - 10" (0 - 300mm)	500-674	.0005"/0.01mm	±.001" (≤8")	.77 lbs.	With thumb roller
	500-684	.0005"/0.01mm	±.0015" (>8")	.77 lbs.	With data output and thumb roller

Excluding quantizing error

Metric		IP67 model			
Range	Order No.	Resolution	Accuracy	Mass	Remarks
0 - 150mm	500-702	0.01mm	±0.02mm	168g	With thumb roller
	500-706	0.01mm	±0.02mm	164g	—
	500-712	0.01mm	±0.02mm	168g	With data output and thumb roller
	500-716	0.01mm	±0.02mm	164g	With data output
0 - 200mm	500-703	0.01mm	±0.02mm	198g	With thumb roller
	500-707	0.01mm	±0.02mm	194g	—
	500-713	0.01mm	±0.02mm	198g	With data output and thumb roller
	500-717	0.01mm	±0.02mm	194g	With data output

Excluding quantizing error

Inch/Metric		IP67 model			
Range	Order No.	Resolution	Accuracy	Mass	Remarks
0 - 6" (0 - 150mm)	500-752	.0005"/0.01mm	±.001"	.37 lbs.	With thumb roller
	500-762	.0005"/0.01mm	±.001"	.37 lbs.	With data output and thumb roller
0 - 8" (0 - 200mm)	500-753	.0005"/0.01mm	±.001"	.43 lbs.	With thumb roller
	500-763	.0005"/0.01mm	±.001"	.43 lbs.	With data output and thumb roller

Excluding quantizing error

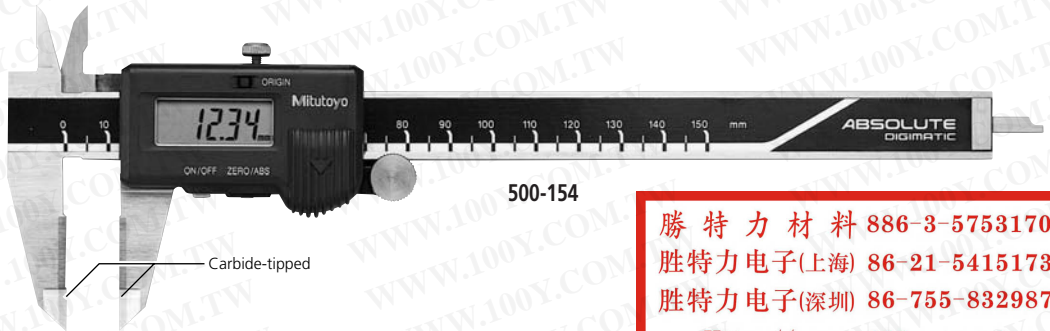


# Absolute Digimatic Caliper

SERIES 500 — with Exclusive Absolute Encoder Technology



500-171



Carbide-tipped

500-154

勝特力材料 886-3-5753170  
 勝特力电子(上海) 86-21-54151736  
 勝特力电子(深圳) 86-755-83298787  
[Http://www.100y.com.tw](http://www.100y.com.tw)



500-505-10

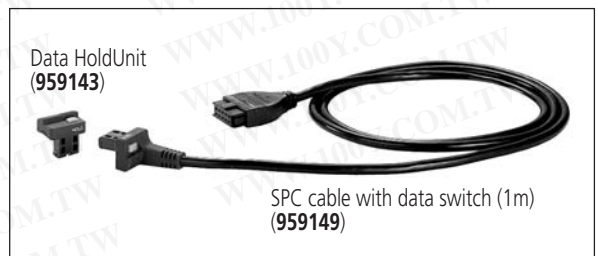
Mitutoyo's absolute Digimatic Caliper is the next generation of electronic calipers. It keeps track of its origin point once set. Whenever turned on, the large LCD screen displays the actual slider position ready to start measurement. No more repeated zero setting is necessary with the absolute encoder technology as well as no more care for overspeed errors.

## FEATURES

- Large and clear LCD readout.
- The ZERO/ABS key allows the display to be Zero-Set at any slider position along the scale for incremental comparison measurements. This switch will also allow return to the absolute (ABS) coordinate and display of the true position from the origin point (usually jaws-closed point).
- Data Hold Unit (**959143**) is optional.
- Carbide-tipped jaw type calipers are also available.

## Technical Data

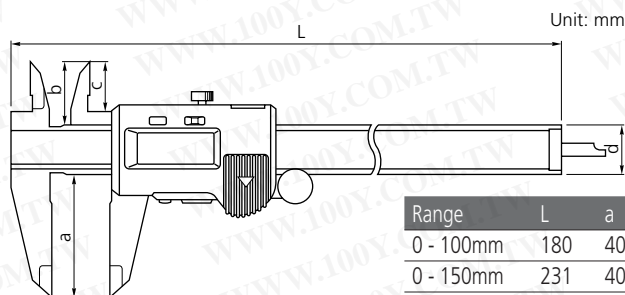
**Display:** LCD  
**Functions:** Origin-Set, Zero-Set, power on/off, inch/mm conversion (inch/mm type only), SPC data output, data hold (optional)  
**Battery:** SR44 (1 pc.) (**938882**)  
**Battery life:** Approx. 3.5 years under normal use  
**Maximum response speed:** Unlimited  
**Alarm:** Low battery voltage, scale contamination, counting value composition error  
**Operating temperature:** 0°C to 40°C



## OPTIONAL ACCESSORIES

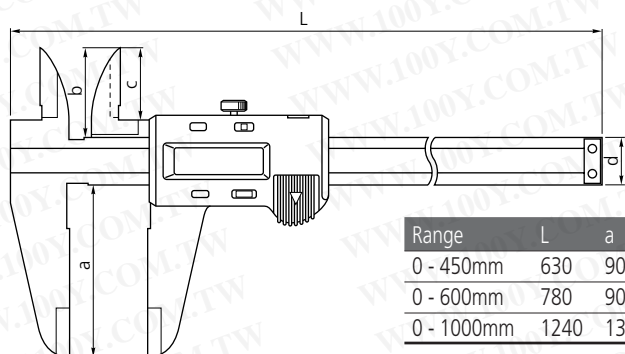
Order No.	Description
959143	Data Hold Unit
959149	SPC cable with data switch (1m)
959150	SPC cable with data switch (2m)

## Dimensions



**勝特力材料 886-3-5753170**  
**勝特力电子(上海) 86-21-54151736**  
**勝特力电子(深圳) 86-755-83298787**  
[Http://www.100y.com.tw](http://www.100y.com.tw)

Range	L	a	b	c	d
0 - 100mm	180	40	21	16.5	16
0 - 150mm	231	40	21	16.5	16
0 - 200mm	288	50	24.5	20	16
0 - 300mm	403	64	27.5	22	20



Range	L	a	b	c	d
0 - 450mm	630	90	47	38	25
0 - 600mm	780	90	47	38	25
0 - 1000mm	1240	130	61	50	32

## SPECIFICATIONS

### Metric

Range	Order No.	Resolution	Accuracy	Mass	Remarks
0 - 100mm	<b>500-150</b>	0.01mm	±0.02mm	137g	With depth measuring rod (ø1.9mm)
0 - 150mm	<b>500-151</b>	0.01mm	±0.02mm	162g	With depth measuring bar (blade)
	<b>500-154*</b>	0.01mm	±0.02mm	162g	With depth measuring bar (blade)
	<b>500-155**</b>	0.01mm	±0.02mm	162g	With depth measuring bar (blade)
	<b>500-158</b>	0.01mm	±0.02mm	162g	With depth measuring rod (ø1.9mm)
0 - 200mm	<b>500-152</b>	0.01mm	±0.02mm	192g	With depth measuring bar (blade)
	<b>500-156*</b>	0.01mm	±0.02mm	192g	With depth measuring bar (blade)
	<b>500-157**</b>	0.01mm	±0.02mm	192g	With depth measuring bar (blade)
0 - 300mm	<b>500-153</b>	0.01mm	±0.03mm	350g	With depth measuring bar (blade)
0 - 450mm	<b>500-500-10</b>	0.01mm	±0.05mm	1170g	—
0 - 600mm	<b>500-501-10</b>	0.01mm	±0.05mm	1350g	—
0 - 1000mm	<b>500-502-10</b>	0.01mm	±0.07mm	3300g	—

\*Provided with carbide-tipped jaws for OD measurement.

\*\*Provided with carbide-tipped jaws for OD & ID measurements.

Excluding quantizing error

### Inch/Metric

Range	Order No.	Resolution	Accuracy	Mass	Remarks
0 - 4" (0 - 100mm)	<b>500-170</b>	.0005"/0.01mm	±.0010"	.30 lbs.	With depth measuring rod (ø3/40")
0 - 6" (0 - 150mm)	<b>500-171</b>	.0005"/0.01mm	±.0010"	.36 lbs.	With depth measuring bar (blade)
	<b>500-174*</b>	.0005"/0.01mm	±.0010"	.36 lbs.	With depth measuring bar (blade)
	<b>500-175</b>	.0005"/0.01mm	±.0010"	.36 lbs.	With depth measuring bar (blade)
	<b>500-178</b>	.0005"/0.01mm	±.0010"	.36 lbs.	With depth measuring rod (ø3/40")
0 - 8" (0 - 200mm)	<b>500-172</b>	.0005"/0.01mm	±.0010"	.42 lbs.	With depth measuring bar (blade)
	<b>500-176*</b>	.0005"/0.01mm	±.0010"	.42 lbs.	With depth measuring bar (blade)
	<b>500-177**</b>	.0005"/0.01mm	±.0010"	.42 lbs.	With depth measuring bar (blade)
0 - 12" (0 - 300mm)	<b>500-173</b>	.0005"/0.01mm	±.0015"	.77 lbs.	With depth measuring bar (blade)
	<b>500-167*</b>	.0005"/0.01mm	±.0015"	.77 lbs.	With depth measuring bar (blade)
	<b>500-168**</b>	.0005"/0.01mm	±.0015"	.77 lbs.	With depth measuring bar (blade)
0 - 18" (0 - 450mm)	<b>500-505-10</b>	.0005"/0.01mm	±.0020"	2.57 lbs.	—
0 - 24" (0 - 600mm)	<b>500-506-10</b>	.0005"/0.01mm	±.0020"	2.97 lbs.	—
0 - 40" (0 - 1000mm)	<b>500-507-10</b>	.0005"/0.01mm	±.0030"	7.26 lbs.	—

\*Provided with carbide-tipped jaws for OD measurement.

\*\*Provided with carbide-tipped jaws for OD & ID measurements.

Excluding quantizing error



# Absolute Digimatic Caliper

SERIES 500 — with Economical Design

勝特力材料 886-3-5753170  
 勝特力电子(上海) 86-21-54151736  
 勝特力电子(深圳) 86-755-83298787  
[Http://www.100y.com.tw](http://www.100y.com.tw)



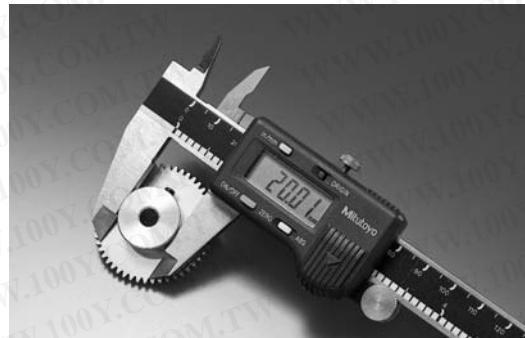
**ABSOLUTE**  
DIGIMATIC

500-196

CALIPERS

## FEATURES

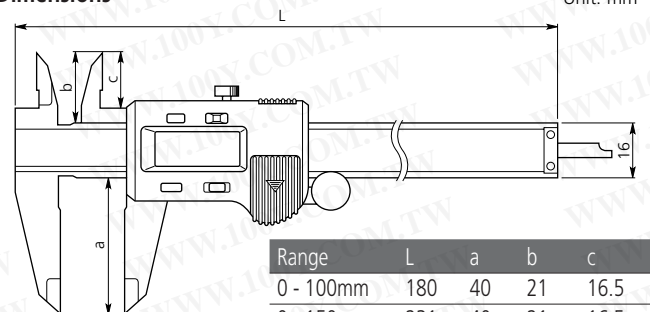
- Large and clear LCD readout.
- Low price due to the design featuring only essential functions.
- ZERO/ABS key: Allows the display to be Zero-Set at any slider position along the scale for incremental comparison measurements. This switch will also allow return to the absolute mode and display of the true position from the origin point.



## Technical Data

**Display:** LCD  
**Functions:** Origin-Set, Zero-Set, power on/off, inch/mm conversion (inch/mm type only)  
**Battery:** SR44 (1 pc.) (938882)  
**Battery life:** Approx. 3.5 years under normal use  
**Maximum response speed:** Unlimited  
**Alarm:** Low voltage, scale contamination, counting value composition error  
**Operating temperature:** 0°C to 40°C

## Dimensions



Range	L	a	b	c
0 - 100mm	180	40	21	16.5
0 - 150mm	231	40	21	16.5
0 - 200mm	288	50	24.5	20

## SPECIFICATIONS

### Metric

Range	Order No.	Resolution	Accuracy	Mass	Remarks
0 - 100mm	<b>500-180</b>	0.01mm	±0.02mm	137g	With depth measuring rod (ø1.9mm)
0 - 150mm	<b>500-181</b>	0.01mm	±0.02mm	162g	With depth measuring bar (blade)
0 - 200mm	<b>500-182</b>	0.01mm	±0.02mm	192g	With depth measuring bar (blade)

Excluding quantizing error

### Inch/Metric

Range	Order No.	Resolution	Accuracy	Mass	Remarks
0 - 4" (0 - 100mm)	<b>500-195</b>	.0005"/0.01mm	±.0010"	.30 lbs.	With depth measuring rod (ø3/40")
0 - 6" (0 - 150mm)	<b>500-196</b>	.0005"/0.01mm	±.0010"	.36 lbs.	With depth measuring bar (blade)
	<b>500-159*</b>	.0005"/0.01mm	±.0010"	.36 lbs.	With depth measuring bar (blade)
	<b>500-160**</b>	.0005"/0.01mm	±.0010"	.36 lbs.	With depth measuring bar (blade)
0 - 8" (0 - 200mm)	<b>500-197</b>	.0005"/0.01mm	±.0010"	.42 lbs.	With depth measuring bar (blade)
	<b>500-163*</b>	.0005"/0.01mm	±.0010"	.42 lbs.	With depth measuring bar (blade)
	<b>500-164**</b>	.0005"/0.01mm	±.0010"	.42 lbs.	With depth measuring bar (blade)
0 - 12" (0 - 300mm)	<b>500-193</b>	.0005"/0.01mm	±.0015"	.77 lbs.	With depth measuring bar (blade)
	<b>500-165*</b>	.0005"/0.01mm	±.0015"	.77 lbs.	With depth measuring bar (blade)
	<b>500-166**</b>	.0005"/0.01mm	±.0015"	.77 lbs.	With depth measuring bar (blade)

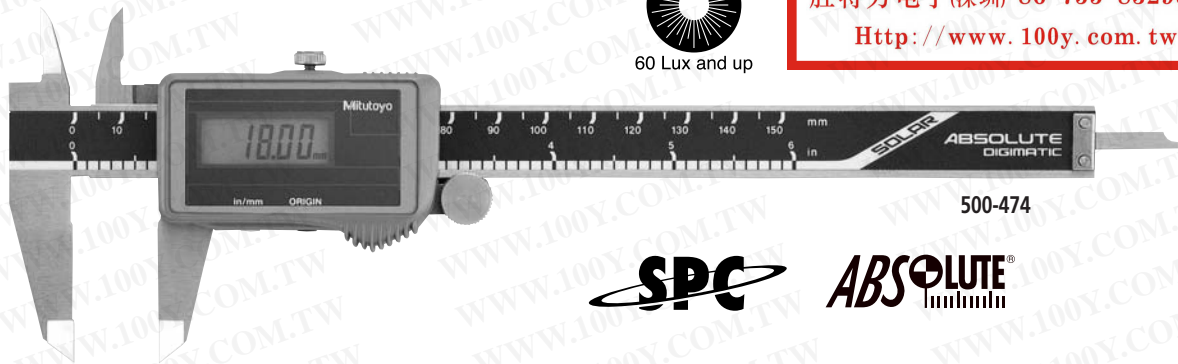
\*Provided with carbide-tipped jaws for OD measurement.  
 \*\*Provided with carbide-tipped jaws for OD & ID measurements.

Excluding quantizing error

# Absolute Solar Caliper

SERIES 500 — Allowing No Need for Battery Replacement

勝特力材料 886-3-5753170  
 胜特力电子(上海) 86-21-54151736  
 胜特力电子(深圳) 86-755-83298787  
[Http://www.100y.com.tw](http://www.100y.com.tw)



500-474



CALIPERS

Mitutoyo's Absolute Solar Digimatic Caliper retains its origin point even the display turns off for the entire life of the caliper. At 60 Lux and up the "MyCAL SOLAR-ABSOLUTE" is turned on ready to start measurement.

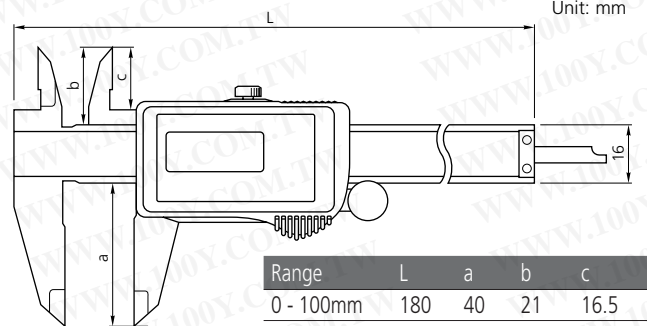
## FEATURES

- No more repeated zero setting caused by the shortage of light intensity.
- Hard-coated solar panel for safe operation.
- No fear for overspeed errors.

## Technical Data

**Display:** LCD  
**Functions:** Origin-Set, inch/mm conversion (inch/mm type only)  
**Light intensity:** 60Lux and up for operation (300Lux and up for origin setting)  
**Maximum response speed:** Unlimited  
**Alarm:** Scale contamination, counting value composition error  
**Operating temperature:** 0°C to 40°C

## Dimensions



Range	L	a	b	c
0 - 100mm	180	40	21	16.5
0 - 150mm	231	40	21	16.5
0 - 200mm	288	50	24.5	20

## OPTIONAL ACCESSORIES

Order No.	Description
959143	Data Hold Unit
959149	SPC cable with data switch (1m)
959150	SPC cable with data switch (2m)

Available for SPC data output model only.

## SPECIFICATIONS

Metric					
Range	Order No.	Resolution	Accuracy	Mass	Remarks
0 - 100mm	500-443	0.01mm	±0.02mm	145g	With depth measuring rod (ø1.9mm)
	500-453*	0.01mm	±0.02mm	125g	With depth measuring rod (ø1.9mm)
0 - 150mm	500-444	0.01mm	±0.02mm	170g	With depth measuring bar (blade)
	500-454*	0.01mm	±0.02mm	150g	With depth measuring bar (blade)
0 - 200mm	500-445	0.01mm	±0.02mm	200g	With depth measuring bar (blade)
	500-455*	0.01mm	±0.02mm	180g	With depth measuring bar (blade)

Excluding quantizing error

Inch/Metric					
Range	Order No.	Resolution	Accuracy	Mass	Remarks
0 - 4" (0 - 100mm)	500-463	0005"/0.01mm	±.001"	.32 lbs.	With depth measuring rod (ø3/40")
	500-473*	0005"/0.01mm	±.001"	.28 lbs.	With depth measuring rod (ø3/40")
0 - 6" (0 - 150mm)	500-464	0005"/0.01mm	±.001"	.37 lbs.	With depth measuring bar (blade)
	500-474*	0005"/0.01mm	±.001"	.33 lbs.	With depth measuring bar (blade)
0 - 8" (0 - 200mm)	500-465	0005"/0.01mm	±.001"	.44 lbs.	With depth measuring bar (blade)
	500-475*	0005"/0.01mm	±.001"	.40 lbs.	With depth measuring bar (blade)

\*Without SPC data output

Excluding quantizing error