

Light-Weight Dial Thickness Gage

SERIES 7



Ceramic spindle/anvil

7331

Application

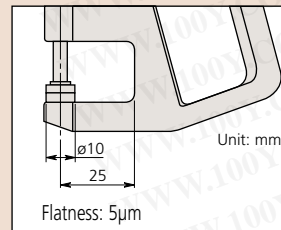
Measuring paper thickness



Measuring thickness of a human hair



DIMENSION



SPECIFICATIONS

Metric

Range	Order No.	Dial reading	Accuracy	Measuring force
0 - 10mm	7331	0.01mm	±20μm	1.4N or less

勝特力材料 886-3-5753170
 勝特力电子(上海) 86-21-54151736
 勝特力电子(深圳) 86-755-83298787
[Http://www.100y.com.tw](http://www.100y.com.tw)

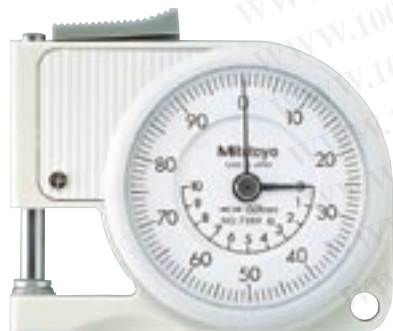
Pocket Thickness Gage

SERIES 7

A very compact thickness gage is designed for carrying convenience and is ideally suited for quick inspection of paper, leather, wire, plastic, sheet metal and similar materials. The spindle is pre-loaded to provide a constant measuring force (2N or less).

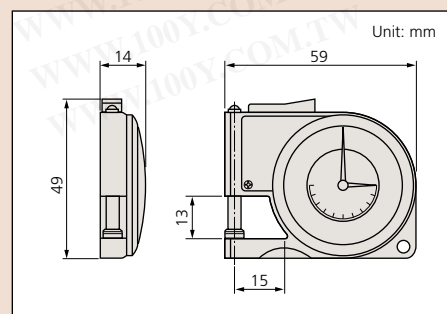
FEATURES

- Measuring faces are hardened, ground and lapped for accuracy.
- Easy adjustment for zero point.



7309

DIMENSION



SPECIFICATIONS

Metric

Range	Order No.	Dial reading	Accuracy
0 - 10mm	7309	0.01mm	±20μm

Inch

Range	Order No.	Dial reading	Accuracy
0 - .4"	7308	.001"	±.001"