



# Low Noise, Low Drift Single-Supply Operational Amplifiers

## OP113/OP213/OP413

### FEATURES

Single- or Dual-Supply Operation  
 Low Noise: 4.7 nV/ $\sqrt{\text{Hz}}$  @ 1 kHz  
 Wide Bandwidth: 3.4 MHz  
 Low Offset Voltage: 100  $\mu\text{V}$   
 Very Low Drift: 0.2  $\mu\text{V}/^\circ\text{C}$   
 Unity Gain Stable  
 No Phase Reversal

### APPLICATIONS

Digital Scales  
 Multimedia  
 Strain Gages  
 Battery Powered Instrumentation  
 Temperature Transducer Amplifier

### GENERAL DESCRIPTION

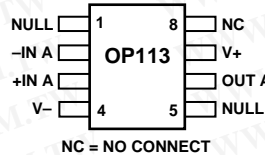
The OP113 family of single supply operational amplifiers features both low noise and drift. It has been designed for systems with internal calibration. Often these processor-based systems are capable of calibrating corrections for offset and gain, but they cannot correct for temperature drifts and noise. Optimized for these parameters, the OP113 family can be used to take advantage of superior analog performance combined with digital correction. Many systems using internal calibration operate from unipolar supplies, usually either +5 volts or +12 volts. The OP113 family is designed to operate from single supplies from +4 volts to +36 volts, and to maintain its low noise and precision performance.

The OP113 family is unity gain stable and has a typical gain bandwidth product of 3.4 MHz. Slew rate is in excess of 1 V/ $\mu\text{s}$ . Noise density is a very low 4.7 nV/ $\sqrt{\text{Hz}}$ , and noise in the 0.1 Hz to 10 Hz band is 120 nV p-p. Input offset voltage is guaranteed and offset drift is guaranteed to be less than 0.8  $\mu\text{V}/^\circ\text{C}$ . Input common-mode range includes the negative supply and to within 1 volt of the positive supply over the full supply range. Phase reversal protection is designed into the OP113 family for cases where input voltage range is exceeded. Output voltage swings also include the negative supply and go to within 1 volt of the positive rail. The output is capable of sinking and sourcing current throughout its range and is specified with 600  $\Omega$  loads.

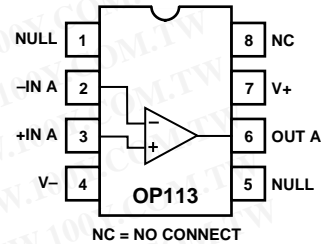
Digital scales and other strain gage applications benefit from the very low noise and low drift of the OP113 family. Other applications include use as a buffer or amplifier for both A/D and

### PIN CONNECTIONS

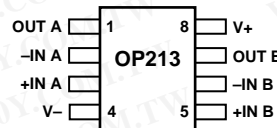
#### 8-Lead Narrow-Body SO



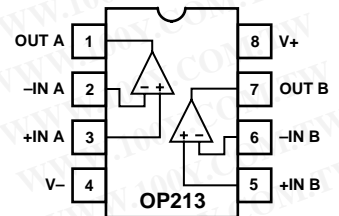
#### 8-Lead Plastic DIP



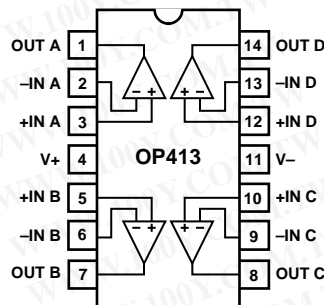
#### 8-Lead Narrow-Body SO



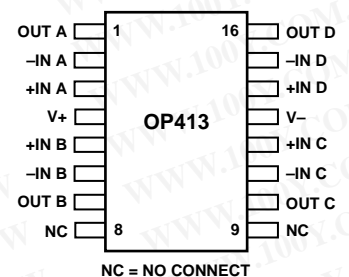
#### 8-Lead Plastic DIP



#### 14-Lead Plastic DIP



#### 16-Lead Wide-Body SO



D/A sigma-delta converters. Often these converters have high resolutions requiring the lowest noise amplifier to utilize their full potential. Many of these converters operate in either single supply or low supply voltage systems, and attaining the greater signal swing possible increases system performance.

The OP113 family is specified for single +5 volt and dual  $\pm 15$  volt operation over the XIND—extended industrial ( $-40^\circ\text{C}$  to  $+85^\circ\text{C}$ ) temperature range. They are available in plastic and SOIC surface mount packages.

### REV. C

Information furnished by Analog Devices is believed to be accurate and reliable. However, no responsibility is assumed by Analog Devices for its use, nor for any infringements of patents or other rights of third parties which may result from its use. No license is granted by implication or otherwise under any patent or patent rights of Analog Devices.

# OP113/OP213/OP413–SPECIFICATIONS

## ELECTRICAL CHARACTERISTICS (@ $V_S = \pm 15.0\text{ V}$ , $T_A = +25^\circ\text{C}$ unless otherwise noted)

Parameter	Symbol	Conditions	“E” Grade			“F” Grade			Units
			Min	Typ	Max	Min	Typ	Max	
INPUT CHARACTERISTICS									
Offset Voltage	$V_{OS}$	OP113 $-40^\circ\text{C} \leq T_A \leq +85^\circ\text{C}$			75			150	$\mu\text{V}$
					125			225	$\mu\text{V}$
		OP213 $-40^\circ\text{C} \leq T_A \leq +85^\circ\text{C}$			100			250	$\mu\text{V}$
					150			325	$\mu\text{V}$
		OP413 $-40^\circ\text{C} \leq T_A \leq +85^\circ\text{C}$			125			275	$\mu\text{V}$
					175			350	$\mu\text{V}$
Input Bias Current	$I_B$	$V_{CM} = 0\text{ V}$ , $-40^\circ\text{C} \leq T_A \leq +85^\circ\text{C}$		240	600			600	nA
					700			700	nA
Input Offset Current	$I_{OS}$	$V_{CM} = 0\text{ V}$ , $-40^\circ\text{C} \leq T_A \leq +85^\circ\text{C}$			50			50	nA
Input Voltage Range	$V_{CM}$		-15		+14	-15		+14	V
Common-Mode Rejection	CMR	$-15\text{ V} \leq V_{CM} \leq +14\text{ V}$ , $-15\text{ V} \leq V_{CM} \leq +14\text{ V}$ , $-40^\circ\text{C} \leq T_A \leq +85^\circ\text{C}$	100	116		96			dB
			97	116		94			dB
Large Signal Voltage Gain	$A_{VO}$	OP113, OP213, $R_L = 600\ \Omega$ , $-40^\circ\text{C} \leq T_A \leq +85^\circ\text{C}$	1	2.4		1			$\text{V}/\mu\text{V}$
		OP413, $R_L = 1\ \text{k}\Omega$ , $-40^\circ\text{C} \leq T_A \leq +85^\circ\text{C}$	1	2.4		1			$\text{V}/\mu\text{V}$
		$R_L = 2\ \text{k}\Omega$ , $-40^\circ\text{C} \leq T_A \leq +85^\circ\text{C}$	2	8		2			$\text{V}/\mu\text{V}$
Long-Term Offset Voltage <sup>1</sup>	$V_{OS}$	Note 1			150			300	$\mu\text{V}$
Offset Voltage Drift	$\Delta V_{OS}/\Delta T$	Note 2		0.2	0.8			1.5	$\mu\text{V}/^\circ\text{C}$
OUTPUT CHARACTERISTICS									
Output Voltage Swing High	$V_{OH}$	$R_L = 2\ \text{k}\Omega$ , $R_L = 2\ \text{k}\Omega$ , $-40^\circ\text{C} \leq T_A \leq +85^\circ\text{C}$	+14			+14			V
			+13.9			+13.9			V
Output Voltage Swing Low	$V_{OL}$	$R_L = 2\ \text{k}\Omega$ , $R_L = 2\ \text{k}\Omega$ , $-40^\circ\text{C} \leq T_A \leq +85^\circ\text{C}$			-14.5			-14.5	V
					-14.5			-14.5	V
Short Circuit Limit	$I_{SC}$			$\pm 40$			$\pm 40$		mA
POWER SUPPLY									
Power Supply Rejection Ratio	PSRR	$V_S = \pm 2\text{ V}$ to $\pm 18\text{ V}$ , $V_S = \pm 2\text{ V}$ to $\pm 18\text{ V}$ , $-40^\circ\text{C} \leq T_A \leq +85^\circ\text{C}$	103	120		100			dB
			100	120		97			dB
Supply Current/Amplifier	$I_{SY}$	$V_{OUT} = 0\text{ V}$ , $R_L = \infty$ , $V_S = \pm 18\text{ V}$ , $-40^\circ\text{C} \leq T_A \leq +85^\circ\text{C}$			3			3	mA
					3.8			3.8	mA
Supply Voltage Range	$V_S$		+4		$\pm 18$	+4		$\pm 18$	V
AUDIO PERFORMANCE									
THD + Noise		$V_{IN} = 3\text{ V rms}$ , $R_L = 2\ \text{k}\Omega$ , $f = 1\ \text{kHz}$ ,		0.0009			0.0009		%
Voltage Noise Density	$e_n$	$f = 10\ \text{Hz}$ , $f = 1\ \text{kHz}$		9			9		$\text{nV}/\sqrt{\text{Hz}}$
		$f = 1\ \text{kHz}$		4.7			4.7		$\text{nV}/\sqrt{\text{Hz}}$
Current Noise Density	$i_n$	$f = 1\ \text{kHz}$		0.4			0.4		$\text{pA}/\sqrt{\text{Hz}}$
Voltage Noise	$e_n\ \text{p-p}$	0.1 Hz to 10 Hz		120			120		nV p-p
DYNAMIC PERFORMANCE									
Slew Rate	SR	$R_L = 2\ \text{k}\Omega$	0.8	1.2		0.8	1.2		$\text{V}/\mu\text{s}$
Gain Bandwidth Product	GBP			3.4			3.4		MHz
Channel Separation		$V_{OUT} = 10\text{ V p-p}$ , $R_L = 2\ \text{k}\Omega$ , $f = 1\ \text{kHz}$		105			105		dB
Settling Time	$t_S$	to 0.01%, 0 V to 10 V Step		9			9		$\mu\text{s}$

### NOTES

<sup>1</sup>Long-term offset voltage is guaranteed by a 1000-hour life test performed on three independent lots at  $125^\circ\text{C}$ , with an LTPD of 1.3.

<sup>2</sup>Guaranteed specifications, based on characterization data.

Specifications subject to change without notice.

**ELECTRICAL CHARACTERISTICS** (@  $V_S = +5.0\text{ V}$ ,  $T_A = +25^\circ\text{C}$  unless otherwise noted)

Parameter	Symbol	Conditions	“E” Grade			“F” Grade			Units
			Min	Typ	Max	Min	Typ	Max	
<b>INPUT CHARACTERISTICS</b>									
Offset Voltage	$V_{OS}$	OP113 $-40^\circ\text{C} \leq T_A \leq +85^\circ\text{C}$ OP213 $-40^\circ\text{C} \leq T_A \leq +85^\circ\text{C}$ OP413 $-40^\circ\text{C} \leq T_A \leq +85^\circ\text{C}$			125 175			175 250	$\mu\text{V}$ $\mu\text{V}$
Input Bias Current	$I_B$	$V_{CM} = 0\text{ V}$ , $V_{OUT} = 2$ $-40^\circ\text{C} \leq T_A \leq +85^\circ\text{C}$		300	650			650	nA
Input Offset Current	$I_{OS}$	$V_{CM} = 0\text{ V}$ , $V_{OUT} = 2$ $-40^\circ\text{C} \leq T_A \leq +85^\circ\text{C}$			750			750	nA
Input Voltage Range	$V_{CM}$		0		50			50	nA
Common-Mode Rejection	CMR	$0\text{ V} \leq V_{CM} \leq 4\text{ V}$ $0\text{ V} \leq V_{CM} \leq 4\text{ V}$ , $-40^\circ\text{C} \leq T_A \leq +85^\circ\text{C}$	93	106	+4	90		+4	V dB
Large Signal Voltage Gain	$A_{VO}$	OP113, OP213, $R_L = 600\ \Omega$ , $2\text{ k}\Omega$ $0.01\text{ V} \leq V_{OUT} \leq 3.9\text{ V}$ OP413, $R_L = 600$ , $2\text{ k}\Omega$ , $0.01\text{ V} \leq V_{OUT} \leq 3.9\text{ V}$	90			87			dB
Long-Term Offset Voltage <sup>1</sup>	$V_{OS}$	Note 1						350	$\mu\text{V}$
Offset Voltage Drift	$\Delta V_{OS}/\Delta T$	Note 2		0.2	1.0			1.5	$\mu\text{V}/^\circ\text{C}$
<b>OUTPUT CHARACTERISTICS</b>									
Output Voltage Swing High	$V_{OH}$	$R_L = 600\text{ k}\Omega$ $R_L = 100\text{ k}\Omega$ , $-40^\circ\text{C} \leq T_A \leq +85^\circ\text{C}$ $R_L = 600\ \Omega$ , $-40^\circ\text{C} \leq T_A \leq +85^\circ\text{C}$	4.0 4.1 3.9			4.0 4.1 3.9			V V V
Output Voltage Swing Low	$V_{OL}$	$R_L = 600\ \Omega$ , $-40^\circ\text{C} \leq T_A \leq +85^\circ\text{C}$ $R_L = 100\text{ k}\Omega$ , $-40^\circ\text{C} \leq T_A \leq +85^\circ\text{C}$			8 8			8 8	mV mV
Short Circuit Limit	$I_{SC}$			$\pm 30$			$\pm 30$		mA
<b>POWER SUPPLY</b>									
Supply Current	$I_{SY}$	$V_{OUT} = 2.0\text{ V}$ , No Load		1.6	2.7			2.7	mA
Supply Current	$I_{SY}$	$-40^\circ\text{C} \leq T_A \leq +85^\circ\text{C}$			3.0			3.0	mA
<b>AUDIO PERFORMANCE</b>									
THD + Noise		$V_{OUT} = 0\text{ dBu}$ , $f = 1\text{ kHz}$		0.001			0.001		%
Voltage Noise Density	$e_n$	$f = 10\text{ Hz}$ $f = 1\text{ kHz}$		9 4.7			9 4.7		$\text{nV}/\sqrt{\text{Hz}}$ $\text{nV}/\sqrt{\text{Hz}}$
Current Noise Density	$i_n$	$f = 1\text{ kHz}$		0.45			0.45		$\text{pA}/\sqrt{\text{Hz}}$
Voltage Noise	$e_n\text{ p-p}$	0.1 Hz to 10 Hz		120			120		nV p-p
<b>DYNAMIC PERFORMANCE</b>									
Slew Rate	SR	$R_L = 2\text{ k}\Omega$	0.6	0.9		0.6			$\text{V}/\mu\text{s}$
Gain Bandwidth Product	GBP			3.5			3.5		MHz
Settling Time	$t_s$	to 0.01%, 2 V Step		5.8			5.8		$\mu\text{s}$

NOTES

<sup>1</sup>Long-term offset voltage is guaranteed by a 1000 hour life test performed on three independent lots at  $125^\circ\text{C}$ , with an LTPD of 1.3.

<sup>2</sup>Guaranteed specifications, based on characterization data.

Specifications subject to change without notice.



# OP113/OP213/OP413

勝特力材料 886-3-5753170  
 勝特力电子(上海) 86-21-54151736  
 勝特力电子(深圳) 86-755-83298787  
[Http://www.100y.com.tw](http://www.100y.com.tw)

## ABSOLUTE MAXIMUM RATINGS<sup>1</sup>

Supply Voltage	±18 V
Input Voltage	±18 V
Differential Input Voltage	±10 V
Output Short-Circuit Duration to GND	Indefinite
Storage Temperature Range	
P, S Package	-65°C to +150°C
Operating Temperature Range	
OP113/OP213/OP413E, F	-40°C to +85°C
P, S Package	-65°C to +150°C
Lead Temperature Range (Soldering, 60 sec)	+300°C

Package Type	$\theta_{JA}$ <sup>2</sup>	$\theta_{JC}$	Units
8-Lead Plastic DIP (P)	103	43	°C/W
8-Lead SOIC (S)	158	43	°C/W
14-Lead Plastic DIP (P)	83	39	°C/W
16-Lead SOIC (S)	92	27	°C/W

## NOTES

<sup>1</sup>Absolute maximum ratings apply to both DICE and packaged parts, unless otherwise noted.

<sup>2</sup> $\theta_{JA}$  is specified for the worst case conditions, i.e.,  $\theta_{JA}$  is specified for device in socket for cerdip, P-DIP, and LCC packages;  $\theta_{JA}$  is specified for device soldered in circuit board for SOIC package.

## ORDERING GUIDE

Model	Temperature Range	Package Description	Package Options
OP113EP	-40°C to +85°C	8-Lead Plastic DIP	N-8
OP113ES	-40°C to +85°C	8-Lead SOIC	SO-8
OP113FP	-40°C to +85°C	8-Lead Plastic DIP	N-8
OP113FS	-40°C to +85°C	8-Lead SOIC	SO-8
OP213EP	-40°C to +85°C	8-Lead Plastic DIP	N-8
OP213ES	-40°C to +85°C	8-Lead SOIC	SO-8
OP213FP	-40°C to +85°C	8-Lead Plastic DIP	N-8
OP213FS	-40°C to +85°C	8-Lead SOIC	SO-8
OP413EP	-40°C to +85°C	14-Lead Plastic DIP	N-14
OP413ES	-40°C to +85°C	16-Lead Wide SOIC	R-16
OP413FP	-40°C to +85°C	14-Lead Plastic DIP	N-14
OP413FS	-40°C to +85°C	16-Lead Wide SOIC	R-16

## APPLICATIONS

The OP113, OP213 and OP413 form a new family of high performance amplifiers that feature precision performance in standard dual supply configurations and, more importantly, maintain precision performance when a single power supply is used. In addition to accurate dc specifications, it is the lowest noise single supply amplifier available with only 4.7 nV/ $\sqrt{\text{Hz}}$  typical noise density.

Single supply applications have special requirements due to the generally reduced dynamic range of the output signal. Single supply applications are often operated at voltages of +5 volts or +12 volts, compared to dual supply applications with supplies of  $\pm 12$  volts or  $\pm 15$  volts. This results in reduced output swings. Where a dual supply application may often have 20 volts of signal output swing, single supply applications are limited to, at most, the supply range and, more commonly, several volts below the supply. In order to attain the greatest swing the single supply output stage must swing closer to the supply rails than in dual supply applications.

The OP113 family has a new patented output stage that allows the output to swing closer to ground, or the negative supply, than previous bipolar output stages. Previous op amps had outputs that could swing to within about ten millivolts of the negative supply in single supply applications. However, the OP113 family combines both a bipolar and a CMOS device in the output stage, enabling it to swing to within a few hundred microvolts of ground.

When operating with reduced supply voltages, the input range is also reduced. This reduction in signal range results in reduced signal-to-noise ratio, for any given amplifier. There are only two ways to improve this: increase the signal range or reduce the noise. The OP113 family addresses both of these parameters. Input signal range is from the negative supply to within one volt of the positive supply over the full supply range. Competitive parts have input ranges that are a half a volt to five volts less than this. Noise has also been optimized in the OP113 family. At 4.7 nV/ $\sqrt{\text{Hz}}$ , it is less than one fourth that of competitive devices.

### Phase Reversal

The OP113 family is protected against phase reversal as long as both of the inputs are within the supply ranges. However, if there is a possibility of either input going below the negative supply (or ground in the single supply case), the inputs should be protected with a series resistor to limit input current to 2 mA.

### OP113 Offset Adjust

The OP113 has the facility for external offset adjustment, using the industry standard arrangement. Pins 1 and 5 are used in conjunction with a potentiometer of 10 k $\Omega$  total resistance, connected with the wiper to V $^-$  (or ground in single supply applications). The total adjustment range is about  $\pm 2$  mV using this configuration.

Adjusting the offset to zero has minimal effect on offset drift (assuming the potentiometer has a tempco of less than 1000 ppm/ $^{\circ}\text{C}$ ). Adjustment away from zero, however, (like all bipolar amplifiers) will result in a TCV $_{\text{OS}}$  of approximately 3.3  $\mu\text{V}/^{\circ}\text{C}$  for every millivolt of induced offset.

It is therefore not generally recommended that this trim be used to compensate for system errors originating outside of the OP113. The initial offset of the OP113 is low enough that external trimming is almost never required but, if necessary, the

2 mV trim range may be somewhat excessive. Reducing the trimming potentiometer to a 2 k $\Omega$  value will give a more reasonable range of  $\pm 400$   $\mu\text{V}$ .

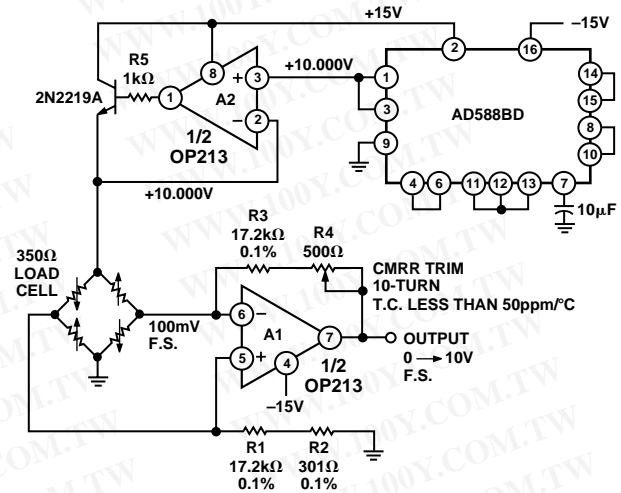


Figure 1. Precision Load Cell Scale Amplifier

## APPLICATION CIRCUITS

### A High Precision Industrial Load-Cell Scale Amplifier

The OP113 family makes an excellent amplifier for conditioning a load-cell bridge. Its low noise greatly improves the signal resolution, allowing the load cell to operate with a smaller output range, thus reducing its nonlinearity. Figure 1 shows one half of the OP113 family used to generate a very stable 10.000 V bridge excitation voltage while the second amplifier provides a differential gain. R4 should be trimmed for maximum common-mode rejection.

### A Low Voltage Single Supply, Strain-Gage Amplifier

The true zero swing capability of the OP113 family allows the amplifier in Figure 2 to amplify the strain-gage bridge accurately even with no signal input while being powered by a single +5 volt supply. A stable 4.000 V bridge voltage is made possible by the rail-to-rail OP295 amplifier, whose output can swing to within a millivolt of either rail. This high voltage swing greatly increases the bridge output signal without a corresponding increase in bridge input.

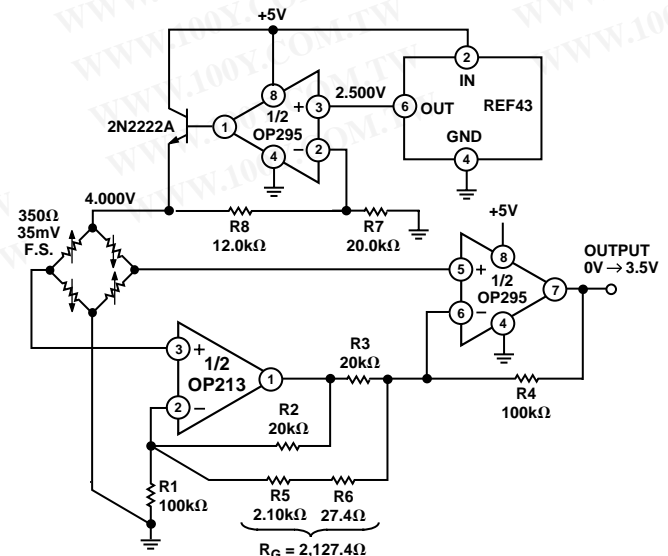


Figure 2. Single Supply Strain-Gage Amplifier

## OP113/OP213/OP413

### A High Accuracy Linearized RTD Thermometer Amplifier

Zero suppressing the bridge facilitates simple linearization of the RTD by feeding back a small amount of the output signal to the RTD (Resistor Temperature Device). In Figure 3 the left leg of the bridge is servoed to a virtual ground voltage by amplifier A1, while the right leg of the bridge is also servoed to zero-volt by amplifier A2. This eliminates any error resulting from common-mode voltage change in the amplifier. A three-wire RTD is used to balance the wire resistance on both legs of the bridge, thereby reducing temperature mismatch errors. The 5.000 V bridge excitation is derived from the extremely stable AD588 reference device with 1.5 ppm/°C drift performance.

Linearization of the RTD is done by feeding a fraction of the output voltage back to the RTD in the form of a current. With just the right amount of positive feedback, the amplifier output will be linearly proportional to the temperature of the RTD.

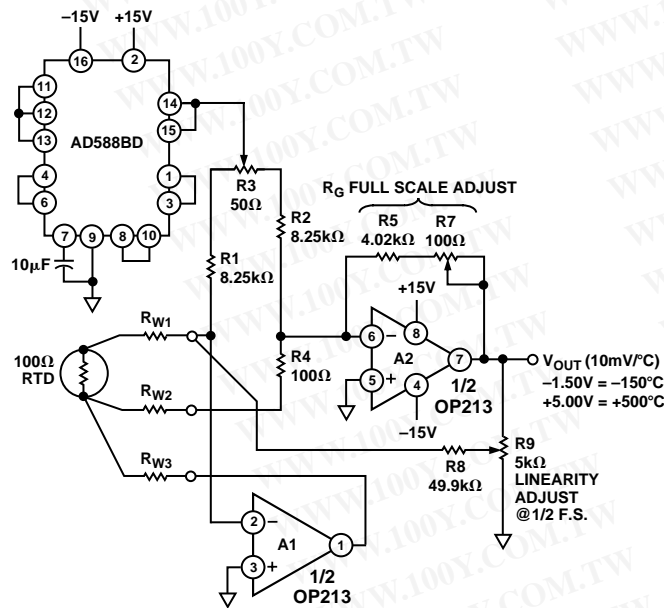


Figure 3. Ultraprecision RTD Amplifier

To calibrate the circuit, first immerse the RTD in a zero-degree ice bath or substitute an exact 100 Ω resistor in place of the RTD. Adjust the ZERO ADJUST potentiometer for a 0.000 V output, then set R9 LINEARITY ADJUST potentiometer to the middle of its adjustment range. Substitute a 280.9 Ω resistor (equivalent to 500°C) in place of the RTD, and adjust the FULL-SCALE ADJUST potentiometer for a full-scale voltage of 5.000 V.

To calibrate out the nonlinearity, substitute a 194.07 Ω resistor (equivalent to 250°C) in place of the RTD, then adjust the LINEARITY ADJUST potentiometer for a 2.500 V output. Check and readjust the full-scale and half-scale as needed.

Once calibrated, the amplifier outputs a 10 mV/°C temperature coefficient with an accuracy better than ±0.5°C over an RTD measurement range of -150°C to +500°C. Indeed the amplifier can be calibrated to a higher temperature range, up to 850°C.

### A High Accuracy Thermocouple Amplifier

Figure 4 shows a popular K-type thermocouple amplifier with cold-junction compensation. Operating from a single +12V supply, the OP113 family's low noise allows temperature measurement to better than 0.02°C resolution from 0°C to 1000°C range. The cold-junction error is corrected by using an inexpensive silicon diode as a temperature measuring device. It should be placed as close to the two terminating junctions as physically possible. An aluminum block might serve well as an isothermal system.

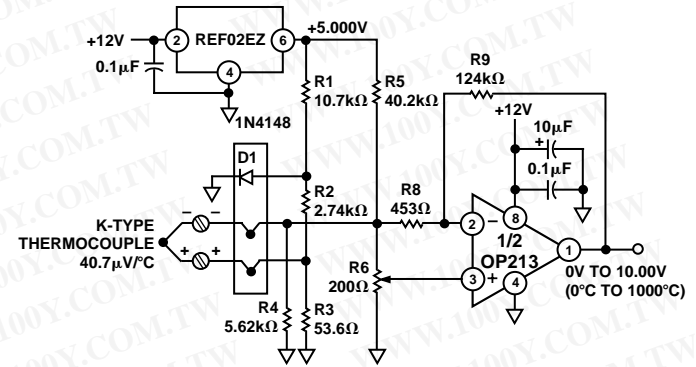


Figure 4. Accurate K-Type Thermocouple Amplifier

R6 should be adjusted for a zero-volt output with the thermocouple measuring tip immersed in a zero-degree ice bath. When calibrating, be sure to adjust R6 initially to cause the output to swing in the positive direction first. Then back off in the negative direction until the output just stops changing.

### An Ultralow Noise, Single Supply Instrumentation Amplifier

Extremely low noise instrumentation amplifiers can be built using the OP113 family. Such an amplifier that operates off a single supply is shown in Figure 5. Resistors R1–R5 should be of high precision and low drift type to maximize CMRR performance. Although the two inputs are capable of operating to zero volt, the gain of -100 configuration will limit the amplifier input common mode to not less than 0.33 V.

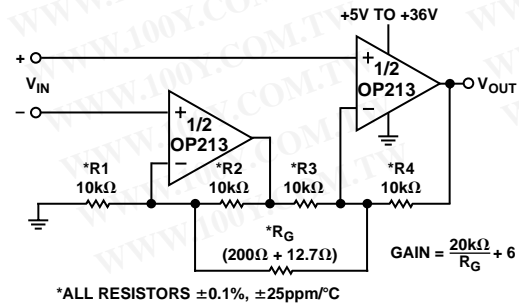


Figure 5. Ultralow Noise, Single Supply Instrumentation Amplifier



### Supply Splitter Circuit

The OP113 family has excellent frequency response characteristic that makes it an ideal pseudo-ground reference generator as shown in Figure 6. The OP113 family serves as a voltage follower buffer. In addition, it drives a large capacitor that serves as a charge reservoir to minimize transient load changes, as well as a low impedance output device at high frequencies. The circuit easily supplies 25 mA load current with good settling characteristics.

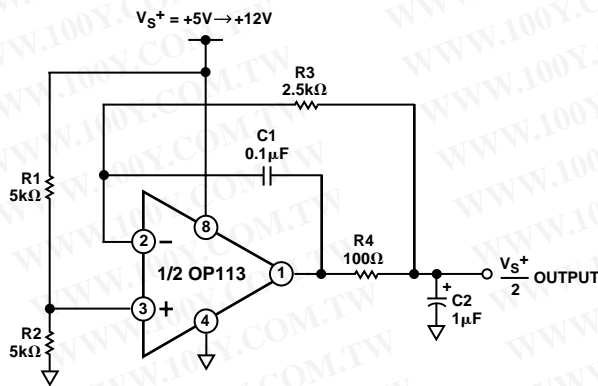


Figure 6. False Ground Generator

### Low Noise Voltage Reference

Few reference devices combine low noise and high output drive capabilities. Figure 7 shows the OP113 family used as a two-pole active filter that band limits the noise of the 2.500 V reference. Total noise measures 3 μV p-p.

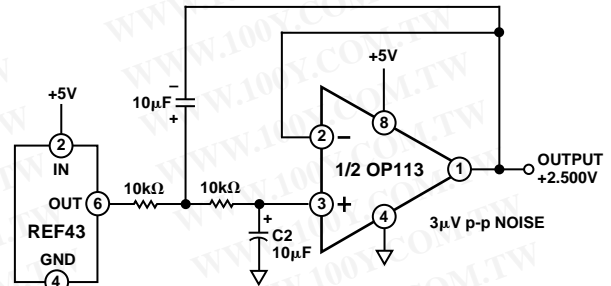


Figure 7. Low Noise Voltage Reference

### +5 V Only Stereo DAC for Multimedia

The OP113 family's low noise and single supply capability are ideally suited for stereo DAC audio reproduction or sound synthesis applications such as multimedia systems. Figure 8 shows an 18-bit stereo DAC output setup that is powered from a single +5 volt supply. The low noise preserves the 18-bit dynamic range of the AD1868. For DACs that operate on dual supplies, the OP113 family can also be powered from the same supplies.

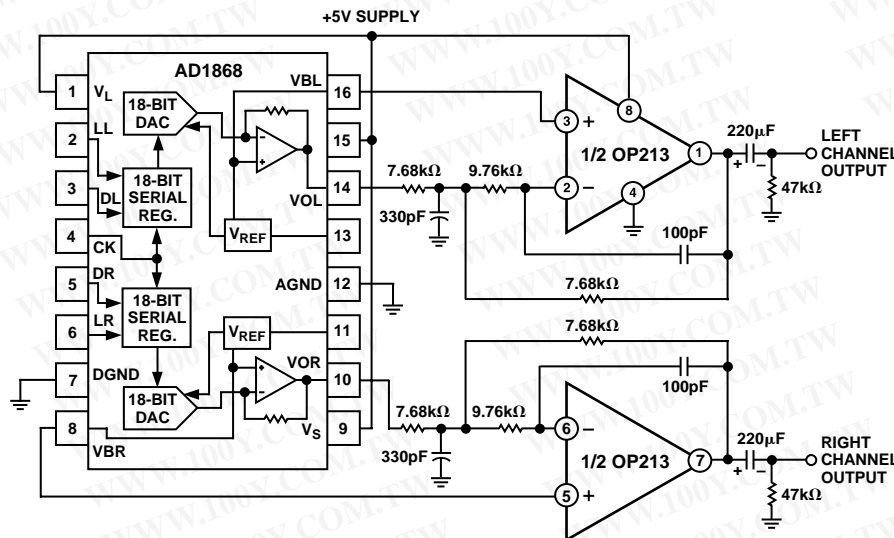


Figure 8. +5 V Only 18-Bit Stereo DAC

## OP113/OP213/OP413

### Low Voltage Headphone Amplifiers

Figure 9 shows a stereo headphone output amplifier for the AD1849 16-bit SoundPort® Stereo Codec device. The pseudo-reference voltage is derived from the common-mode voltage generated internally by the AD1849, thus providing a convenient bias for the headphone output amplifiers.

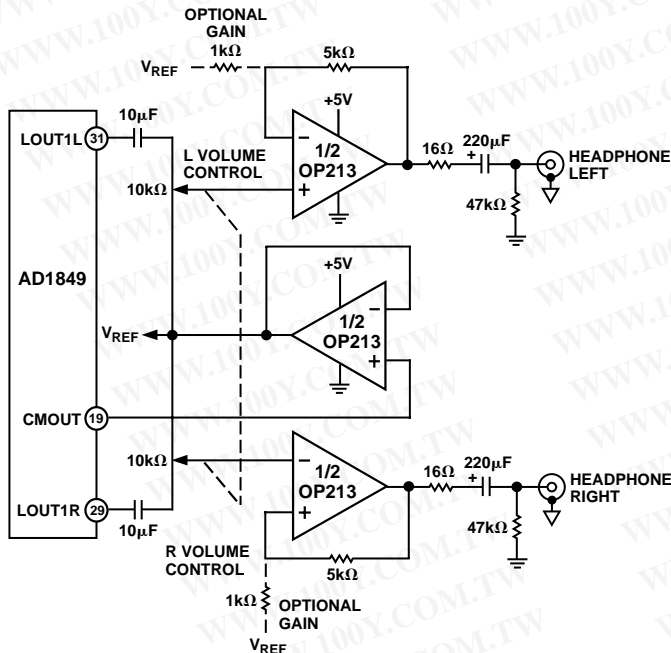


Figure 9. Headphone Output Amplifier for Multimedia Sound Codec

### Low Noise Microphone Amplifier for Multimedia

The OP113 family is ideally suited as a low noise microphone preamp for low voltage audio applications. Figure 10 shows a gain of 100 stereo preamp for the AD1849 16-bit SoundPort Stereo Codec chip. The common-mode output buffer serves as a “phantom power” driver for the microphones.

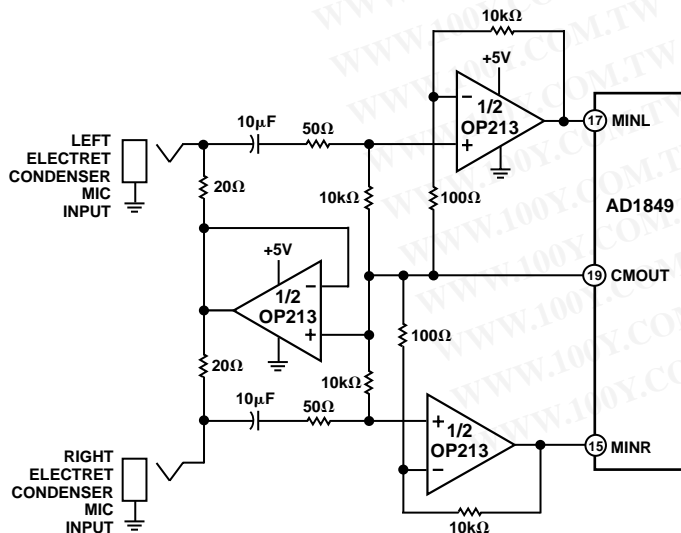


Figure 10. Low Noise Stereo Microphone Amplifier for Multimedia Sound Codec

### Precision Voltage Comparator

With its PNP inputs and zero volt common-mode capability, the OP113 family can make useful voltage comparators. There is only a slight penalty in speed in comparison to IC comparators. However, the significant advantage is its voltage accuracy. For example,  $V_{OS}$  can be a few hundred microvolts or less, combined with CMRR and PSRR exceeding 100 dB, while operating on 5 V supply. Standard comparators like the 111/311 family operate on 5 volts, but not with common-mode at ground, nor with offset below 3 mV. Indeed, no commercially available single supply comparator has a  $V_{OS}$  less than 200  $\mu$ V.

Figure 11 shows the OP113 family response to a 10 mV overdrive signal when operating in open loop. The top trace shows the output rising edge has a 15  $\mu$ s propagation delay, while the bottom trace shows a 7  $\mu$ s delay on the output falling edge. This ac response is quite acceptable in many applications.

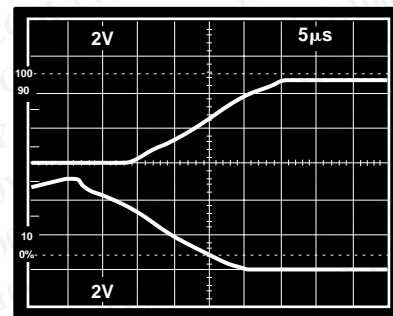
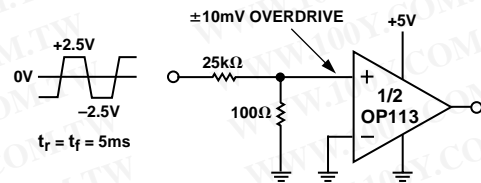


Figure 11. Precision Comparator

The low noise and 250  $\mu$ V (maximum) offset voltage enhance the overall dc accuracy of this type of comparator. Note that zero crossing detectors and similar ground referred comparisons can be implemented even if the input swings to -0.3 volts below ground.



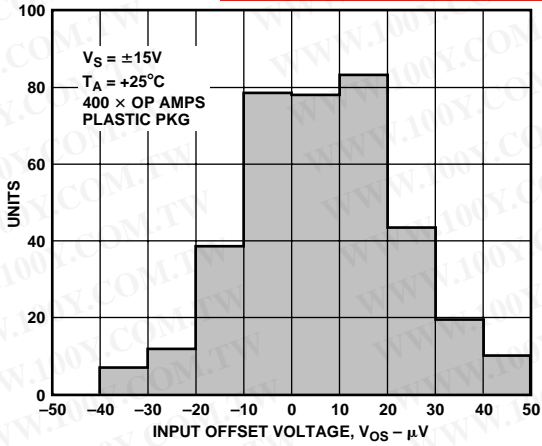


Figure 12a. OP113 Input Offset ( $V_{OS}$ ) Distribution @  $\pm 15$  V

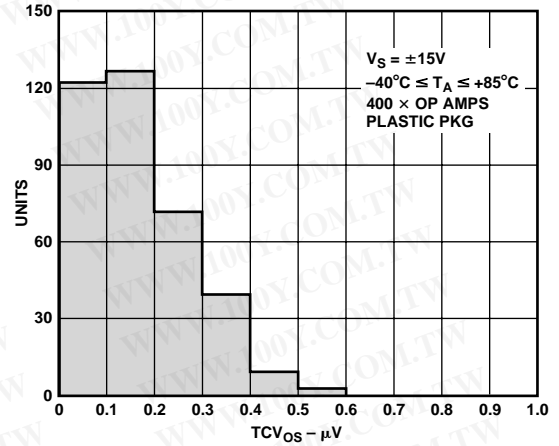


Figure 13a. OP113 Temperature Drift ( $TCV_{OS}$ ) Distribution @  $\pm 15$  V

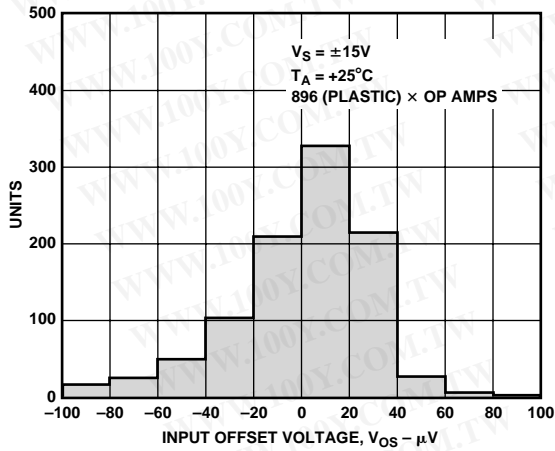


Figure 12b. OP213 Input Offset ( $V_{OS}$ ) Distribution @  $\pm 15$  V

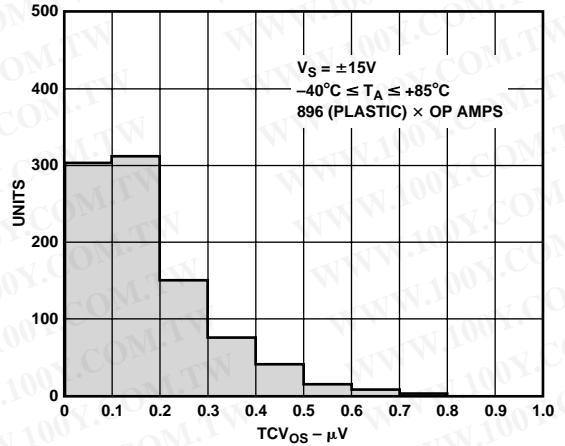


Figure 13b. OP213 Temperature Drift ( $TCV_{OS}$ ) Distribution @  $\pm 15$  V

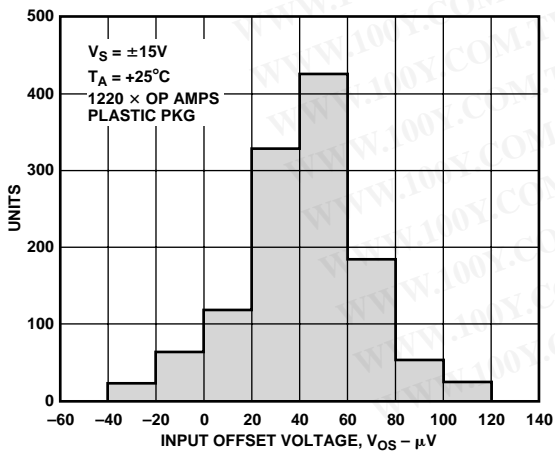


Figure 12c. OP413 Input Offset ( $V_{OS}$ ) Distribution @  $\pm 15$  V

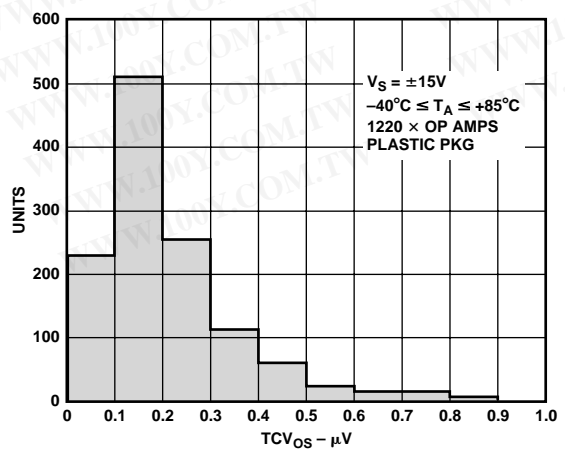


Figure 13c. OP413 Temperature Drift ( $TCV_{OS}$ ) Distribution @  $\pm 15$  V

# OP113/OP213/OP413

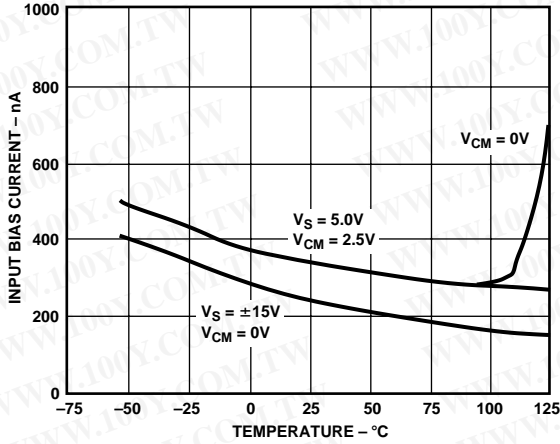


Figure 14. OP113 Input Bias Current vs. Temperature

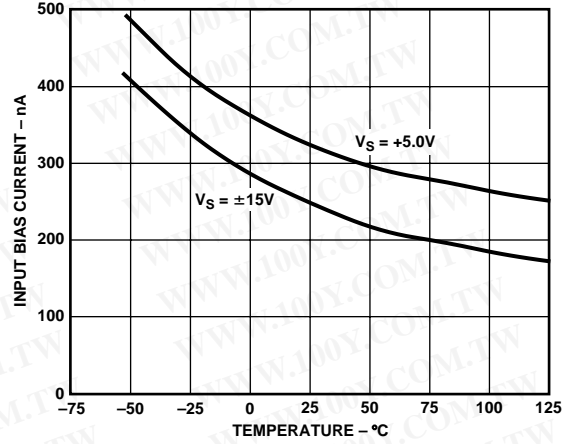


Figure 17. OP213 Input Bias Current vs. Temperature

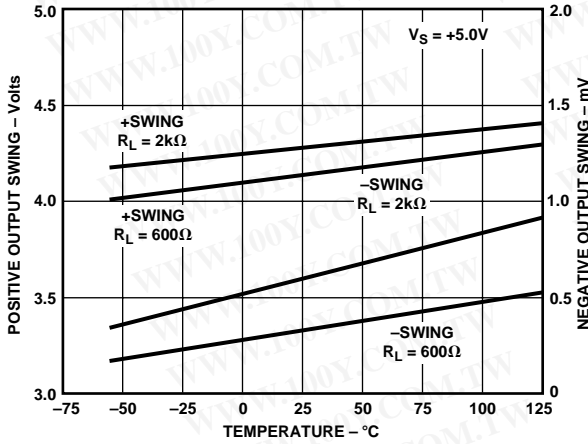


Figure 15. Output Swing vs. Temperature and  $R_L$  @ +5 V

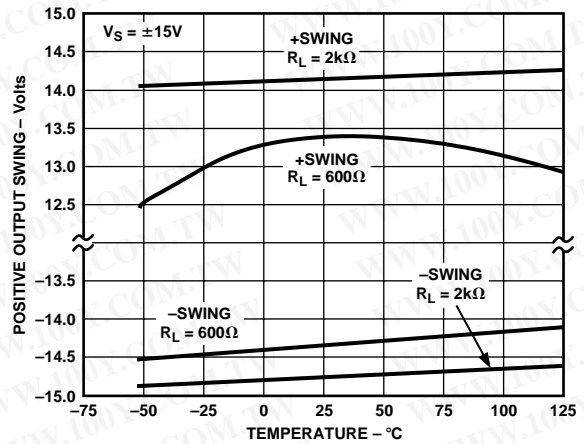


Figure 18. Output Swing vs. Temperature and  $R_L$  @ ±15 V

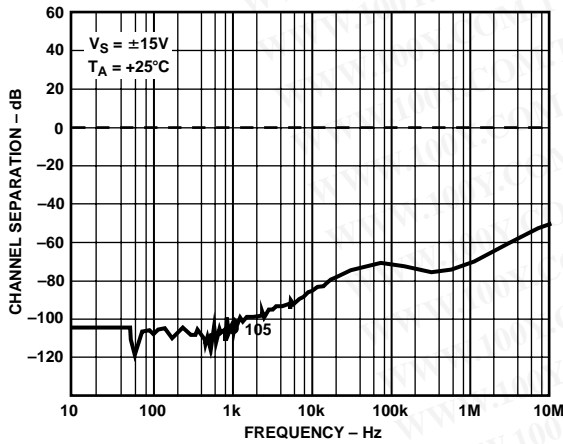


Figure 16. Channel Separation

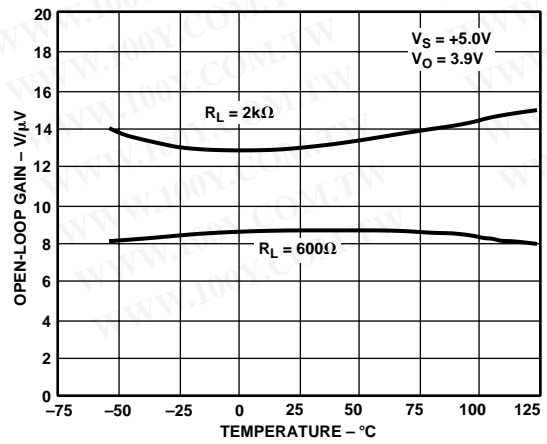


Figure 19. Open-Loop Gain vs. Temperature @ +5 V

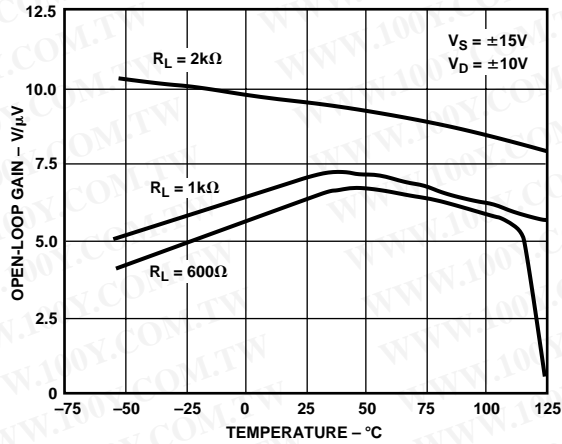


Figure 20. OP413 Open-Loop Gain vs. Temperature

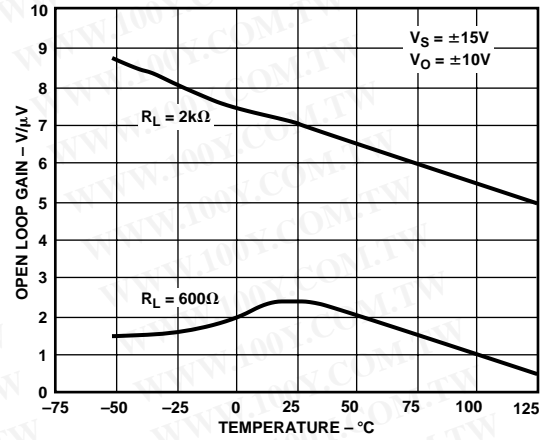


Figure 23. OP213 Open-Loop Gain vs. Temperature

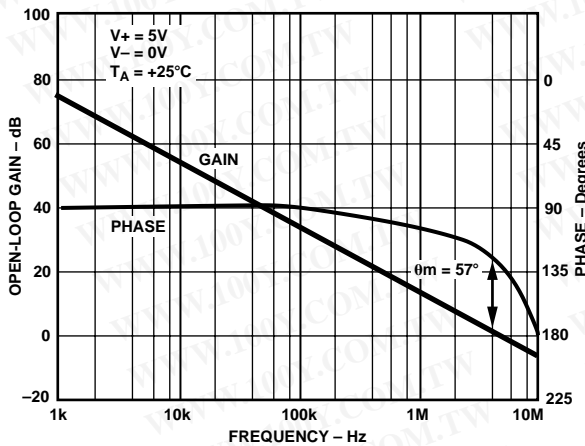


Figure 21. Open-Loop Gain, Phase vs. Frequency @ +5 V

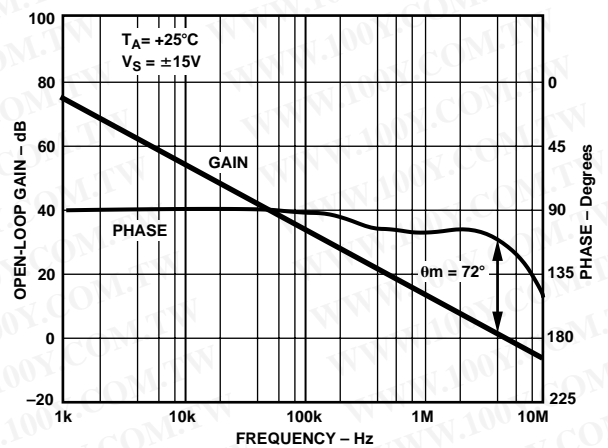


Figure 24. Open-Loop Gain, Phase vs. Frequency @ ±15 V

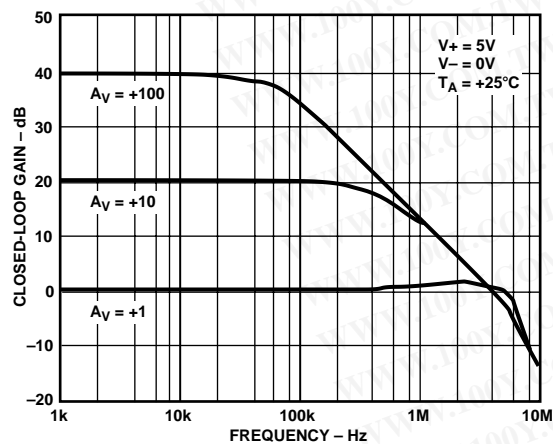


Figure 22. Closed-Loop Gain vs. Frequency @ +5 V

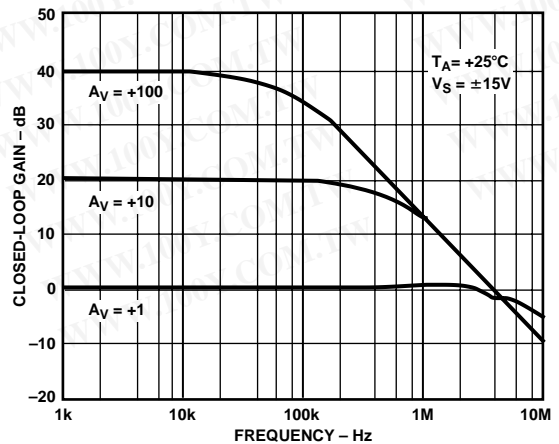


Figure 25. Closed-Loop Gain vs. Frequency @ ±15 V



# OP113/OP213/OP413

勝特力材料 886-3-5753170  
 勝特力电子(上海) 86-21-54151736  
 勝特力电子(深圳) 86-755-83298787  
[Http://www.100y.com.tw](http://www.100y.com.tw)

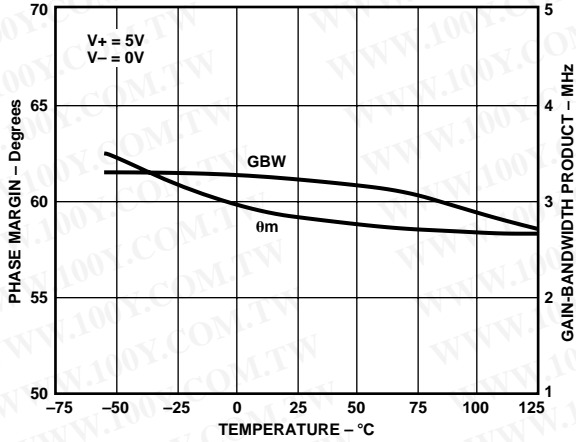


Figure 26. Gain Bandwidth Product and Phase Margin vs. Temperature @ +5 V

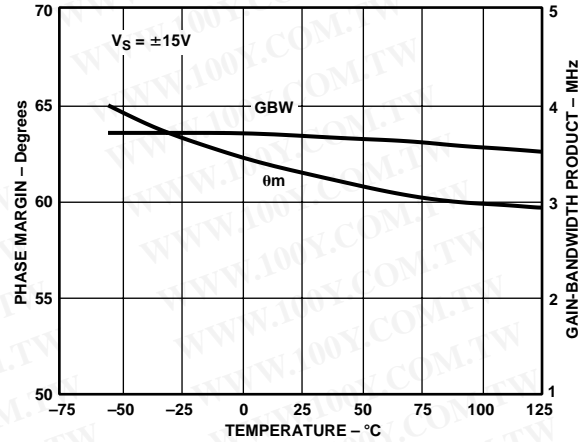


Figure 29. Gain Bandwidth Product and Phase Margin vs. Temperature @ ±15 V

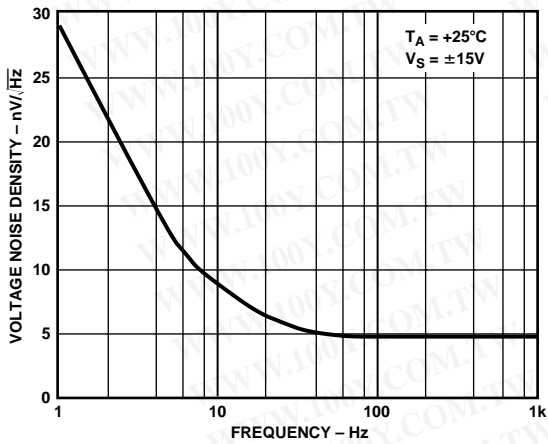


Figure 27. Voltage Noise Density vs. Frequency

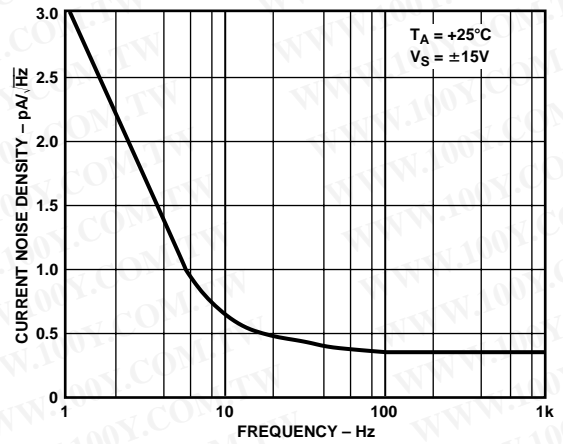


Figure 30. Current Noise Density vs. Frequency

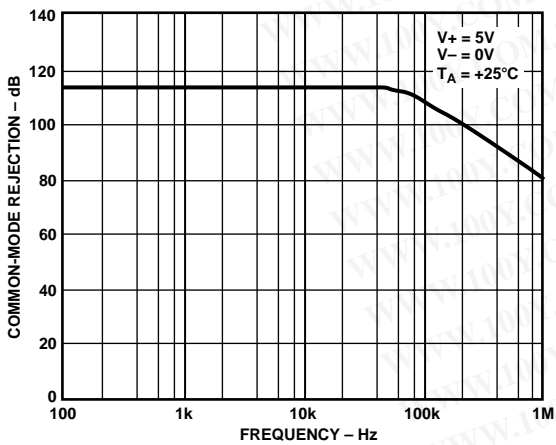


Figure 28. Common-Mode Rejection vs. Frequency @ +5 V

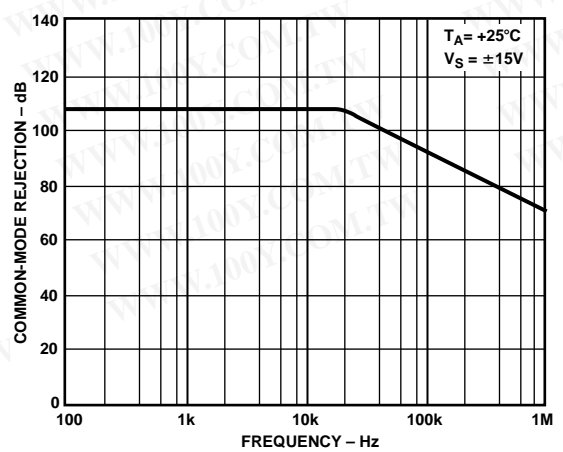


Figure 31. Common-Mode Rejection vs. Frequency @ ±15 V

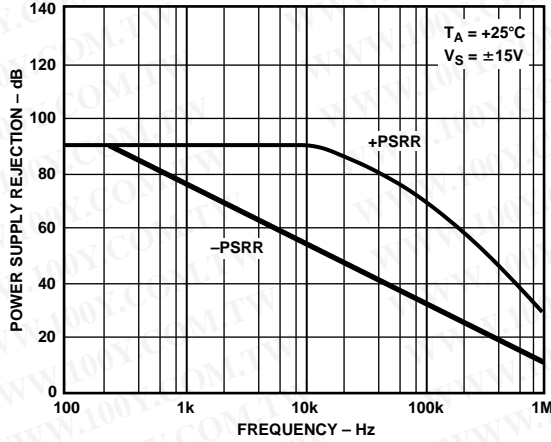


Figure 32. Power Supply Rejection vs. Frequency @ ±15 V

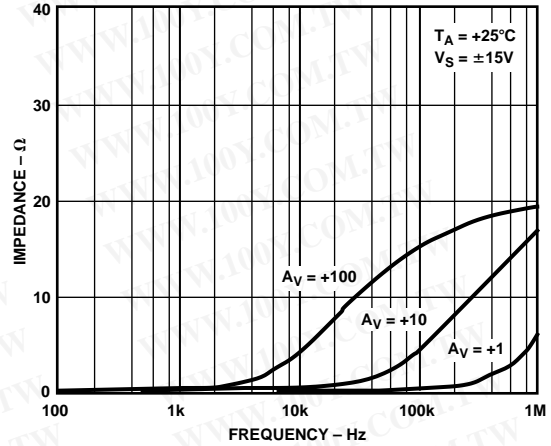


Figure 35. Closed-Loop Output Impedance vs. Frequency @ ±15 V

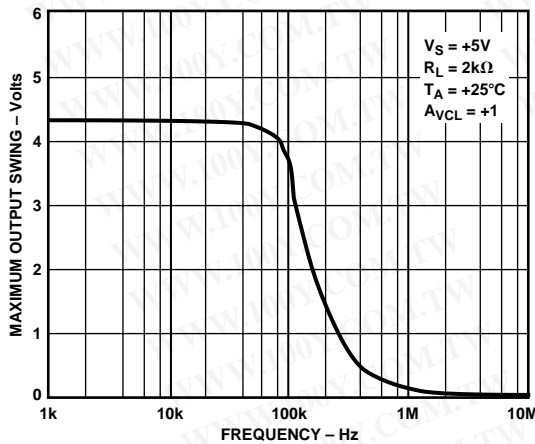


Figure 33. Maximum Output Swing vs. Frequency @ +5 V

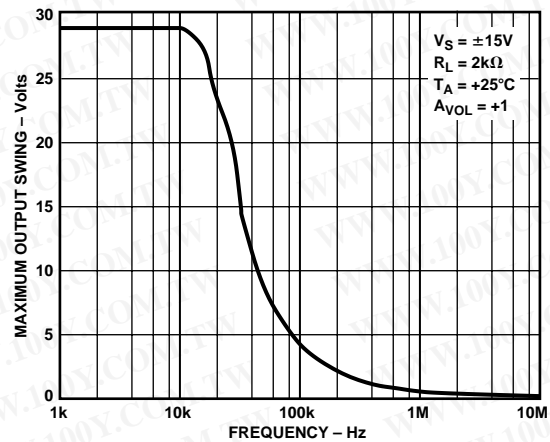


Figure 36. Maximum Output Swing vs. Frequency @ ±15 V

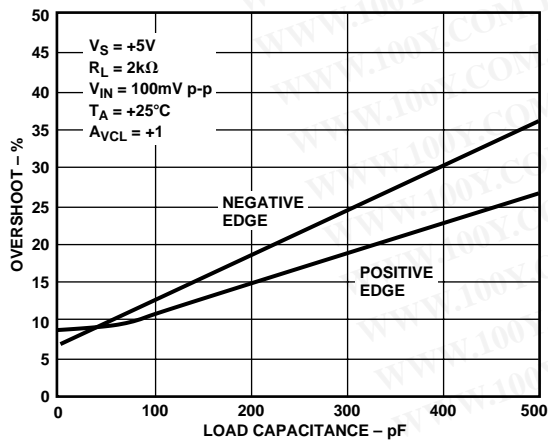


Figure 34. Small Signal Overshoot vs. Load Capacitance @ +5 V

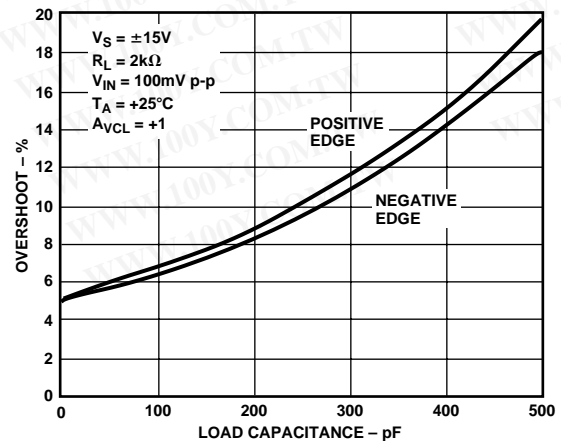


Figure 37. Small Signal Overshoot vs. Load Capacitance @ ±15 V

# OP113/OP213/OP413

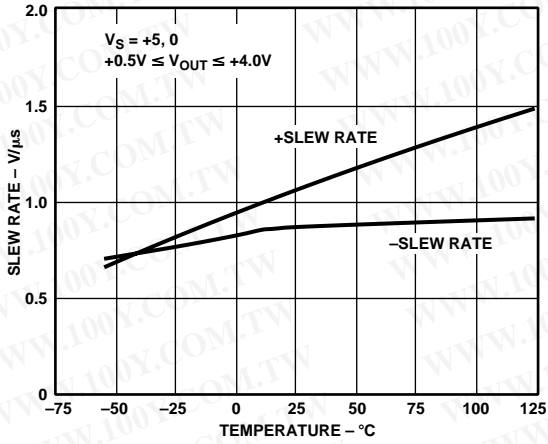


Figure 38. Slew Rate vs. Temperature @ +5 V ( $0.5\text{ V} \leq V_{OUT} \leq +4.0\text{ V}$ )

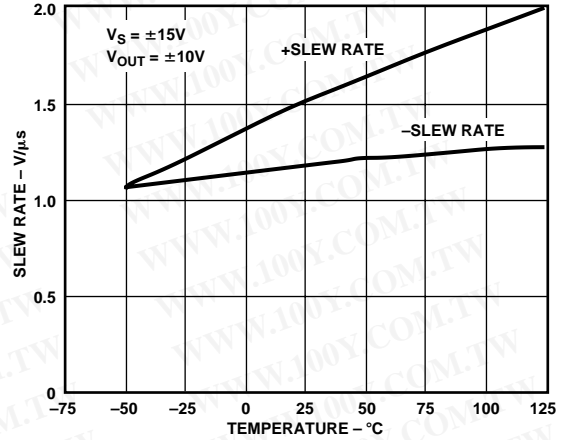


Figure 41. Slew Rate vs. Temperature @  $\pm 15\text{ V}$  ( $-10\text{ V} \leq V_{OUT} \leq +10.0\text{ V}$ )

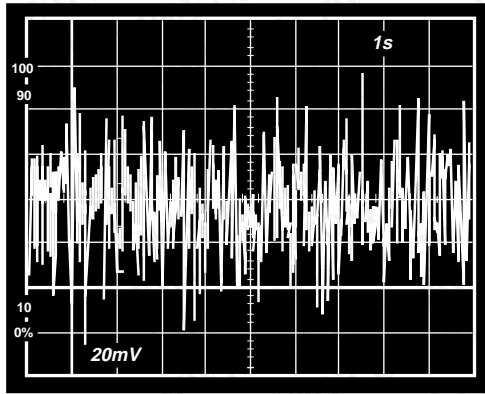


Figure 39. Input Voltage Noise @  $\pm 15\text{ V}$  (20 nV/div)

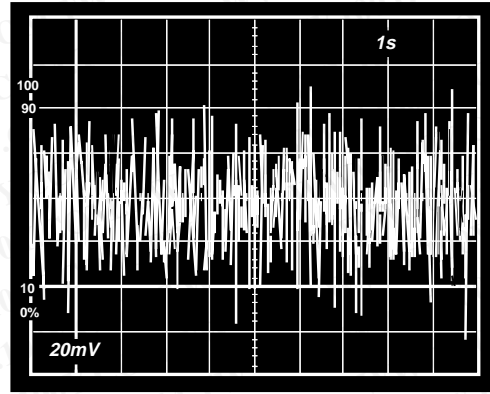


Figure 42. Input Voltage Noise @ +5 V (20 nV/div)

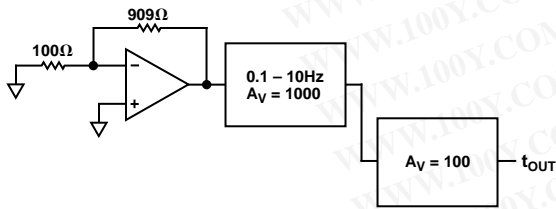


Figure 40. Noise Test Diagram

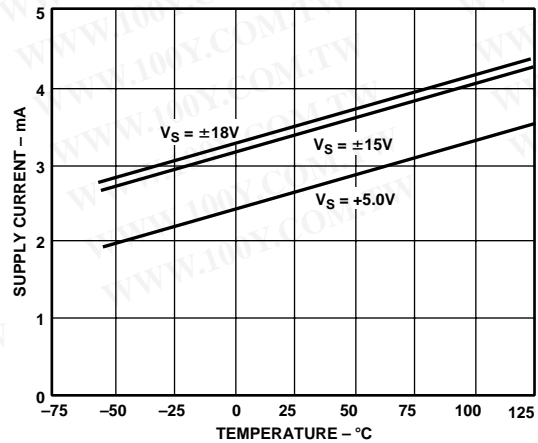


Figure 43. Supply Current vs. Temperature



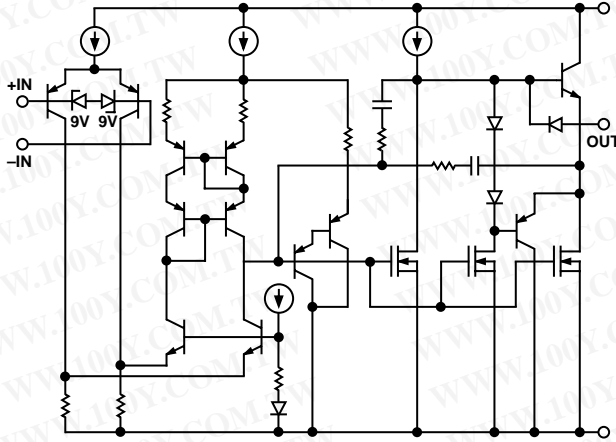


Figure 44. OP213 Simplified Schematic

\* SECOND CURRENT NOISE SOURCE

DN5 27 28 DIN  
 DN6 28 29 DIN  
 VN5 27 0 DC 2  
 VN6 0 29 DC 2

\* GAIN STAGE & DOMINANT POLE AT .2000E+01 HZ

G2 34 36 19 20 2.65E-04  
 R7 34 36 39E+06  
 V3 35 4 DC 6  
 D4 36 35 DX  
 VB2 34 4 1.6

\* SUPPLY/2 GENERATOR

ISY 7 4 0.2E-3  
 R10 7 60 40E+3  
 R11 60 4 40E+3  
 C3 60 0 1E-9

\* CMRR STAGE & POLE AT 6 KHZ

ECM 50 4 POLY(2) 3 60 2 60 0 1.6 0 1.6  
 CCM 50 51 26.5E-12  
 RCM1 50 51 1E6  
 RCM2 51 4 1

OUTPUT STAGE

R12 37 36 1E3  
 R13 38 36 500  
 C4 37 6 20E-12  
 C5 38 39 20E-12  
 M1 39 36 4 4 MN L=9E-6 W=1000E-6 AD=15E-9 AS=15E-9  
 M2 45 36 4 4 MN L=9E-6 W=1000E-6 AD=15E-9 AS=15E-9  
 D5 39 47 DX  
 D6 47 45 DX  
 Q3 39 40 41 QPA 8  
 VB 7 40 DC 0.861  
 R14 7 41 375  
 Q4 41 7 43 QNA 1  
 R17 7 43 15  
 Q5 43 39 6 QNA 20  
 Q6 46 45 6 QPA 20  
 R18 46 4 15  
 Q7 36 46 4 QNA 1  
 M3 6 36 4 4 MN L=9E-6 W=2000E-6 AD=30E-9 AS=30E-9

\* NONLINEAR MODELS USED

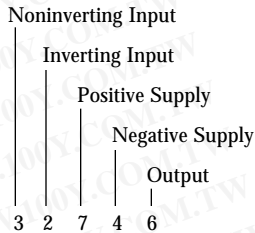
.MODEL DX D (IS=1E-15)  
 .MODEL DY D (IS=1E-15 BV=7)  
 .MODEL PNP1 PNP (BF=220)  
 .MODEL DEN D (IS=1E-12 RS=1016 KF=3.278E-15 AF=1)  
 .MODEL DIN D (IS=1E-12 RS=100019 KF=4.173E-15 AF=1)  
 .MODEL QNA NPN (IS=1.19E-16 BF=253 VAF=193 VAR=15 RB=2.0E3  
 + IRB=7.73E-6 RBM=132.8 RE=4 RC=209 CJE=2.1E-13 VJE=0.573  
 + MJE=0.364 CJC=1.64E-13 VJC=0.534 MJC=0.5 CJS=1.37E-12  
 + VJS=0.59 MJS=0.5 TF=0.43E-9 PTF=30)  
 .MODEL QPA PNP (IS=5.21E-17 BF=131 VAF=62 VAR=15 RB=1.52E3  
 + IRB=1.67E-5 RBM=368.5 RE=6.31 RC=354.4 CJE=1.1E-13  
 + VJE=0.745 MJE=0.33 CJC=2.37E-13 VJC=0.762 MJC=0.4  
 + CJS=7.11E-13 VJS=0.45 MJS=0.412 TF=1.0E-9 PTF=30)  
 .MODEL MN NMOS (LEVEL=3 VTO=1.3 RS=0.3 RD=0.3 TOX=8.5E-8  
 + LD=1.48E-6 WD=1E-6 NSUB=1.53E16 UO=650 DELTA=10 VMAX=2E5  
 + XJ=1.75E-6 KAPPA=0.8 ETA=0.066 THETA=0.01 TPG=1 CJ=2.9E-4  
 + PB=0.837 MJ=0.407 CJSW=0.5E-9 MJSW=0.33)

.ENDS OP113 Family

\*OP113 Family SPICE Macro-Model

\*Copyright 1992 by Analog Devices, Inc.

\*Node Assignments



.SUBCKT OP113 Family

\* INPUT STAGE

R3 4 19 1.5E3  
 R4 4 20 1.5E3  
 C1 19 20 5.31E-12  
 I1 7 18 106E-6  
 IOS 2 3 25E-09  
 EOS 12 5 POLY(1) 51 4 25E-06 1  
 Q1 19 3 18 PNP1  
 Q2 20 12 18 PNP1  
 CIN 3 2 3E-12  
 D1 3 1 DY  
 D2 2 1 DY  
 EN 5 2 22 0 1  
 GN1 0 2 25 0 1E-5  
 GN2 0 3 28 0 1E-5

\* VOLTAGE NOISE SOURCE WITH FLICKER NOISE

DN1 21 22 DEN  
 DN2 22 23 DEN  
 VN1 21 0 DC 2  
 VN2 0 23 DC 2

\* CURRENT NOISE SOURCE WITH FLICKER NOISE

DN3 24 25 DIN  
 DN4 25 26 DIN  
 VN3 24 0 DC 2  
 VN4 0 26 DC 2

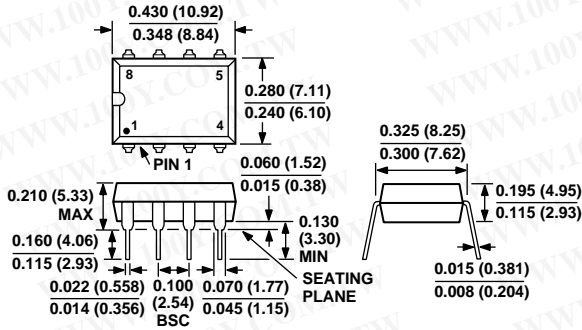
# OP113/OP213/OP413

勝特力材料 886-3-5753170  
 勝特力电子(上海) 86-21-54151736  
 勝特力电子(深圳) 86-755-83298787  
[Http://www.100y.com.tw](http://www.100y.com.tw)

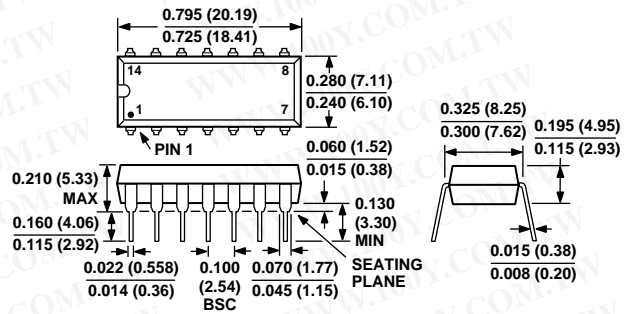
## OUTLINE DIMENSIONS

Dimensions shown in inches and (mm).

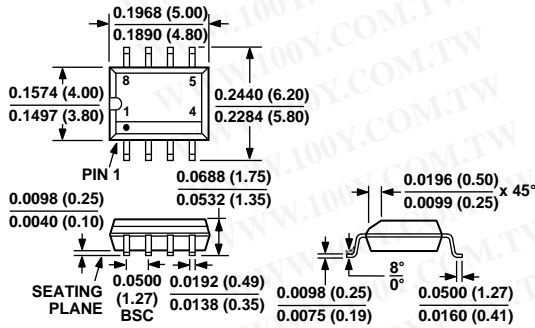
### 8-Lead Plastic DIP (N-8)



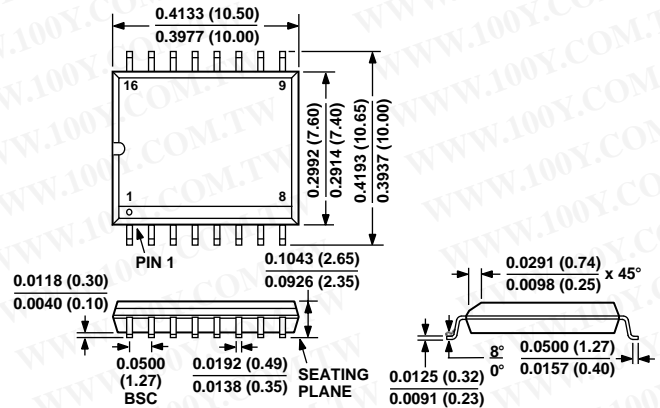
### 14-Lead Plastic DIP (N-14)



### 8-Lead Narrow-Body Plastic DIP (SO-8)



### 16-Lead Wide Body SOIC (R-16)



C1805a-0-2/98

PRINTED IN U.S.A.