

勝特力材料 886-3-5753170  
 勝特力电子(上海) 86-21-54151736  
 勝特力电子(深圳) 86-755-83298787  
 Http://www.100y.com.tw

## Push Button Switch P13 Series



### SPECIFICATION

- Electrical Rating : 1A 250VAC(UL)  
1A 250VAC/3A 125VAC(VDE)
- Mechanical life: Over 30000 cycles
- Electrical life: Over 10000 cycles
- Contact resistance: <math><20\text{m}\Omega</math>
- Insulation resistance: >1000M $\Omega$
- High voltage resistance: >1500V 1 min.
- Ambient temperature: Terminal side -20 to +85°C  
Actuating side -20 to +55°C
- Storage temperature: -30 to +80°C Max
- Atmospheric humidity: Max.85%
- Actuating force: 3 to 6N
- Flammability: 94V-2
- Temperature rise at the terminal: Max 30°C (UL1054)
- Solder ability of terminal: Max 350°C, 3s

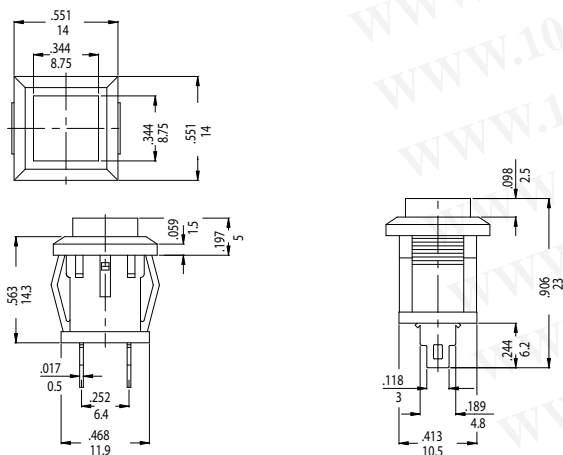
### MATERIALS

- Housing: PA66
- Rocker: PA66
- Contacts: Silver alloy
- Terminal: Copper or brass silver plated
- Spring: SWP,SWB,SUS301
- Movable arm: Copper silver plated

### HOW TO ORDER

<b>P 1 3</b>	<b>- 1 A</b>	<b>K</b>	<b>K</b>	<b>S</b>																								
Series	Switch Function	Housing Color	Actuator Color	Terminal Type																								
Series	<table border="1"> <tr><td>1A</td><td>ON-OFF</td></tr> <tr><td>1B</td><td>OFF-(ON)</td></tr> <tr><td>1C</td><td>ON-(OFF)</td></tr> </table>	1A	ON-OFF	1B	OFF-(ON)	1C	ON-(OFF)	<table border="1"> <tr><td>G</td><td>Gray</td></tr> <tr><td>W</td><td>White</td></tr> <tr><td>K</td><td>Black</td></tr> </table>	G	Gray	W	White	K	Black	<table border="1"> <tr><td>G</td><td>Gray</td></tr> <tr><td>W</td><td>White</td></tr> <tr><td>K</td><td>Black</td></tr> <tr><td>O</td><td>Orange</td></tr> <tr><td>R</td><td>Red</td></tr> <tr><td>B</td><td>Blue</td></tr> </table>	G	Gray	W	White	K	Black	O	Orange	R	Red	B	Blue	Solder Type Terminal
1A	ON-OFF																											
1B	OFF-(ON)																											
1C	ON-(OFF)																											
G	Gray																											
W	White																											
K	Black																											
G	Gray																											
W	White																											
K	Black																											
O	Orange																											
R	Red																											
B	Blue																											

### Dimension



### Panel cut out

Z	Y	X
0.7~1.25	11.2~11.3	12.25~12.35
1.25~2.0	11.2~11.3	12.35~12.45
2.0~3.0	11.2~11.3	12.45~12.55