

### ■Panel mounting type

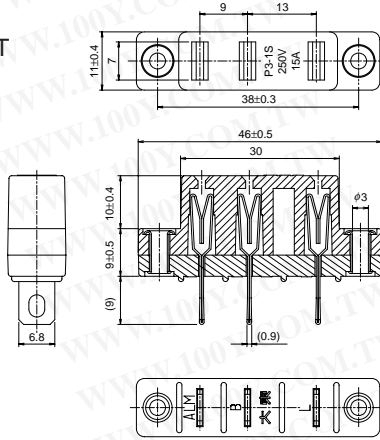
P3 fuse holders are for type-P3 fuses. P4 fuse holders are for type-P4 fuses.

#### P3-1S, PL3-1S and P4-1S, PL4-1S (Solder wiring connection)

●P : Black, PL : Brown  
**P3-1S, PL3-1S**  
 Net weight 12.5g



NTT



**P4-1S, PL4-1S**  
 Net weight 12g

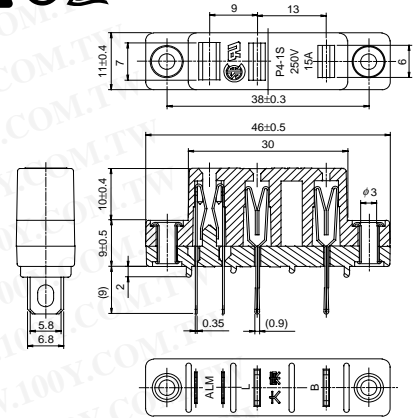


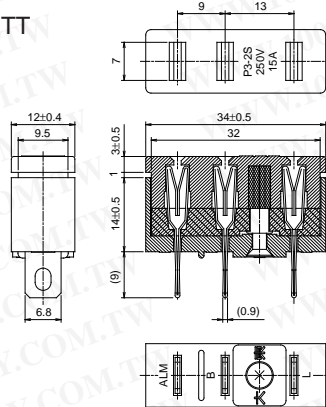
Illustration shows Type P[ ]-1S. Type PL[ ]-1S is same except Cat. No. marking.

#### P3-2S, PL3-2S and P4-2S, PL4-2S (Solder wiring connection)

●P : Black, PL : Brown  
**P3-2S, PL3-2S**  
 Net weight 13g



NTT



**P4-2S, PL4-2S**  
 Net weight 13g

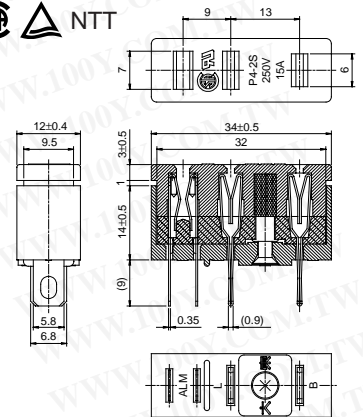


Illustration shows Type P[ ]-2S. Type PL[ ]-2S is same except Cat. No. marking.

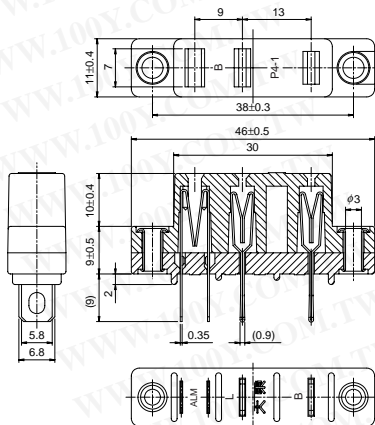
#### P4-1SB, P4-2SB (Solder wiring connection)

Alarm circuit is closed, when fuse is not mounted.

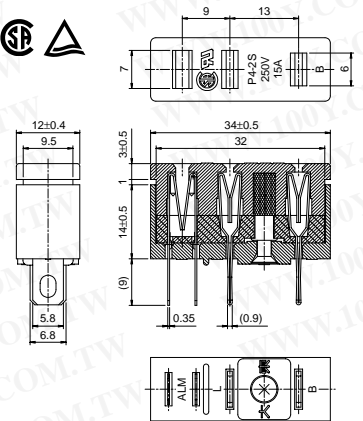
●Black  
**P4-1SB**  
 Net weight 12.5g



NTT



**P4-2SB**  
 Net weight 12.5g



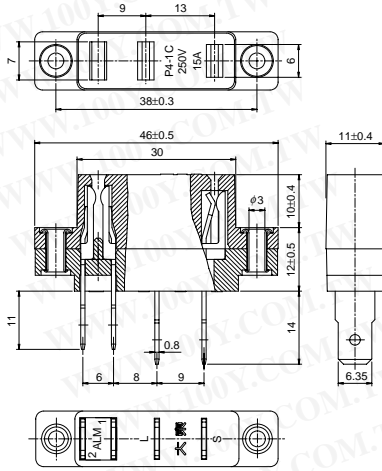
Information in this catalog may be subject to change without notice. Please confirm product information when ordering.

**P4-1C, 1C (YR), 2C, 2C (YR) (Quick connection)**

●Black (YR : Brown)

**P4-1C, P4-1C (YR)**

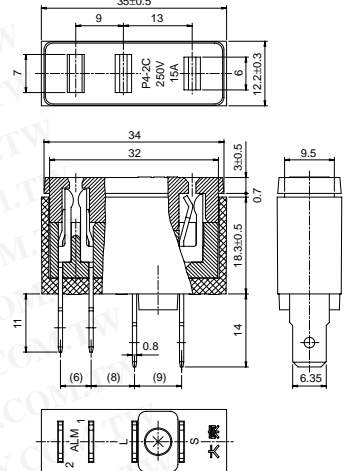
Net weight 14.5g



●Black (YR : Brown)

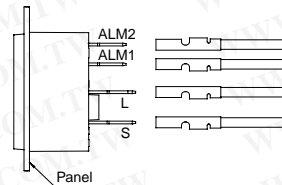
**P4-2C, P4-2C (YR)**

Net weight 17g

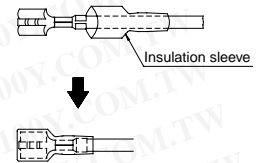


1. Suitable receptacle terminal ..... 250 series(6.3mm series)
2. For keeping the insulation distance between terminals, please use insulation type and make wire connection as shown below.

Connection to the receptacle terminal



Insulation type receptacle terminal



■Mounting method and mounting dimensions  
 Mounting method

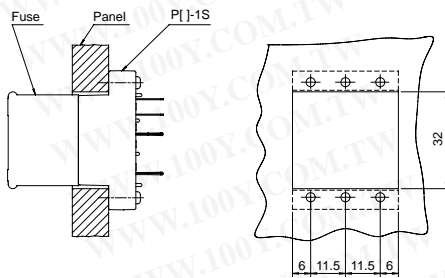


Fig. a Fuseholder

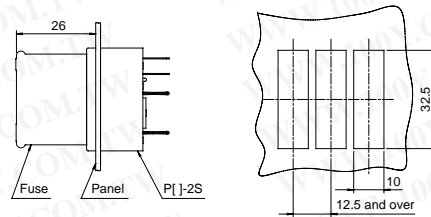


Fig. b Fuseholder

(1)Type 1 holders... { P3-1S, PL3-1S, P4-1S, PL4-1S, P4-1SB, P4-1C }

- These holders can be used when a thick mounting panel is used. (as shown in Fig. a)
- The holders can be mounted with screws or screws and nuts. (Screw-tightening torque should be lower than 0.3N·m.)

(2) Type 2 holders... { P3-2S, PL3-2S, P4-2S, PL4-2S, P4-2SB, P4-2C }

- These holders can be used when mounting on panel (Fig. b) with thickness of 1.2 to 2mm.
- Mounting can be accomplished by sandwiching a panel between the main body and cover of the fuseholder thence by fastening with screws. (Tightening torque should be smaller than 0.3N·m.)
- Mounting Pitch is 25mm in cases of : 1) PL[ ]75, PL[ ]100 : 5pcs or more. 2) PL[ ]150 : 2pcs or more.

Information in this catalog may be subject to change without notice. Please confirm product information when ordering.

勝特力材料 886-3-5753170  
 勝特力电子(上海) 86-21-54151736  
 勝特力电子(深圳) 86-755-83298787  
[Http://www.100y.com.tw](http://www.100y.com.tw)

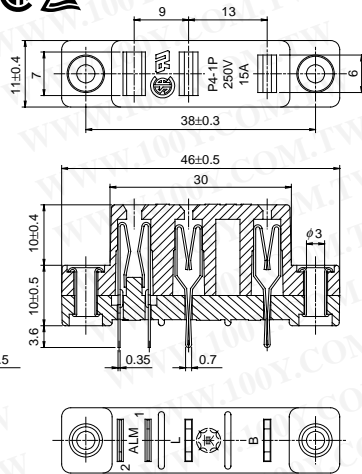
### ■P.C.B. mounting type

#### P4-1P · P4-1P (YR) · P4-1PB

●Black (YR : Brown)

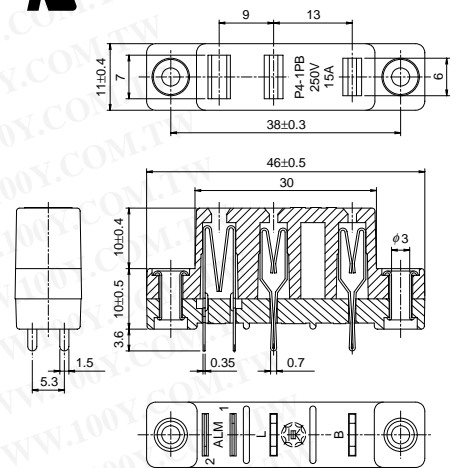
P4-1P · P4-1P (YR)

Net weight 11.5g



P4-1PB

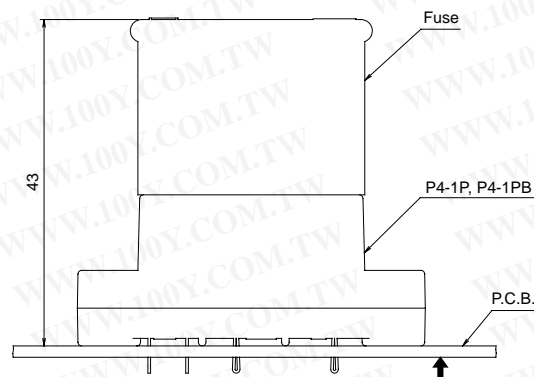
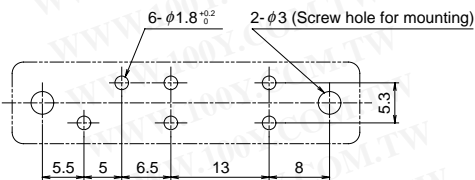
Net weight 11.5g



Alarm circuit is closed, when fuse is pulled-out off.  
 Alarm contact 50VA

Mounting hole dimension for P.C.B. (Tolerance : ±0.1mm)

The layout of mounting holes is seen from the direction of the arrow.



Cat. No. *	Rated voltage	Rated current		Withstand voltage	
		Main circuit	Alarm circuit	Between alarm terminals	Other
P3-1S, 2S	AC/DC 250V	15A	5A	AC1,000V 1min	AC2,500V 1min P4-[ ]C AC2,000V 1min
PL3-1S, 2S					
P4-1S, 2S					
PL4-1S, 2S					
P4-[ ]C, P4-[ ]C (YR)					
P4-1P, P4-1P (YR)					
P4-1SB, 2SB					
P4-1PB					

\* [ ] mean either "1" or "2".

Information in this catalog may be subject to change without notice. Please confirm product information when ordering.

### Surface mounting type

For type-P4 fuses

#### P4-4S

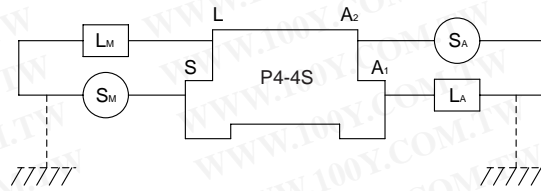
●Black  
 Net weight 33g



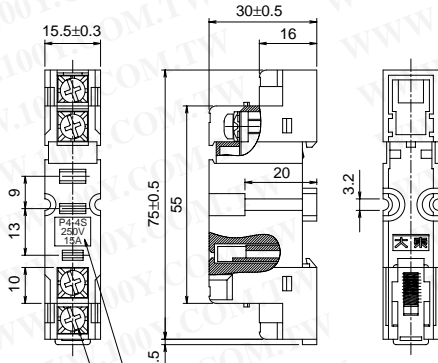
The above photo shows a fuseholder with insulation covers (sold separately).

Cat. No.	Rated voltage	Rated current		Withstand voltage	
		Main circuit	Alarm circuit	Between alarm terminals	Other
P4-4S	250V	15A	5A	AC1,000V 1 minute	AC2,000V 1 minute

#### Connection

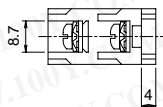


SM: Main circuit power supply  
 SA: Alarm circuit power supply  
 LM: Main load  
 LA: Alarm load



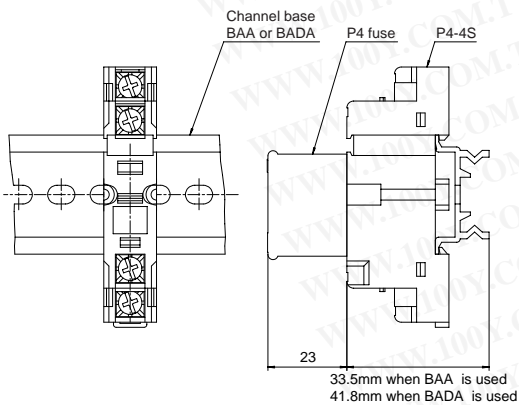
4 × M4 terminal screws  
 Use R2-4 crimp-style terminals.

Indicates abbreviated product name, rated voltage and rated current.



#### Rail-mount

P4-4S is directly mounted on the rail as shown below.  
 Optional parts are shown in the table on the right.  
 Refer to the diagram below for mounting dimensions.



33.5mm when BAA is used  
 41.8mm when BADA is used

Item	Cat. No.	Remarks
*Channel base (Support rail)	BAA-1000	 Mounting screw M5 × 8mm (Minimum size)
	BADA-1000	 Mounting screw M5 × 16mm (Minimum size)
Metal fitting	BNL-5	
Common bar	4S-CMBAR	 Use for parallel connection with alarm or power supply circuit. For 11 holders. Only rail mounting is available.

\*Note on Mounting: Leave a gap for a fixing screw at least every 325mm (20 × P4-4S fuse holders).

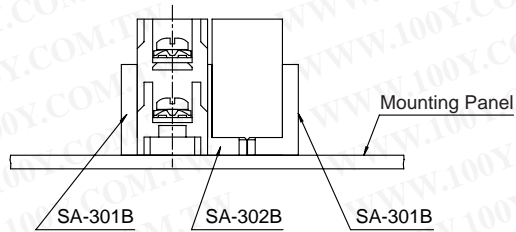
Information in this catalog may be subject to change without notice. Please confirm product information when ordering.

## P-PL Fuseholder

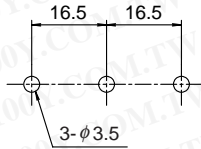
### ■Direct mounting on panel

Use dedicated socket adapters.  
Optional parts for direct mounting are shown in table on the right.

P4-4S is mounted using an adapter as shown in the table.



Mounting dimensional drawing  
Use socket adapter



Item	Cat. No.	Remarks
Socket adapter (Direct mounting for edge)	SA-301B	<p>Mounting screw M3 × 25</p>
Socket adapter (Direct mounting for center)	SA-302B	<p>Mounting screw M3 × 25</p>
P4-4S Insulation cover	4S-INCO	

**勝特力材料 886-3-5753170**  
**勝特力电子(上海) 86-21-54151736**  
**勝特力电子(深圳) 86-755-83298787**  
[Http://www.100y.com.tw](http://www.100y.com.tw)

■Information in this catalog may be subject to change without notice. Please confirm product information when ordering.

### ■Distribution type DS-401A

For P4 fuses

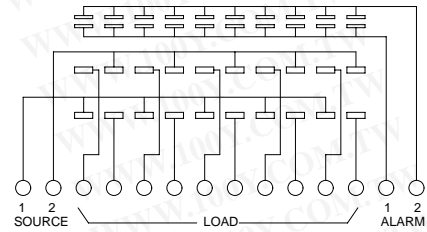
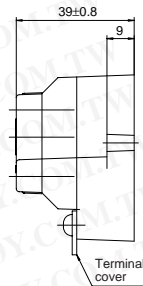
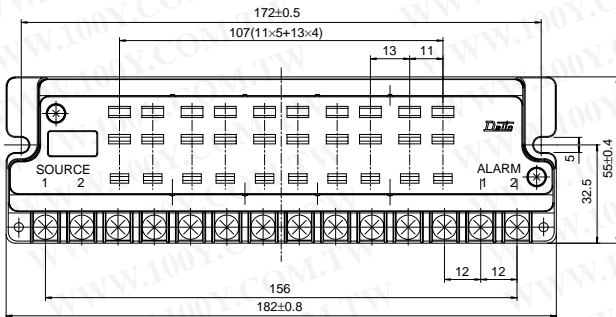
#### DS-401A

●Black  
 Net weight 340g

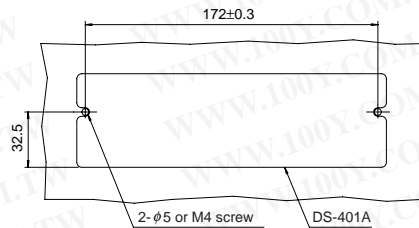


Cat. No.	Rated voltage	Carrying capacity		Withstand voltage	
		Classification	Carrying capacity	Between terminals	Test voltage
DS-401A	AC220V	Power supply circuit	25A	Other	AC2,500V 1min
		Load circuit	10A		
	DC250V	Alarm circuit	5A	Between alarm terminals	AC1,000V 1min

■Insulation resistance... Min. 100MΩ at 500VDC (Min. 10MΩ between alarm terminals)  
 ■Contact resistance... Max. 5mΩ per terminal (Max. 20mΩ between alarm terminals)



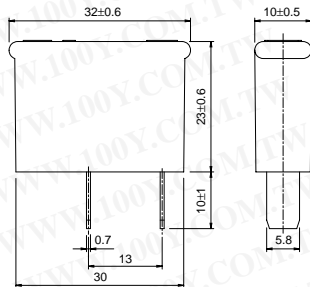
Dimensions of mounting hole for DS-401A



Note) The earthed side of main power supply shall be connected with source 2, when main power supply and alarm power supply are earthed.

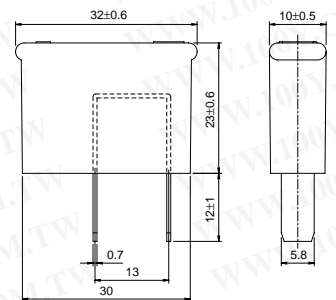
### Plugs, type P

●Pale blue  
**P type blank piece**  
 Net weight 6g



This is for indicating that alarm-fuses are not used.

**P type short plug**  
 Net weight 6g



This short plug is for making connection with circuit replacing an alarm-fuse. (type P, PL, SP)

Information in this catalog may be subject to change without notice. Please confirm product information when ordering.