

P-PL Fuseholder

勝特力材料 886-3-5753170
 勝特力电子(上海) 86-21-54151736
 勝特力电子(深圳) 86-755-83298787
 Http://www.100y.com.tw

Surface mounting type

For type-P4 fuses

P4-4S

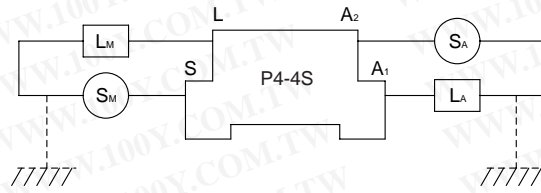
●Black
 Net weight 33g



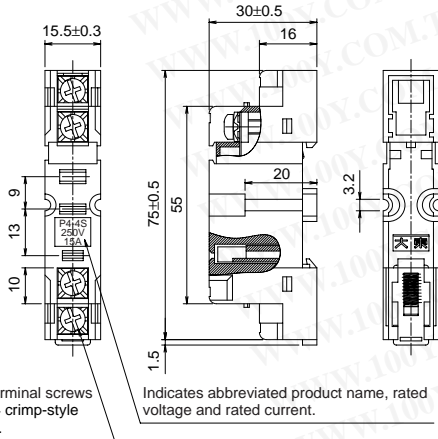
The above photo shows a fuseholder with insulation covers (sold separately).

Cat. No.	Rated voltage	Rated current		Withstand voltage	
		Main circuit	Alarm circuit	Between alarm terminals	Other
P4-4S	250V	15A	5A	AC1,000V 1 minute	AC2,000V 1 minute

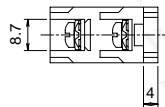
Connection



SM: Main circuit power supply
 SA: Alarm circuit power supply
 LM: Main load
 LA: Alarm load

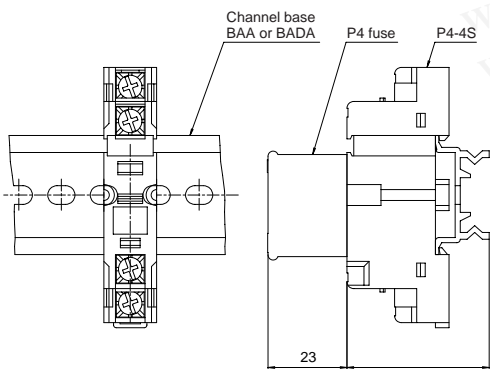


4 × M4 terminal screws
 Use R2-4 crimp-style terminals.



Rail-mount

P4-4S is directly mounted on the rail as shown below.
 Optional parts are shown in the table on the right.
 Refer to the diagram below for mounting dimensions.



33.5mm when BAA is used
 41.8mm when BADA is used

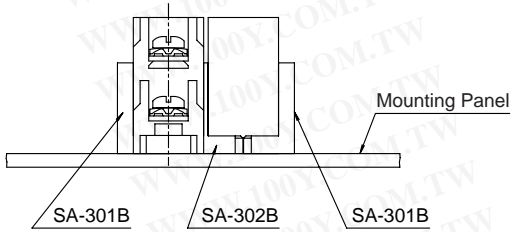
Item	Cat. No.	Remarks
*Channel base (Support rail)	BAA-1000	 Mounting screw M5 × 8mm (Minimum size)
	BADA-1000	 Mounting screw M5 × 16mm (Minimum size)
Metal fitting	BNL-5	
Common bar	4S-CMBAR	 Use for parallel connection with alarm or power supply circuit. For 11 holders. Only rail mounting is available.

*Note on Mounting: Leave a gap for a fixing screw at least every 325mm (20 × P4-4S fuse holders).

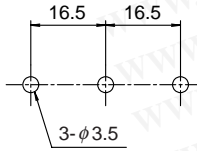
P.PL Fuseholder

勝特力材料 886-3-5753170
 勝特力电子(上海) 86-21-54151736
 勝特力电子(深圳) 86-755-83298787
[Http://www.100y.com.tw](http://www.100y.com.tw)

■Direct mounting on panel
 Use dedicated socket adapters.
 Optional parts for direct mounting are shown in table on the right.
 P4-4S is mounted using an adapter as shown in the table.



Mounting dimensional drawing
 Use socket adapter



Item	Cat. No.	Remarks
Socket adapter (Direct mounting for edge)	SA-301B	Mounting screw M3 × 25
Socket adapter (Direct mounting for center)	SA-302B	Mounting screw M3 × 25
P4-4S Insulation cover	4S-INCO	