



勝特力材料 886-3-5753170
 胜特力电子(上海) 86-21-54151736
 胜特力电子(深圳) 86-755-83298787
 Http://www.100y.com.tw

INDUSTRIAL PRESS-FIT POWER RECTIFIERS TYPE 25A

Features

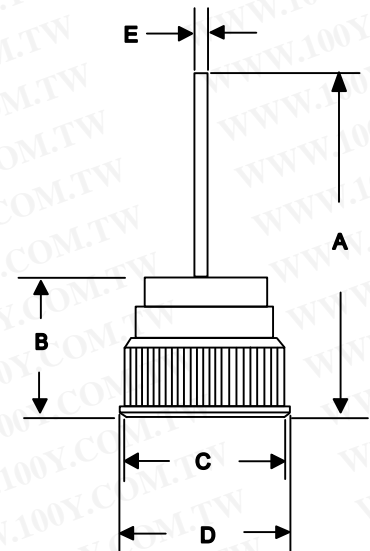
- High Surge Capability
- High Voltage Available
- Designed For A Wide Range of Application
- Leaded Version Available
- Types Up to 1000V V_{RRM}
- Open junction

25Amp Rectifier
 50-1000 Volts

Maximum Ratings

Operating Temperature: -65°C to $+190^{\circ}\text{C}$
 Storage Temperature: -65°C to $+190^{\circ}\text{C}$

Part Number	Maximum Recurrent Peak Reverse Voltage	Maximum RMS Voltage	Maximum DC Blocking Voltage
PFBM2501(R)	50V	35V	50V
PFBM2502(R)	100V	70V	100V
PFBM2503(R)	200V	140V	200V
PFBM2504(R)	400V	280V	400V
PFBM2505(R)	600V	420V	600V
PFBM2506(R)	800V	560V	800V
PFBM2507(R)	1000V	700V	1000V



Electrical Characteristics @ 25°C Unless Otherwise Specified

Average Forward Current	$I_{F(AV)}$	25A	$T_C = 100^{\circ}\text{C}$
Peak Forward Surge Current	I_{FSM}	400A	8.3ms, half sine
Maximum Instantaneous Forward Voltage *	V_F	1.0V	$I_{FM} = 25A;$ $T_J = 25^{\circ}\text{C}$
Maximum Instantaneous DC Reverse Current At Rated DC Blocking Voltage	I_R	10uA 500uA	$T_J = 25^{\circ}\text{C}$ $T_J = 150^{\circ}\text{C}$
Maximum thermal resistance, junction to case	$R_{\theta jc}$	$1.2^{\circ}\text{C}/\text{W}$	

Notes:

- Standard Polarity: Lead is Cathode
- Reverse Polarity: Lead is Anode

DIM	DIMENSIONS				NOTE
	INCHES		MM		
	MIN	MAX	MIN	MAX	
A	0.68	0.71	17.20	18.20	
B	0.38	0.39	9.70	10.00	
C	0.503	0.506	12.78	12.84	
D	0.509	0.511	12.92	12.98	

*Pulse Test: Pulse Width 300 usec, Duty Cycle 2%



勝特力材料 886-3-5753170
勝特力电子(上海) 86-21-54151736
勝特力电子(深圳) 86-755-83298787
[Http://www.100y.com.tw](http://www.100y.com.tw)

PFBM2501(R) THRU PFBM2507(R)

FIG.1- MAXIMUM FORWARD CURRENT DERATING CURVE

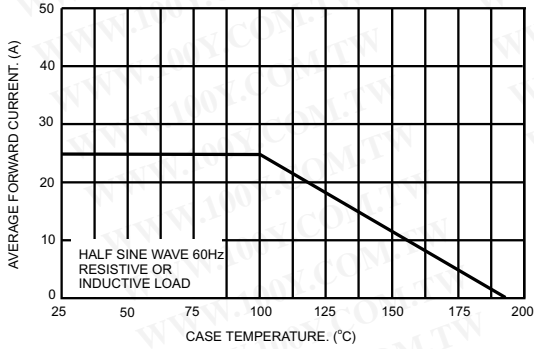


FIG.2- MAXIMUM NON-REPETITIVE PEAK FORWARD SURGE CURRENT

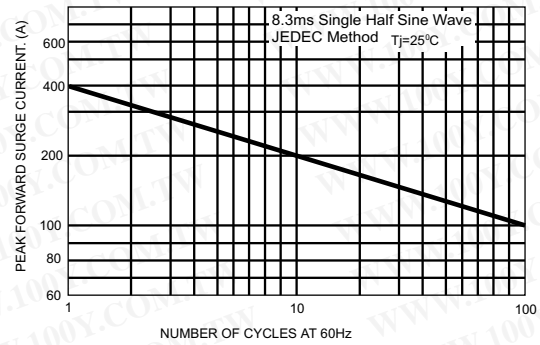


FIG.3- TYPICAL FORWARD CHARACTERISTICS

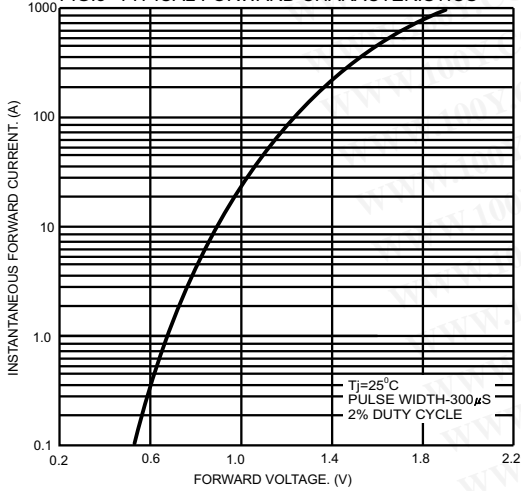


FIG.4- TYPICAL REVERSE CHARACTERISTICS

