

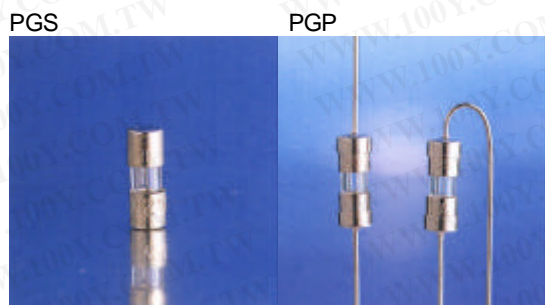


CONQUER

MICRO FUSES

Type PGS/PGP 3.6 Ø x 10mm

Fast Acting Glass Fuse Series



Approvals

PGS

UL Listed 50mA~10A
CSA Certified 50mA ~10A

PGP (With Pig-Tail)

UL Listed 50mA ~10A
CSA Certified 50mA ~10A

Electrical Characteristics

Rated Current	1 In	2 In
	MIN	MAX
50mA ~10A	4 Hrs	5 Sec

Interrupting Ratings

50 amperes at 250V AC

Operating Temperature

-55°C to +125°C

Options

With Heat Shrink Tubing (VM-1) over body
PGP Series Available on Tape and reel

Physical Specification

Materials

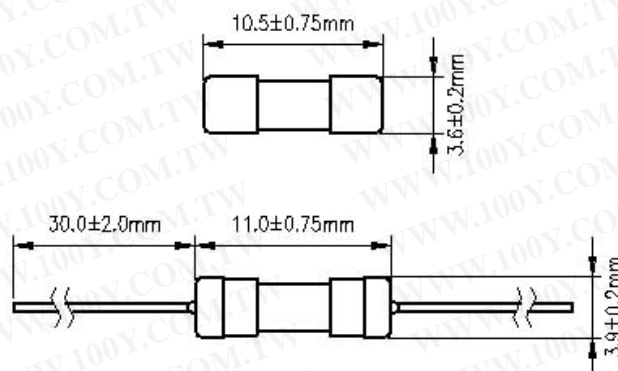
Glass body / Nickel Brass Caps
Lead Wire:
Diameter Ø 0.6 mm 5A and less.
Diameter Ø 0.8 mm for rating above 6A to 7A.
Diameter Ø 1.0 mm for rating above 8A.

Packaging

- In Bulk:
PGS – 5,000 pcs ; PGP – 1,000 pcs per box
- On Axial Tape & Reel
1,500 pcs per reel.
- Tape & Reel specification:
per EIA-296-E & IEC 286-1
@ 10mm Pitch and 56.5mm inside Tape Spacing.

Cartridge Catalog Number	Axial Lead Catalog Number	Ampere Rating [In]	Voltage Rating (V)	Nominal Resistance Cold Ohms	Nominal Melting I ² t A ² Sec
PGS .100	PGP .100	100mA	250V	4.8250	0.00194
PGS .125	PGP .125	125mA		3.8620	0.00289
PGS .200	PGP .200	200mA		1.7302	0.01137
PGS .250	PGP .250	250mA		1.6120	0.02248
PGS .300	PGP .300	300mA		0.9250	0.02945
PGS .400	PGP .400	400mA		0.5840	0.06950
PGS .500	PGP .500	500mA		0.2322	0.12750
PGS .600	PGP .600	600mA		0.1765	0.21800
PGS .750	PGP .750	750mA		0.1310	0.25420
PGS .800	PGP .800	800mA		0.1215	0.30420
PGS 001	PGP 001	1A		0.1056	0.50800
PGS 1.50	PGP 1.50	1.5A		0.0595	0.88400
PGS 1.60	PGP 1.60	1.6A		0.0565	0.96500
PGS 002	PGP 002	2A		0.0378	2.27000
PGS 2.50	PGP 2.50	2.5A		0.0342	3.73240
PGS 3.15	PGP 3.15	3.15A		0.0253	5.95200
PGS 004	PGP 004	4A		0.0174	8.85500
PGS 4.50	PGP 4.50	4.5A		0.0170	9.77000
PGS 005	PGP 005	5A		0.0145	15.5600
PGS 006	PGP 006	6A		0.0132	17.9730
PGS 6.30	PGP 6.30	6.3A	0.0120	19.2510	
PGS 6.50	PGP 6.50	6.5A	0.0118	21.8500	
PGS 007	PGP 007	7A	0.0111	25.8150	
PGS 008	PGP 008	8A	0.0088	35.2150	
PGS 010	PGP 010	10A	0.0056	88.5200	

Mechanical Dimensions



勝特力材料 886-3-5753170
勝特力电子(上海) 86-21-54151736
勝特力电子(深圳) 86-755-83298787
[Http://www.100y.com.tw](http://www.100y.com.tw)

Conquer Electronics Co., LTD.

No. 15, Lane 120, Li Te Rd., Peitou 11268, Taipei, Taiwan TEL: 886-2-2895-8895 (Rep.) FAX: 886-2-2895-8880,2895-8924
E-mail: congfuse@ms62.hinet.net Homepage: <http://www.conquer.com.tw>