

PH SERIES

DC/DC Single Output: 50-300 Watts



勝特力材料 886-3-5753170
 勝特力电子(上海) 86-21-54151736
 勝特力电子(深圳) 86-755-83298787
[Http://www.100y.com.tw](http://www.100y.com.tw)

Specifications

INPUT VOLTAGE:	24VDC (18~36V) 48VDC (36~72V) 110VDC (82~185V) 280VDC (200~400V)
EFFICIENCY:	Model dependent 68%~90%
OUTPUT VOLTAGE:	F series: 2, 3, 5, 15, 24VDC S series: 5, 12, 15, 24, 28VDC
VOLTAGE TRIM:	F series: -60%~+20% (2~3V±20%) S series: ±10% Adjustment by TRIM terminal and external resistor network
OUTPUT POWER:	50~300 watts
LINE REGULATION:	0.4% or 20 mV, whichever is greater
LOAD REGULATION:	0.8% or 40mV, whichever is greater
TEMP. CO-EFFICIENT:	0.02% per °C
RIPPLE & NOISE:	100mV pk - pk: 2~5V models 150mV pk - pk: 12~15mV models 240mV-280mV pk - pk: 24 - 28mV models
REMOTE SENSE:	Yes (not available on PH50S & PH75S)
OVER TEMP. PROTECTION:	Inverter shutdown protects against excessive temperatures. Recycle input power to restore operation
OVERLOAD PROTECTION:	Overload protection set at 105%~140% constant current with auto recovery
OVERVOLTAGE PROTECTION:	2~3V models set at 165%~240% 5~28V models set at 125%~145% Recycle input power to restore operation
REMOTE ON/OFF:	Short terminal CNT to SG to turn unit on, open circuit to turn unit off
INVERTER GOOD SIGNAL:	F series only, provides an inverter good status at the IOG terminal when module is healthy
PARALLEL OPERATION:	F series only: output current balancing (PC) terminal
SERIES OPERATION:	Yes
AUXILIARY SUPPLY:	F series modules provide 8V 10mA bias supply which can be used to power interface circuits (ie. optocouplers)
COOLING:	All modules must be "conduction" cooled via the baseplate
ISOLATION:	Input - output/baseplate: 3000V/2500VAC Output - chassis: 500VDC
OPERATING TEMP:	Baseplate temperature -20°C to +85°C
SAFETY:	UL1950, CSA, EN60950

Features

- Wide input DC range
- 24V, 48V, 110V and 300VDC input options
- Output power: 50W, 75W, 100W, 150W and 300W
- Output voltage trim
- Wide baseplate operating temperature -20°C~85°C
- Parallel and N+1 operation "F" series modules
- Fully isolated and regulated output
- International safety approvals and CE marked
- OVP, overload protection
- Overtemperature protection
- Fully encapsulated, suitable for harsh environments
- Suitable for a wide range of industrial applications

Dimensions:

	L	W	H	Weight:
PH50S	86	41	12.7mm	100gm
PH75S	86	41	12.7mm	100gm
PH100S	86	64	12.7mm	150gm
PH150S	86	72	12.7mm	150gm
PH75F	86	64	12.7mm	150gm
PH100F	86	83	12.7mm	180gm
PH150F	86	83	12.7mm	180gm
PH300F	86	146	12.7mm	250gm

For further technical information visit our website:
www.amtex.com.auApplication Notes

- PH Thermal Design
- PH Installation
- PH Application & Instruction Manual
- PH Parallel Operation



PH SERIES

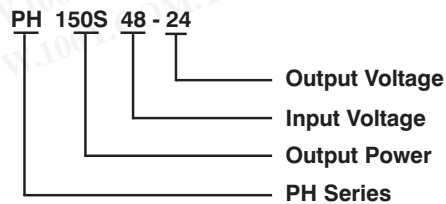
DC/DC Single Output: 50 - 300 Watts

MODEL	Output V A	Power W
PH50S24 - 3.3	3.3V 10A	33W
PH50S24 - 5	5V 10A	50W
PH50S24 - 12	12V 4.2A	50.4W
PH50S24 - 15	15V 3.4A	51W
PH50S24 - 24	24V 2.1A	50.4W
PH50S24 - 28	28V 1.8A	50.4W
PH100F24 - 2	2V 20A	40W
PH100F24 - 3	3V 20A	60W
PH100F24 - 5	5V 20A	100W
PH100F24 - 12	12V 8.4A	100.8W
PH100F24 - 15	15V 6.7A	100.5W
PH100F24 - 24	24V 4.2A	100.8W
PH100F24 - 28	28V 3.6A	100.8W
PH300F24 - 28	28V 10.8A	302.4W
PH50S48 - 3.3	3.3V 10A	33W
PH50S48 - 5	5V 10A	50W
PH50S48 - 12	12V 4.2A	50.4W
PH50S48 - 15	15V 3.4A	51W
PH50S48 - 24	24V 2.1A	50.4W
PH50S48 - 28	28V 1.8A	50.4W
PH75S48 - 3.3	3.3V 15A	49.5W
PH75S48 - 5	5V 15A	75W
PH75S48 - 12	12V 6.3A	75.6W
PH75S48 - 15	15V 5A	75W
PH75S48 - 24	24V 3.2A	76.8W
PH75S48 - 28	28V 2.7A	75.6W
PH75F48 - 2	2V 15A	30W
PH75F48 - 3	3V 15A	45W
PH75F48 - 5	5V 15A	75W
PH75F48 - 12	12V 6.3A	75.6W
PH75F48 - 15	15V 5A	75W
PH75F48 - 24	24V 3.2A	76.8W
PH75F48 - 28	28V 2.7A	75.6W
PH100S48 - 3.3	3.3V 20A	66W
PH100S48 - 5	5V 20A	100W
PH100S48 - 12	12V 8.4A	100.8W
PH100S48 - 15	15V 6.7A	100.5W
PH100S48 - 24	24V 4.2A	100.8W
PH100S48 - 28	28V 3.6A	100.8W
PH150S48 - 3.3	3.3V 30A	99W
PH150S48 - 5	5V 30A	150W
PH150S48 - 12	12V 12.5A	150W
PH150S48 - 15	15V 10A	150W
PH150S48 - 24	24V 6.3A	151.2W
PH150S48 - 28	28V 5.4A	151.2W
PH150F48 - 2	2V 30A	60W
PH150F48 - 3	3V 30A	90W
PH150F48 - 5	5V 30A	150W
PH150F48 - 12	12V 12.5A	150W
PH150F48 - 15	15V 10A	150W
PH150F48 - 24	24V 6.3A	151.2W
PH150F48 - 28	28V 5.4A	151.2W

MODEL	Output V A	Power W
PH300F48 - 2	2V 60A	120W
PH300F48 - 3	3V 60A	180W
PH300F48 - 5	5V 60A	300W
PH300F48 - 12	12V 25A	300W
PH300F48 - 15	15V 20A	300W
PH300F48 - 24	24V 12.6A	302.4W
PH300F48 - 28	28V 10.8A	302.4W
PH50S110 - 5	5V 10A	50W
PH50S110 - 12	12V 4.2A	50.4W
PH50S110 - 15	15V 3.4A	51W
PH50S110 - 24	24V 2.1A	50.4W
PH50S110 - 28	28V 1.8A	50.4W
PH75S110 - 5	5V 15A	75W
PH75S110 - 12	12V 6.3A	75.6W
PH75S110 - 15	15V 5A	75W
PH75S110 - 24	24V 3.2A	76.8W
PH75S110 - 28	28V 2.7A	75.6W
PH75F110 - 2	2V 15A	30W
PH75F110 - 3	3V 15A	45W
PH75F110 - 5	5V 15A	75W
PH75F110 - 12	12V 6.3A	75.6W
PH75F110 - 15	15V 5A	75W
PH75F110 - 24	24V 3.2A	76.8W
PH75F110 - 28	28V 2.7A	75.6W
PH150S110 - 5	5V 30A	150W
PH150S110 - 12	12V 12.5A	150W
PH150S110 - 15	15V 10A	150W
PH150S110 - 24	24V 6.3A	151.2W
PH150S110 - 28	28V 5.4A	151.2W
PH150F110 - 2	2V 30A	60W
PH150F110 - 3	3V 30A	90W
PH150F110 - 5	5V 30A	150W
PH150F110 - 12	12V 12.5A	150W
PH150F110 - 15	15V 10A	150W
PH150F110 - 24	24V 6.3A	151.2W
PH150F110 - 28	28V 5.4A	151.2W
PH300F110 - 2	2V 60A	120W
PH300F110 - 3	3V 60A	180W
PH300F110 - 5	5V 60A	300W
PH300F110 - 12	12V 25A	300W
PH300F110 - 15	15V 20A	300W
PH300F110 - 24	24V 12.6A	302.4W
PH300F110 - 28	28V 10.8A	302.4W

MODEL	Output V A	Power W
PH50S280 - 3.3	3.3V 10A	33W
PH50S280 - 5	5V 10A	50W
PH50S280 - 12	12V 4.2A	50.4W
PH50S280 - 15	15V 3.4A	51W
PH50S280 - 24	24V 2.1A	50.4W
PH50S280 - 28	28V 1.8A	50.4W
PH75S280 - 3.3	3.3V 15A	49.5W
PH75S280 - 5	5V 15A	75W
PH75S280 - 12	12V 6.3A	75.6W
PH75S280 - 15	15V 5A	75W
PH75S280 - 24	24V 3.2A	76.8W
PH75S280 - 28	28V 2.7A	75.6W
PH75F280 - 2	2V 15A	30W
PH75F280 - 3	3V 15A	45W
PH75F280 - 5	5V 15A	75W
PH75F280 - 12	12V 6.3A	75.6W
PH75F280 - 15	15V 5A	75W
PH75F280 - 24	24V 3.2A	76.8W
PH75F280 - 28	28V 2.7A	75.6W
PH100S280 - 3.3	3.3V 20A	66W
PH100S280 - 5	5V 20A	100W
PH100S280 - 12	12V 8.4A	100.8W
PH100S280 - 15	15V 6.7A	100.5W
PH100S280 - 24	24V 4.2A	100.8W
PH100S280 - 28	28V 3.6A	100.8W
PH150S280 - 3.3	3.3V 30A	99W
PH150S280 - 5	5V 30A	150W
PH150S280 - 12	12V 12.5A	150W
PH150S280 - 15	15V 10A	150W
PH150S280 - 24	24V 6.3A	151.2W
PH150S280 - 28	28V 5.4A	151.2W
PH150F280 - 2	2V 30A	60W
PH150F280 - 3	3V 30A	90W
PH150F280 - 5	5V 30A	150W
PH150F280 - 12	12V 12.5A	150W
PH150F280 - 15	15V 10A	150W
PH150F280 - 24	24V 6.3A	151.2W
PH150F280 - 28	28V 5.4A	151.2W
PH300F280 - 2	2V 60A	120W
PH300F280 - 3	3V 60A	180W
PH300F280 - 5	5V 60A	300W
PH300F280 - 12	12V 25A	300W
PH300F280 - 15	15V 20A	300W
PH300F280 - 24	24V 12.6A	302.4W
PH300F280 - 28	28V 10.8A	302.4W

5

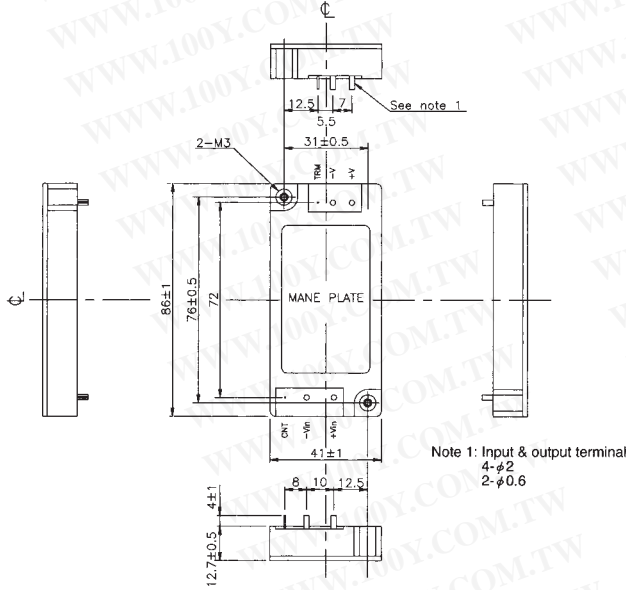


PH SERIES

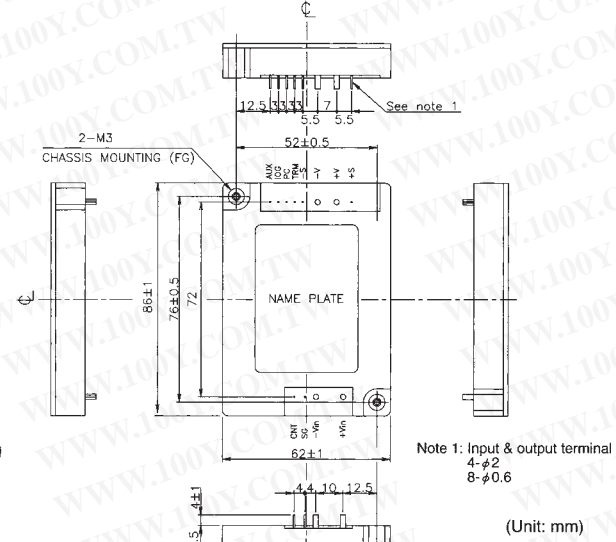
DC/DC Single Output: 50 - 300 Watts

勝特力材料 886-3-5753170
 勝特力电子(上海) 86-21-54151736
 勝特力电子(深圳) 86-755-83298787
[Http://www.100y.com.tw](http://www.100y.com.tw)

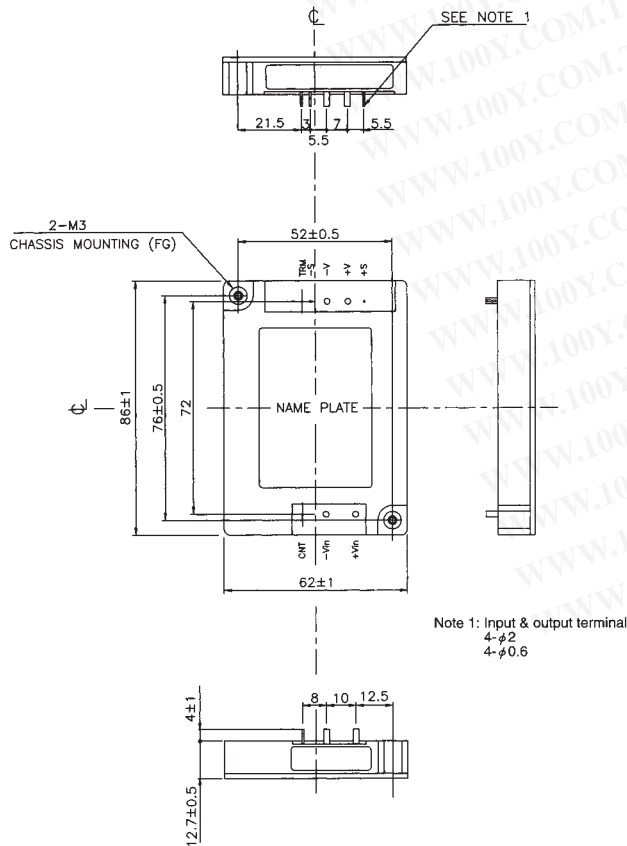
PH50S & PH75S



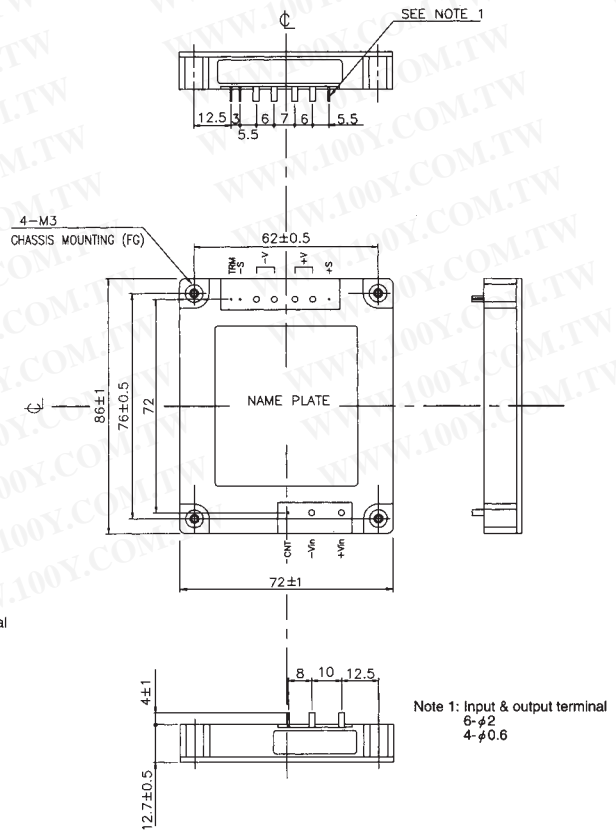
PH75F



PH100S



PH150S

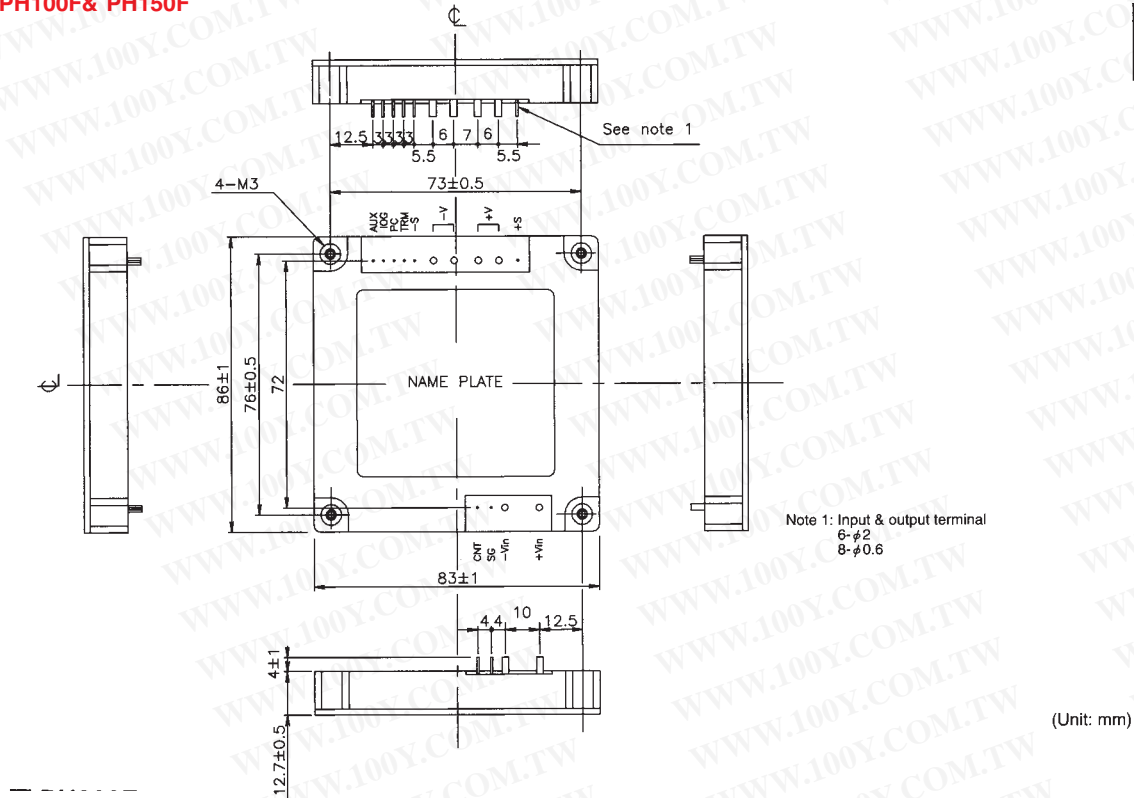


PH SERIES

DC/DC Single Output: 50 - 300 Watts

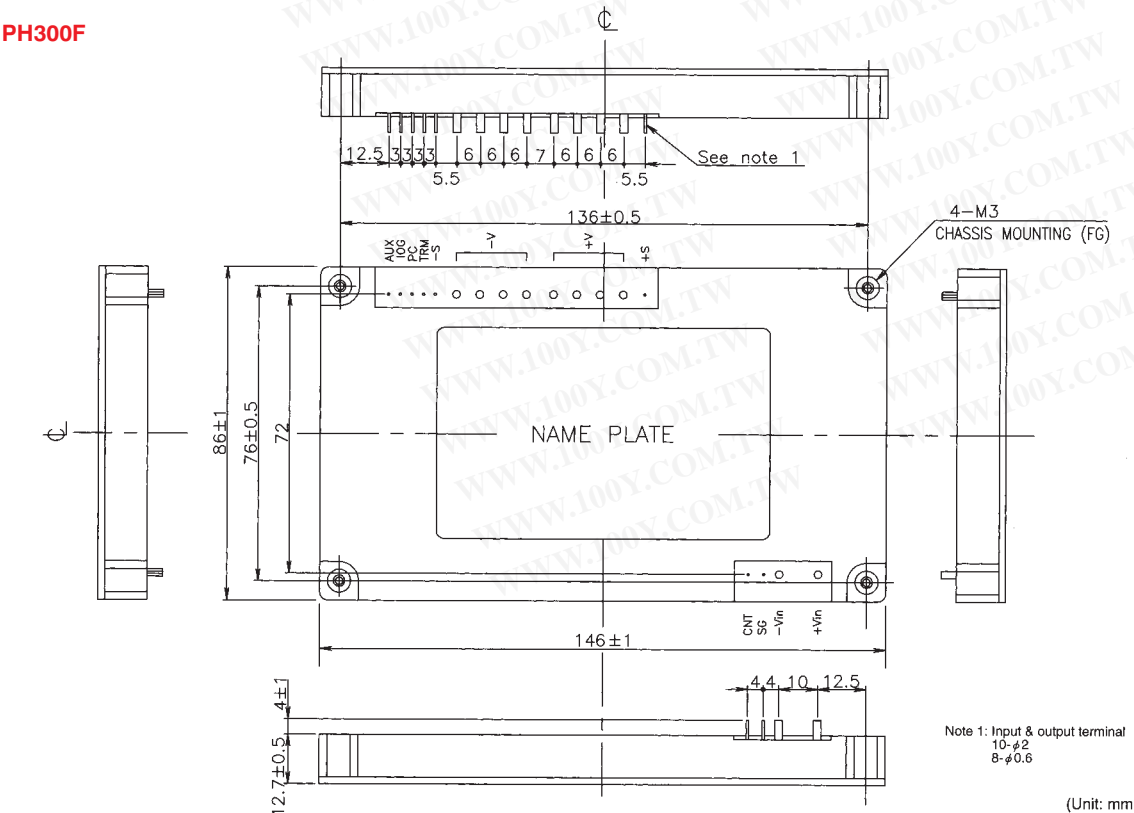
勝特力材料 886-3-5753170
 勝特力电子(上海) 86-21-54151736
 勝特力电子(深圳) 86-755-83298787
[Http://www.100y.com.tw](http://www.100y.com.tw)

PH100F& PH150F



(Unit: mm)

PH300F



(Unit: mm)