



6853FO 75W GZ6.35 12V 1CT

Product family description
Quartz halogen lamps with integral reflector

Product Features

- Optimised for use in fibre optic systems, but also suitable for numerous other applications

Application

- Fibre optic equipment such as:
- Endoscopes
- Boroscopes
- Machine vision
- Pool lighting
- Architectural lighting
- Reading lights
- All kinds of optical applications

Product data	
Product Number	315028
Full product name	6853FO 75W GZ6.35 12V 1CT
Ordering Code	EFN
Pack type	1 Carton
Pieces per Sku	1
Skus/Case	50
Pack UPC	8711500409744
EAN2US	
Case Bar Code	8711500419378
Successor Product number	
ANSI Code	-
Cap- Base	GZ6.35
Bulb	R50
Operating Position	s115
Main Application	Projection
Packing Type	1CT [1 Carton]

Product data	
Packing Configuration	10X5F
Life to 50% failures	50 hr
Pack UPC	8711500409744
Case Bar Code	8711500419378
Ordering Code	EFN
Lamp Wattage Rated	75W
Dimmable	Yes
Luminous Intensity	- cd
Colour Rendering Index	100 Ra8
Overall Length C	42 mm
Diameter D	
Case Height	10.000 in
Case Length	12.000 in
Case Width	4.000 in
Product Number	315028
Pack Height	2.200 in
Pack Length	1.800 in
Pack Weight	0.080 in
Pack Width	1.800 in



XHFODI GZ6.35

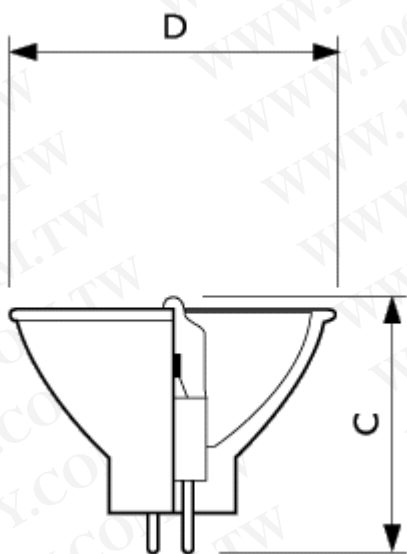


Cap- Base GZ6.35

勝特力材料 886-3-5753170
 勝特力电子(上海) 86-21-54151736
 勝特力电子(深圳) 86-755-83298787
[Http://www.100y.com.tw](http://www.100y.com.tw)



Operating Position s115



XHFODI GX5.3/GZ6.35

	C	D
Full product name	Max	Max
6853FO 75W GZ6.35 12V 1CT	42	50

