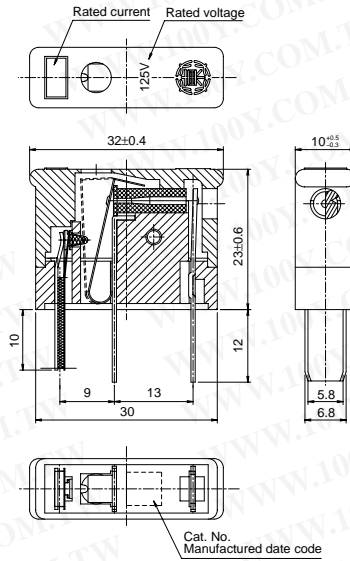


Alarm Fuses

P4L·PL4L Fuse

Normal blow

勝特力材料 886-3-5753170
 勝特力电子(上海) 86-21-54151736
 勝特力电子(深圳) 86-755-83298787
[Http://www.100y.com.tw](http://www.100y.com.tw)



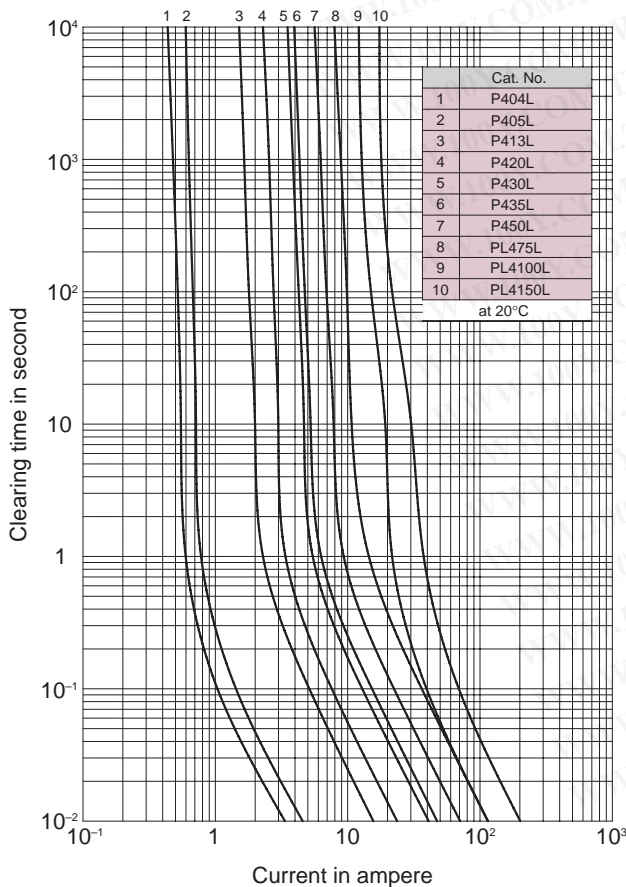
- Physical Size · Net Weight
32 × 10 × 35mm 9.5g
- Color
P4L : Black
PL4L : Brown
- Package
100Pcs/Box
- Applicable Fuseholders
Type P4 Fuseholders

Carrying Capacity	Clearing Time
110%	135% within 1 hour 200% within 2 minutes

Cat. No.	Rated Current	Breaking Capacity	Typ. Resistance*1
P404L	0.4A	AC 125V 10,000A DC 125V 1,500A	2.1Ω
P405L	0.5A		1.6Ω
P413L	1.3A		0.44Ω
P420L	2A		60mΩ
P430L	3A		38mΩ
P435L	3.5A		34mΩ
P450L	5A		25mΩ
PL475L	7.5A		17mΩ
PL4100L	10A		10mΩ
PL4150L	15A		8mΩ

*1 : at 10% max. of rated current
 *2 : Alarm contact capacity
 P4L, PL4L ; 200VA max. 5A

Clearing Characteristics



I²t Characteristics

