

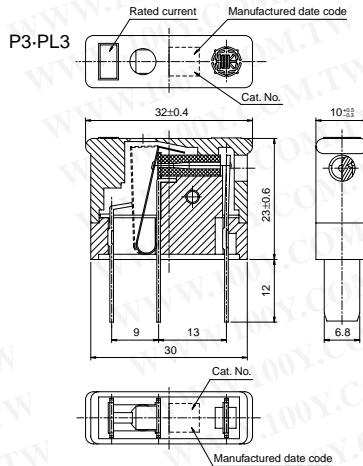
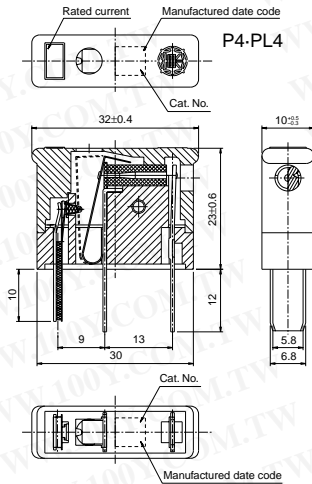
Alarm Fuses



P4-PL4, P3-PL3 Fuse

NTT spec.

Normal blow



- Physical Size · Net Weight
32 × 10 × 35mm 9.5g
- Color
P4, P3 : Black
PL4, PL3 : Brown
- Package
100Pcs/Box
- Applicable Fuseholders
P4, PL4 : Type P4 Fuseholders
P3, PL3 : Type P3 Fuseholders

Cat. No.	Rated Current	Clearing Current ^{*1}	Breaking Capacity	Typ. Resistance ^{*2}
P[]03	0.3A	0.7A	AC 220V 2,500A DC 250V 1,500A	2Ω
P[]05	0.5A	1A		1.3Ω
P[]13	1.3A	2A		0.5Ω
P[]20	2A	3A		62mΩ
P[]30	3A	4.5A		44mΩ
P[]35	3.5A	5.3A		34mΩ
P[]50	5A	7.5A		28mΩ
PL[]75	7.5A	11A	AC 125V 2,500A	18mΩ
PL[]100	10A	20A	DC 125V 1,500A	10mΩ
PL[]150	15A	30A	AC/DC 125V 1,000A	8mΩ

[] mean either "3" or "4"

*1 : Clearing Current within 1 minute

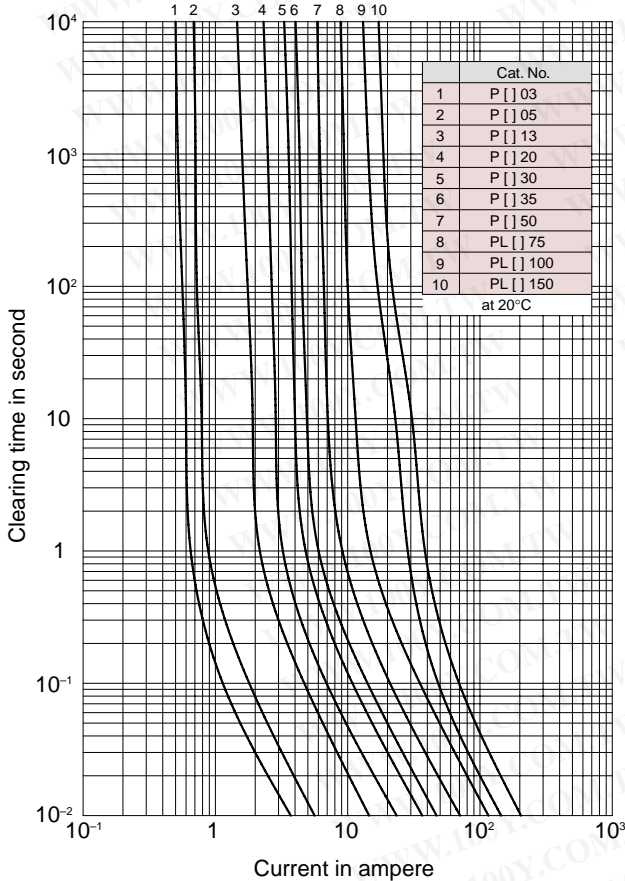
*2 : at 10% max. rated current

Note : Alarm contact capacity

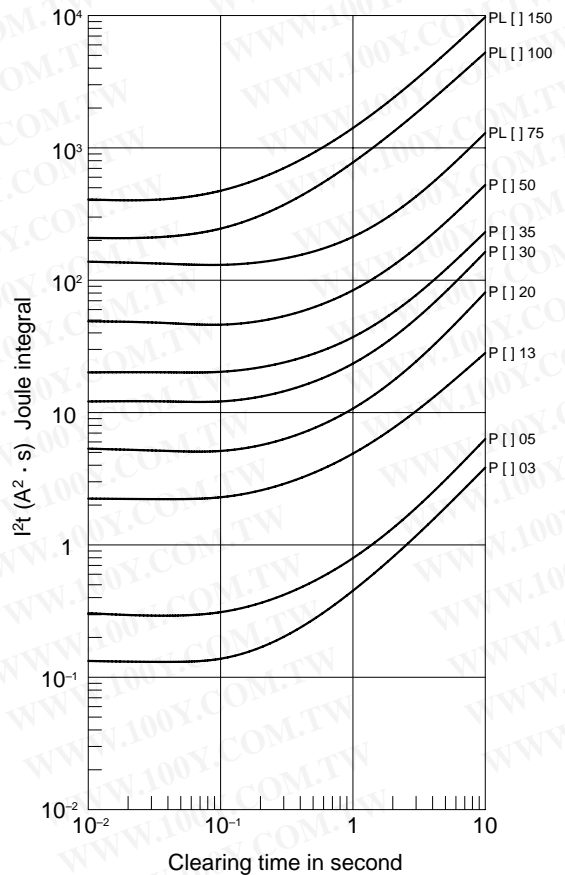
P4, PL4 ; 200VA Max. AC 220V/DC 250V Max. 5A

P3, PL3 ; 50VA Max. AC 220V/DC 250V Max. 5A

Clearing Characteristics



I²t Characteristics



勝特力材料 886-3-5753170
 勝特力电子(上海) 86-21-54151736
 勝特力电子(深圳) 86-755-83298787
[Http://www.100y.com.tw](http://www.100y.com.tw)

Information in this catalog may be subject to change without notice. Please confirm product information when ordering.