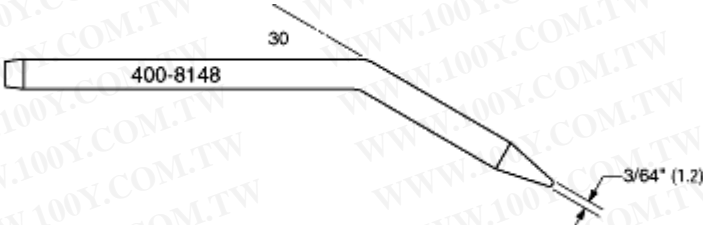
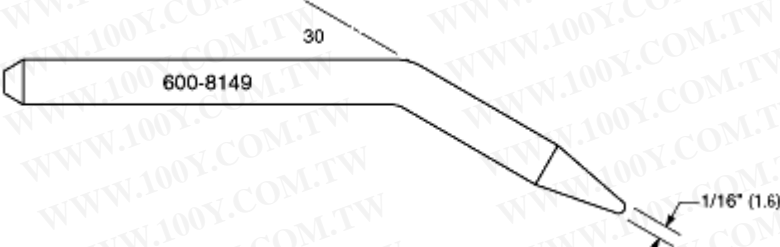
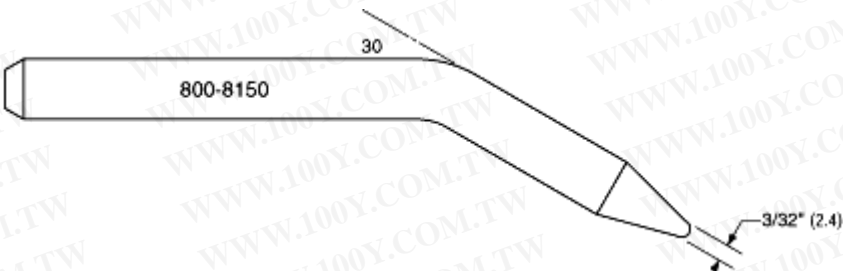






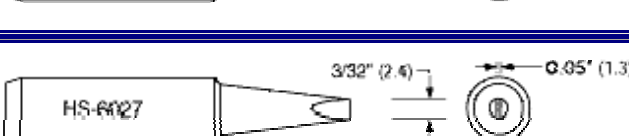



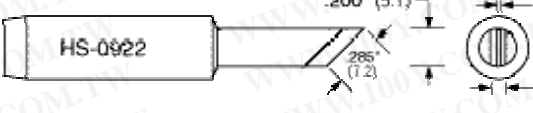


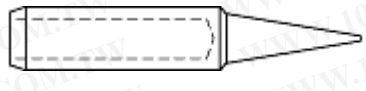


Hakko®	Plato®	PLATO® TIP & ORDER NUMBER
582-T-4	400-8148	
585-T-6	600-8149	
587-T-8	800-8150	








Hakko®	Plato®	PLATO® TIP & ORDER NUMBER
900L-T-2B	HS-4789	
900L-T-2C	HS-5705	
900L-T-3C	HS-5706	
900L-T-4C	HS-5707	
900L-T-5C	HS-5876	
900L-T-1.6D	HS-6094	
900L-T-2.4D	HS-6027	





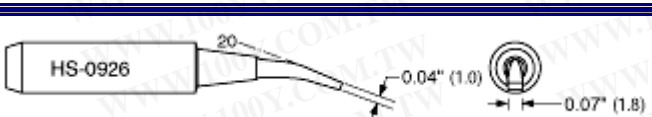



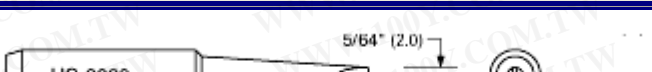



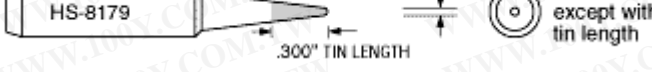

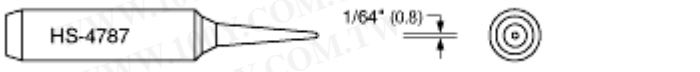
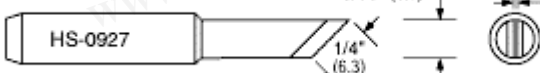
勝特力材料 886-3-5753170  
 勝特力电子(上海) 86-21-54151736  
 勝特力电子(深圳) 86-755-83298787  
[Http://www.100y.com.tw](http://www.100y.com.tw)





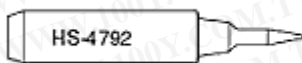

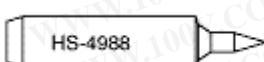



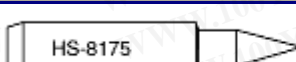





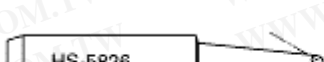

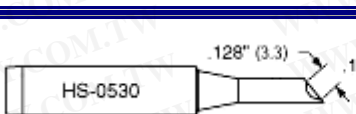

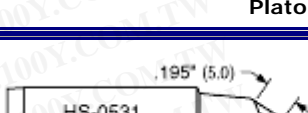


900L-T-3.2D	HS-2755	
900L-T-B	HS-4788	
900L-T-I	HS-4790	
900L-T-K	HS-0922	
900L-T-LB	HS-8177	
900L-T-S1	HS-1666	
		 Typical Tip Drawing

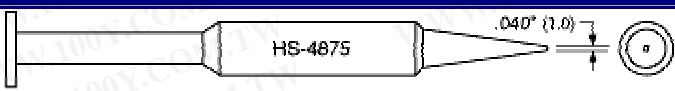

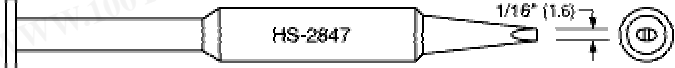

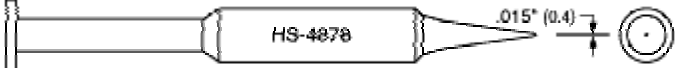

勝特力材料 886-3-5753170  
 勝特力电子(上海) 86-21-54151736  
 勝特力电子(深圳) 86-755-83298787  
[Http://www.100y.com.tw](http://www.100y.com.tw)

Plato® Tips to fit Hakko® 702, 703, 703B, 926, 927, 928, 933, 936, 937  
 Soldering Stations with Handpiece M926, 900M or 907 ESD, and  
 O.K. Industries® SA1000 Station with SAI-640 Handpiece

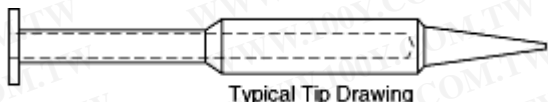

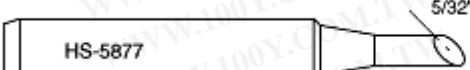


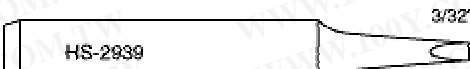
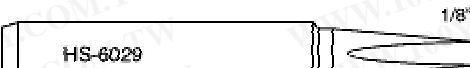
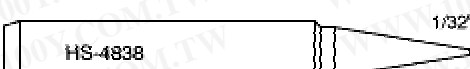


Hakko®	Plato®	PLATO TIP & ORDER NUMBER
900M-T-1C	HS-5701	
900M-T-1.5CF	HS-5861	
900M-T-2C	HS-5702	
900M-T-3C	HS-5703	
900M-T-4C	HS-5875	
900M-T-0.2RB	HS-4791	
900M-T-0.5C	HS-5715	





900M-T-0.8C	<b>HS-5716</b>	
900M-T-0.8D	<b>HS-2863</b>	
900M-T-1.2D 900M-T-S1	<b>HS-2796</b>	
900M-T-1.6D	<b>HS-2751</b>	
900M-T-1.8H	<b>HS-0926</b>	
900M-T-2.4D	<b>HS-2752</b>	
900M-T-3.2D	<b>HS-2753</b>	
900M-T-1.2LD	<b>HS-6030</b>	
900M-T-2LD	<b>HS-6092</b>	
900M-T-3.2LD	<b>HS-6093</b>	
900M-T-B	<b>HS-4785</b>	
---	<b>HS-8179</b>	
900M-T-H	<b>HS-0925</b>	
900M-T-I	<b>HS-4787</b>	
900M-T-K	<b>HS-0927</b>	
900M-T-LB	<b>HS-4786</b>	

900M-T-R	<b>HS-0923</b>	 $1/8"$ (3.2)  SMD Chip Tip
900M-T-RT	<b>HS-0924</b>	 $5/64"$ (2.0)  SMD Chip Tip
900M-T-SB	<b>HS-4792</b>	 $.016"$ (0.4) 
900M-T-SMD	<b>HS-4988</b>	 $.008"$ (0.2) 
900M-T-S3	<b>HS-1665</b>	 $13/64"$ (5.2)  $.040"$ (1.0)
900M-T-S4	<b>HS-8175</b>	 $.008"$ (0.2) 
900M-T-S5	<b>HS-8157</b>	 $1/64"$ (0.4) 
900M-T-S6	<b>HS-5827</b>	 $.050"$ (1.3) 
900M-T-S7	<b>HS-5826</b>	 $.046"$ (1.2) 
---	<b>HS-0530</b>	 $128"$ (3.3) $.118"$ (3.0)  Plato® SMD Flow Tip
---	<b>HS-0531</b>	 $.195"$ (5.0) $.135"$ (3.4)  Plato® SMD Flow Tip
		 Typical Tip Drawing

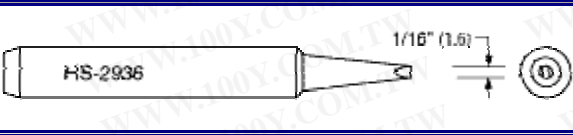
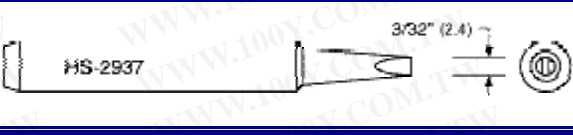
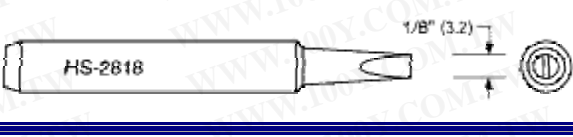
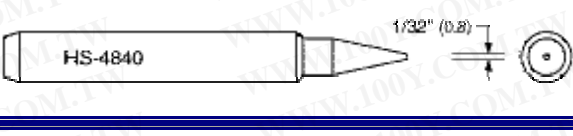
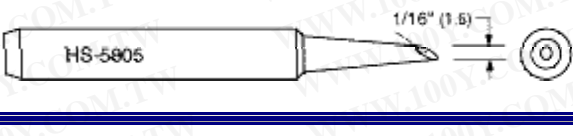
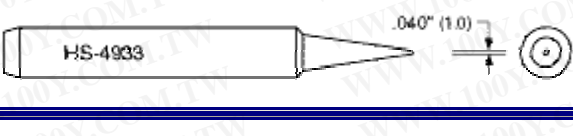
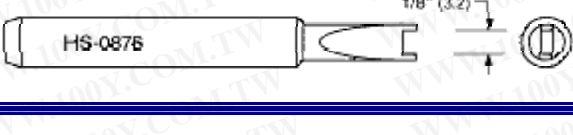
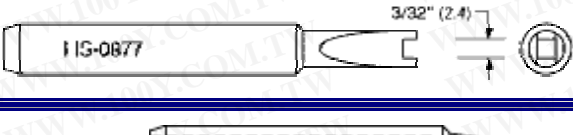
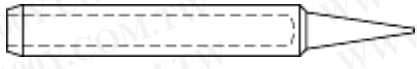
Hakko <sup>?</sup> / <sub>sup</sub> >	Plato <sup>?</sup> / <sub>sup</sub> >	PLATO <sup>?</sup> / <sub>sup</sub> > TIP & ORDER NUMBER
900S-T-B	<b>HS-4875</b>	 $.040"$ (1.0) 
900S-T-1.6D	<b>HS-2847</b>	 $1/16"$ (1.6) 
900S-T-I	<b>HS-4878</b>	 $.015"$ (0.4) 

勝特力材料 886-3-5753170  
 勝特力电子(上海) 86-21-54151736  
 勝特力电子(深圳) 86-755-83298787  
[Http://www.100y.com.tw](http://www.100y.com.tw)

		 Typical Tip Drawing	
Hakko®	Plato®	PLATO® TIP & ORDER NUMBER	
918-T-3C	HS-5807	 HS-5807	
918-T-4C	HS-5877	 HS-5877	
918-T-5C	HS-5878	 HS-5878	
918-T-1.6D	HS-2938	 HS-2938	
918-T-2.4D	HS-2939	 HS-2939	
918-T-3.2D	HS-6029	 HS-6029	
918-T-B	HS-4838	 HS-4838	
918-T-BC	HS-5806	 HS-5806	
		 Typical Tip Drawing	

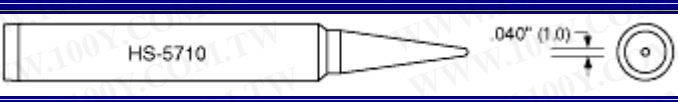
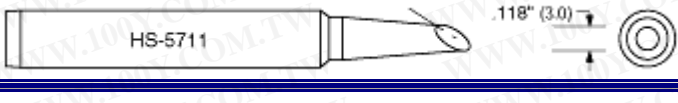
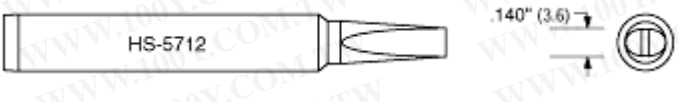
Hakko®	Plato®	PLATO® TIP & ORDER NUMBER	
920-T-2C	HS-5781	 HS-5781	
920-T-3C	HS-5857	 HS-5857	
920-T-4C	HS-5859	 HS-5859	
920-T-1.0D	HS-6095	 HS-6095	

勝特力材料 886-3-5753170  
 勝特力电子(上海) 86-21-54151736  
 勝特力电子(深圳) 86-755-83298787  
[Http://www.100y.com.tw](http://www.100y.com.tw)

920-T-1.6D	HS-2936	
920-T-2.4D 920-T-D	HS-2937	
920-T-3.2D	HS-2818	
920-T-B	HS-4840	
920-T-BC	HS-5805	
920-T-I	HS-4933	
920-T-R	HS-0876	
920-T-RT	HS-0877	
		 Typical Tip Drawing

勝特力材料 886-3-5753170  
 勝特力电子(上海) 86-21-54151736  
 勝特力电子(深圳) 86-755-83298787  
[Http://www.100y.com.tw](http://www.100y.com.tw)





**Plato® Tips to fit Hakko® Soldering Iron 980 / 981**

Hakko®	Plato®	PLATO® TIP & ORDER NUMBER
980-T-B	HS-5710	
980-T-BC	HS-5711	
980-T-D	HS-5712	

**Plato® Tips to fit Hakko® Red Soldering Iron**





















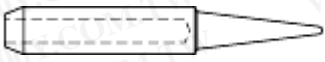
**500 / 501 / 502 / 503**

Hakko®	Plato®	PLATO® TIP & ORDER NUMBER
BB-3	300-8179	

<b>BB-4</b>	<b>400-8182</b>		$.040^\circ (1.0)$	
<b>BB-6</b>	<b>600-8181</b>		$.040^\circ (1.0)$	

### Plato® Tips to fit Hakko®

### Dash N452 and N453 Soldering Irons

Hakko®	Plato®	PLATO® TIP & ORDER NUMBER		
N452-T-B	HS-4860		$.040^\circ (1.0)$	
N452-T-C	HS-5879		$1/16^\circ (1.5)$	
N452-T-D	HS-1647		$.118^\circ (3.0)$	$.020^\circ (0.5)$
N452-T-I	HS-4904		$1/32^\circ (0.8)$	
N452-T-SB	HS-8126		$1/64^\circ (0.5)$	
N452-T-SC	HS-5880		$1/32^\circ (0.8)$	
N452-T-SD	HS-1646		$5/64^\circ (2.0)$	$.040^\circ (1.0)$
N452-T-1C	HS-5881		$.040^\circ (1.0)$	
N452-T-2C	HS-5882		$5/64^\circ (2.0)$	
N452-T-3C	HS-5883		$1/8^\circ (3.0)$	
N452-T-4C	HS-5884		$5/32^\circ (4.0)$	
		 <b>Typical Tip Drawing</b>		

勝特力材料 886-3-5753170  
 勝特力电子(上海) 86-21-54151736  
 勝特力电子(深圳) 86-755-83298787  
[Http://www.100y.com.tw](http://www.100y.com.tw)