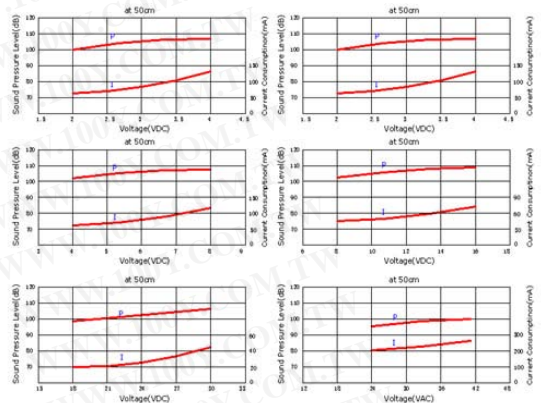


PROMOVER PRODUCTS

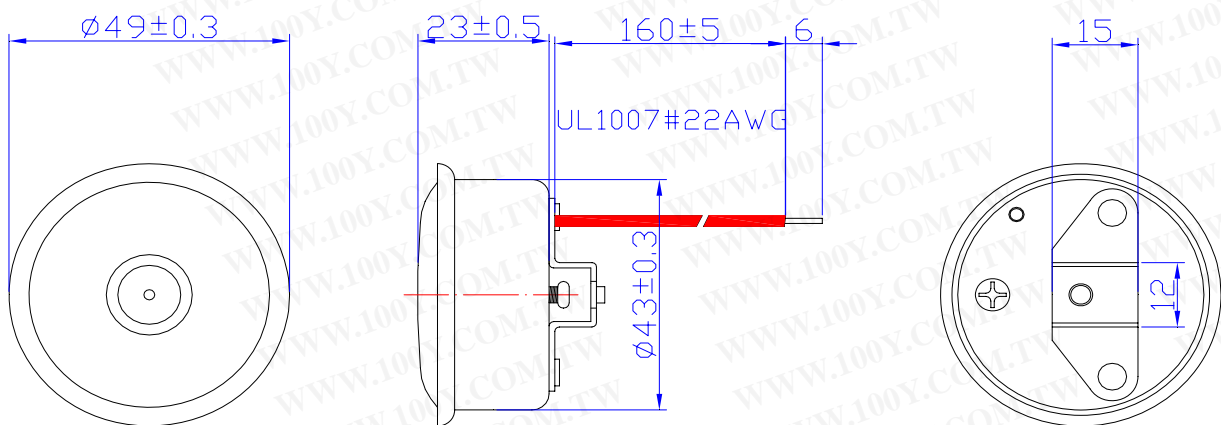
Shape

HS-49XX(B)



Model Number	HS-49XX(B)							
Rated Voltage(VDC)	1.5	3	6	9	12	24	36	48
Operating Voltage(VDC)	1.2 ~ 2	2 ~ 4	4 ~ 8	6 ~ 12	8 ~ 16	20 ~ 28	24 ~ 40	35 ~ 50
Current Consumption Max(mA)	300	200	160	80	88	55	45	45
SPL Min. (dB) at 50cm	90	90	90	90	90	90	90	90
Resonant Frequency(Hz)	400±100							
Operating Temperature(°C)	-20~+80							
Storage Temperature(°C)	-30~+80							
Tone	Continuous Sound							
Material	SECC							

Dimension



勝特力材料 886-3-5753170
 勝特力电子(上海) 86-21-54151736
 勝特力电子(深圳) 86-755-83298787
[Http://www.100y.com.tw](http://www.100y.com.tw)

Tolerance: ±0.5 Unit:mm