



Description

PT2268 is a remote control encoder utilizing CMOS Technology specially designed for use with the PT2128. Using a special coding technique, PT2268 increases noise immunity to a very great extent. It is housed in 16-Pins DIP Package and has a maximum of eight (8) input channels. Its high performance features make PT2268 a MUST in every fan and other electrical home appliance remote control application.

PTC provides a new version of PT2268 which can be identified by the "B" mark on the lower right hand corner of the IC's topcode (beside the date code). Please refer to the diagram on the Order Information Section. The difference between the old and new version is the external application circuit in the OSC1 and OSC2 pins. (see Oscillator Section)

Features

- CMOS Technology
- Low Power Consumption
- Very High Noise Immunity
- Wide Range of Operating Voltage : $V_{cc} = 2.2 \sim 5.0$ Volts
- Transmits signals to a maximum of 8 channels
- Start Word Custom Code Options Available (Please contact PTC for details.)

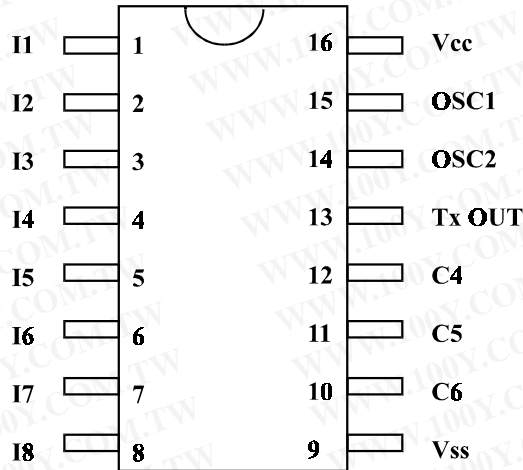
Applications

- Fan Remote Control
- Air Cleaner
- Humidifier
- Heater

勝特力材料 886-3-5753170
勝特力电子(上海) 86-21-54151736
勝特力电子(深圳) 86-755-83298787
[Http://www.100y.com.tw](http://www.100y.com.tw)



Pin Configuration

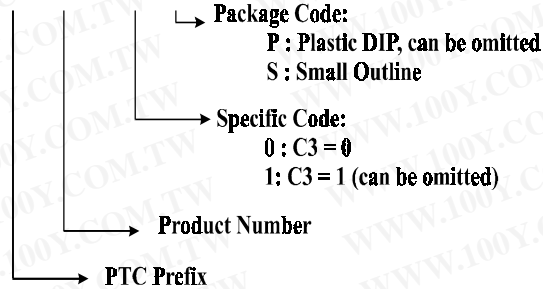


**PT 2268
ENCODER**

Order Information

Part Number	Package
PT2268	16 Pins, DIP

PT 2268 - X - X

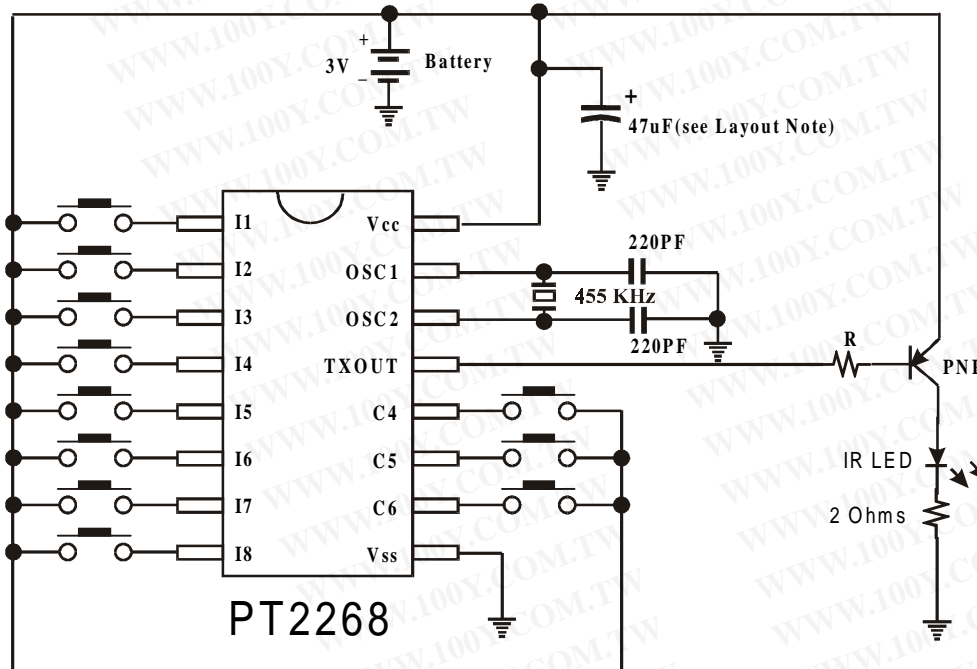


勝特力材料 886-3-5753170
 勝特力电子(上海) 86-21-54151736
 勝特力电子(深圳) 86-755-83298787
[Http://www.100y.com.tw](http://www.100y.com.tw)



Application Circuit

PT2268 IR Transmitter Application Circuit



Notes: 1. C3 (default value) = 1. For more details, please refer to Start Word Custom Code Section.

2. Resistor (R) is the Current Limit Impedance whose value must be greater than 220 Ohms. Resistor (R) Recommended Value = 1 K Ohms

Layout Note: Place 47uF capacitor as near as possible to the PT2268's Vss Pin.

勝特力材料 886-3-5753170
 勝特力电子(上海) 86-21-54151736
 勝特力电子(深圳) 86-755-83298787
[Http://www.100y.com.tw](http://www.100y.com.tw)