
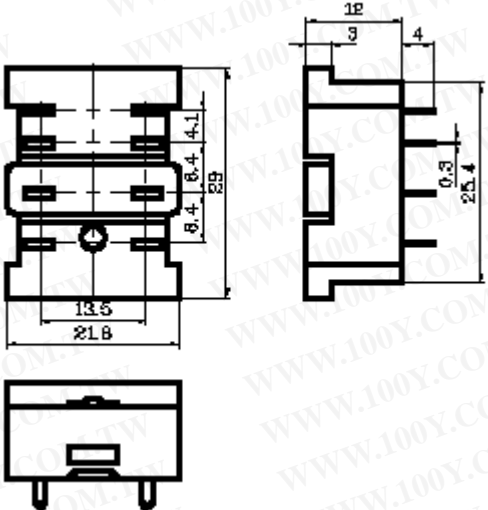


DESCRIPTION	PHOTO	Size: LxWxH (mm)	Type Application Fit
-------------	-------	------------------------	----------------------------

**PY-080**

	 <p>Technical drawings of the PY-080 component showing dimensions:</p> <ul style="list-style-type: none"> <li>Top view: 21.8 (total width), 13.5 (inner width), 8.4 (width of each of the two main sections), 4.1 (height of the top section).</li> <li>Side view: 18 (total height), 9 (height of the top section), 4 (height of the middle section), 0.3 (width of the middle section), 25.4 (total length).</li> <li>Bottom view: Shows the component's profile with two mounting feet.</li> </ul>	<p><b>21.8x29.0x12.0</b></p>	<p><b>RHS-2</b></p>
---	--	------------------------------	---------------------

勝特力材料 886-3-5753170  
 勝特力电子(上海) 86-21-54151736  
 勝特力电子(深圳) 86-755-83298787  
[Http://www.100y.com.tw](http://www.100y.com.tw)