
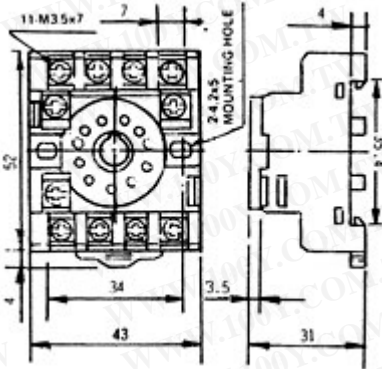

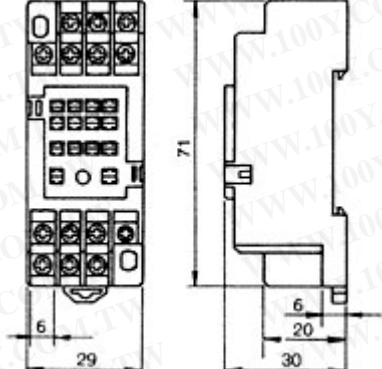



Type & Description

Type	Description
PF-113A	11 Pin octal, panel or DIN Rail Mountings.
PYF-14A	14 Pin octal, panel or DIN Rail Mountings.
PYF-08A	8 Pin octal, panel or DIN Rail Mountings.

勝特力材料 886-3-5753170
 勝特力电子(上海) 86-21-54151736
 勝特力电子(深圳) 86-755-83298787
[Http://www.100y.com.tw](http://www.100y.com.tw)

Dimensions

Type	Dimensions
 PF-113A	
 PYF-14A	
 PYF-08A	