

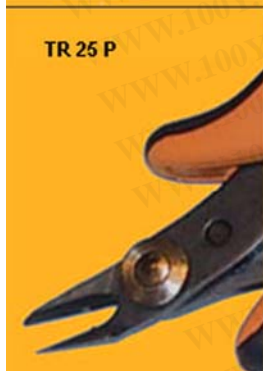
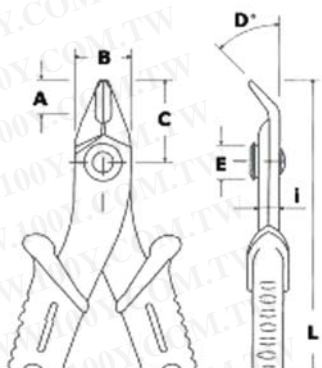


TR 20 M

Tool for a flush cut. The reduced size and refined and anatomic style of this tool make it ideal for work in tight places and for delicate electronic work. Maximum cutting capacity 20 AWG



A	8
B	9.5
C	18
D	21
E	9
I	4
L	136

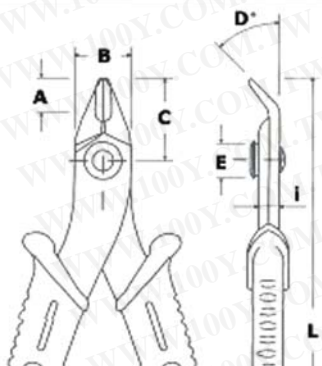


TR 25 P

Tool for a flush cut with particularly sharp cutting edges. Purposely designed for very delicate work in electronics. Maximum cutting capacity 18 AWG



A	8
B	10
C	18
D	21
E	9
I	5
L	138

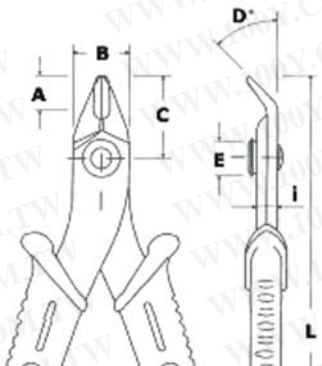


TR 30

Tool for a flush cut. An upgraded version of the TR 25, with stronger blades. Maximum cutting capacity 16 AWG



A	8
B	13.5
C	20
D	21
E	9
I	6
L	138

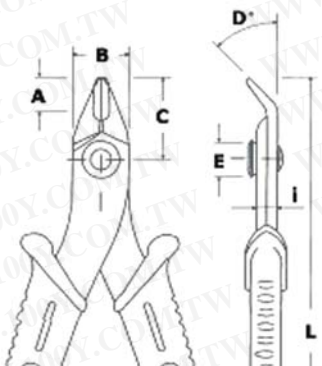


ITR 25 EC

Stamped cutting tool, semi-flush cut, special cutting edges with Induction treatment, suitable for the cutting of ferrous materials: Copper wire 1.30 mm max cutting capacity 16 AWG; Iron wire 1.02 mm max cutting capacity 18 AWG.



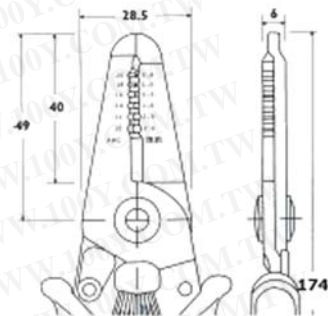
A	8
B	13.5
C	20
D	21
E	9
I	6
L	138



勝特力材料 886-3-5753170
 勝特力电子(上海) 86-21-54151736
 勝特力电子(深圳) 86-755-83298787
[Http://www.100y.com.tw](http://www.100y.com.tw)

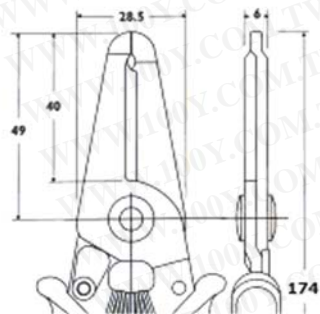
CSP 30/2

Very strong multi-use tool that carries out three functions:
Shears, Multi-diameter Wire stripper, Pliers. \varnothing 0.64÷2.59
mm, 22÷10 AWG



CSP 30/3

Multi-use tool that carries the function of Shears and
Pliers. Particularly suitable for work on electric cables. \varnothing
0.5÷10 mm



勝特力材料 86-3-5753170
勝特力电子(上海) 86-21-54151736
勝特力电子(深圳) 86-755-83298787
[Http://www.100y.com.tw](http://www.100y.com.tw)