

FEATURES

- High reliability
- Simple construction (only 3 component parts)
- Over-moulding manufacturing technique
- Plastic or metal clip versions available
- Various fixation means: clip type (inward/outward actuating), locating pins,...

TYPICAL APPLICATIONS

Provides a low cost, highly reliable solution for all position sensing applications:

- Automotive seat position memory, central locking, headlamp position and rear-view mirror position sensors.

MECHANICAL SPECIFICATIONS

Mechanical travel:

- NPL07.....7,25mm
- NPL08.....8mm
- NPL11.....11mm
- NPL12.....12mm

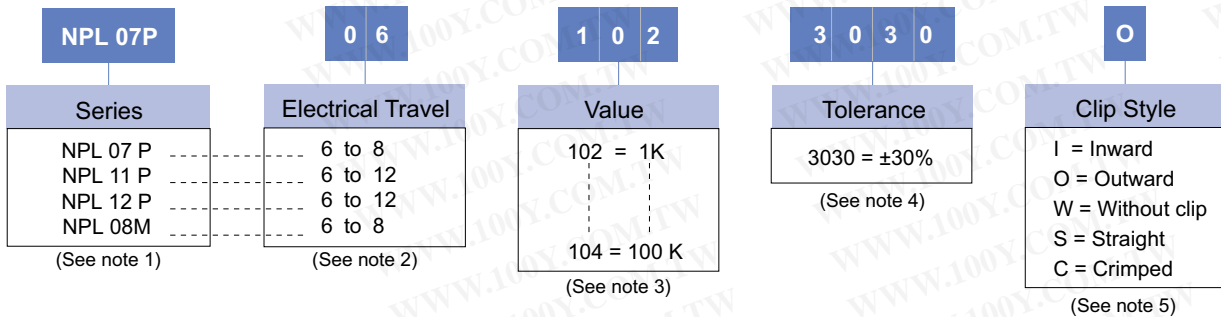
Electrical travel: (see how to order)
 Sliding force: ≤ 2N @ 10mm/sec
 Stop strength: 30N for 5 secs

ELECTRICAL SPECIFICATIONS

Range of values: 1K to 100K ohms
 Tolerance: ± 30%
 Max. voltage*: 50 VDC to 100 VDC
 Power rating*: 0.20 W @ 50°C
 Operating temperature: -40°C to +105°C
 Taper**: Linear
 Relative linearity**: ± 2%
 Mechanical Life: 50k cycles

* Depending on model ** Others upon request

HOW TO ORDER



NOTES:

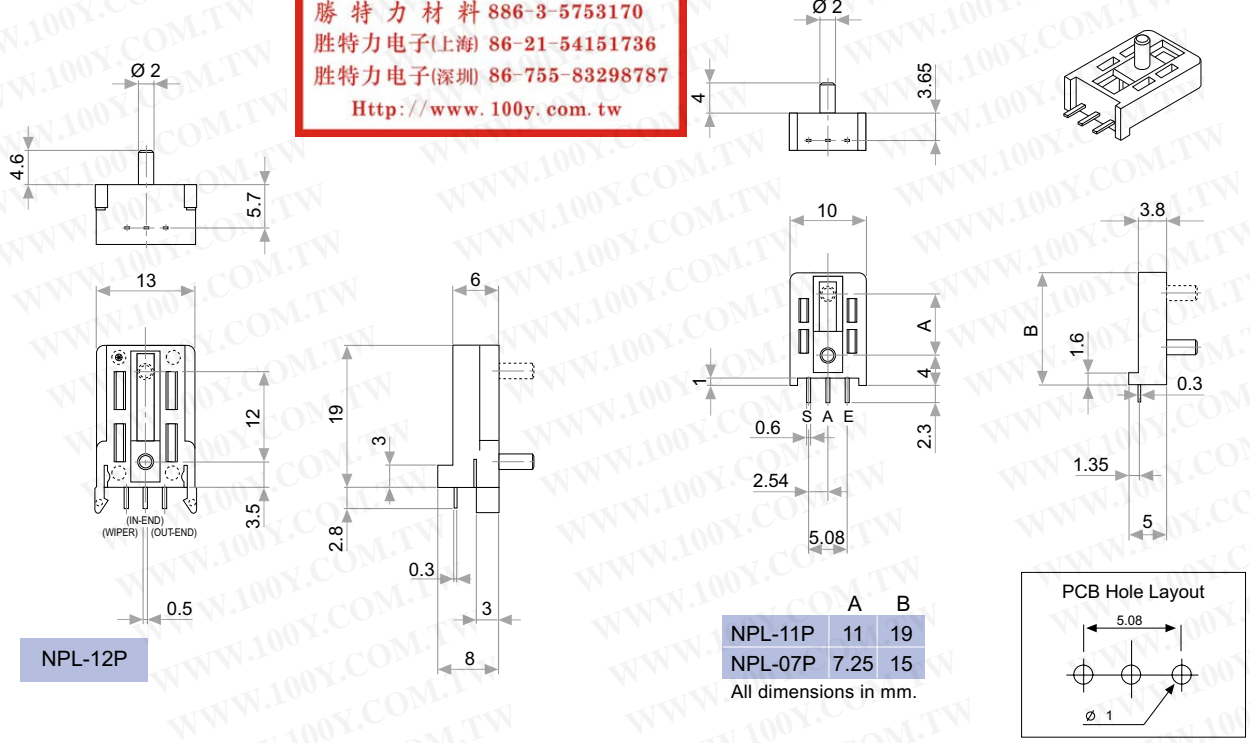
- (1) Suffixes: P = Plastic, M= Metal
- (2) Each NPL series has its own Electrical Travel range as shown.
- (3) Value Example: Code: 10 2 → 1kΩ
 → Number of zeros
 → First two digits of the value.
- (4) Non standard tolerance, upon request. Example: +25% Code: 25 20
 -20% → negative tolerance
 → positive tolerance
- (5) S and C options only available for NPL08M (metal version)
 W option only available for NPL07P and NPL11P
 I and O options only available for NPL12P

NOTE: The information contained here should be used for reference purposes only.
 This project has been financially supported by the Spanish Technological Development Institute (CDTI).

勝特力材料 886-3-5753170
 勝特力电子(上海) 86-21-54151736
 勝特力电子(深圳) 86-755-83298787
[Http://www.100y.com.tw](http://www.100y.com.tw)

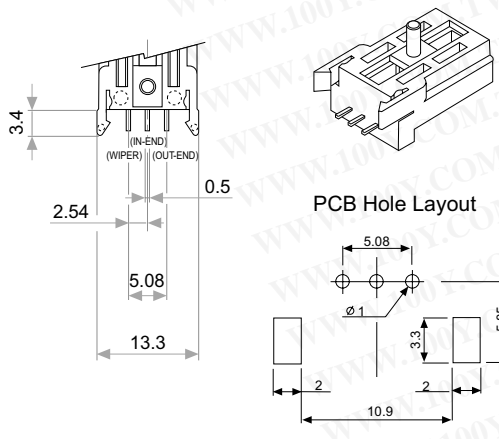
PLASTIC VERSIONS

勝特力材料 886-3-5753170
 勝特力电子(上海) 86-21-54151736
 勝特力电子(深圳) 86-755-83298787
[Http://www.100y.com.tw](http://www.100y.com.tw)

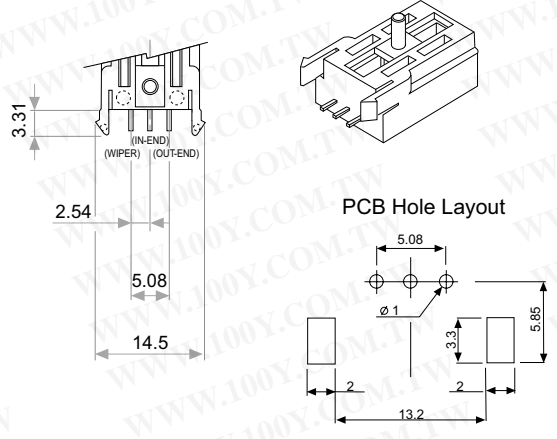


CLIP STYLE DETAILS (FOR NPL12P)

INWARD FACING CLIPS

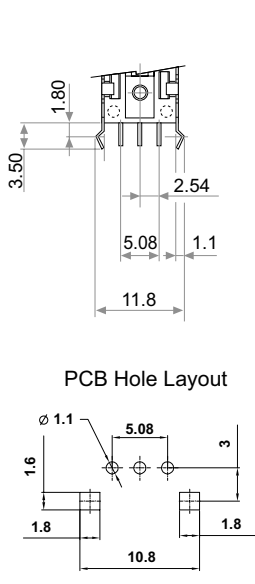


OUTWARD FACING CLIPS



METAL VERSION (NPL08M)

CRIMPED



STRAIGHT

