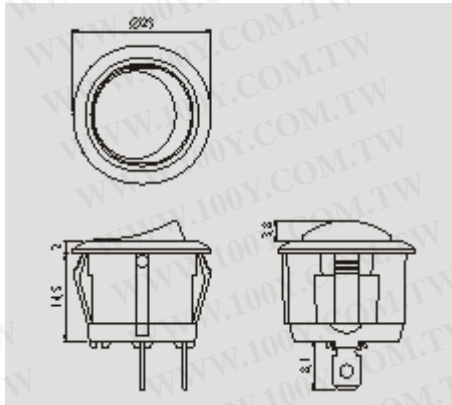


R13-112

E67774 LR45128 11037-4401



Rating

10A 125V AC
6A 250V AC

Contact resistance

50mΩ Max

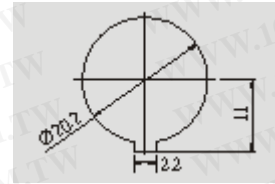
Insulation resistance

DC 500V 100MΩ Min

Dielectric strength

AC 1500V 1 minute

Cut-out



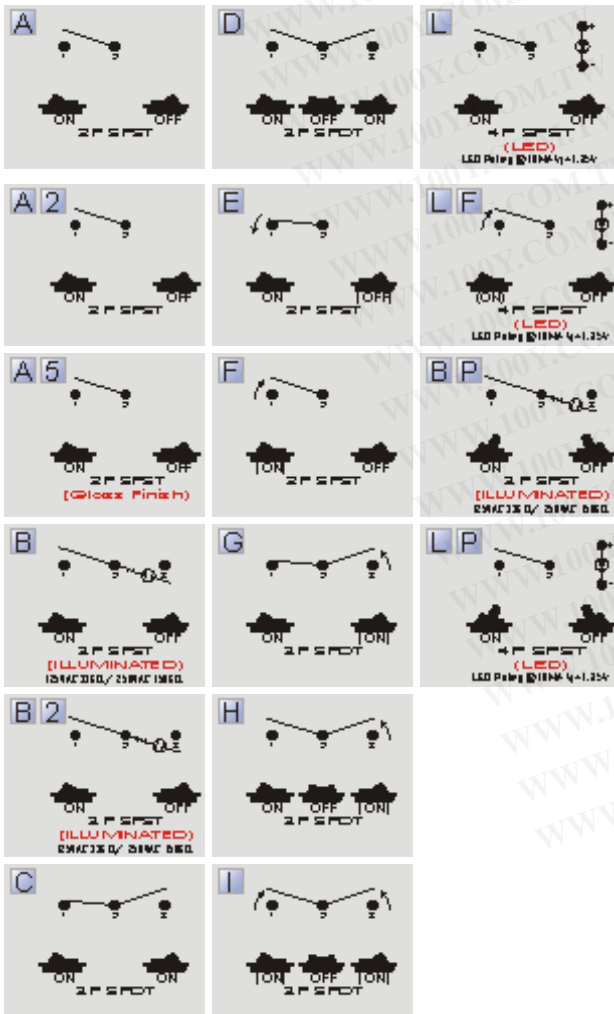
3 mm max

FEATURES

- MATERIAL: Frames are nylon (UL flame: 94V-2). Terminals are silver plated brass.
- Illuminated actuators are molded in PC, available with red, amber, and green colors.
- Snap-in mounting, easy to install switch into panel.
- Waterproof cover is optional., except LP & BP type.

R13-112

FUNCTION



TERMINAL

0 2 .187" Quick connect

* () =momentary

勝特力材料 886-3-5753170
 勝特力电子(上海) 86-21-54151736
 勝特力电子(深圳) 86-755-83298787
[Http://www.100y.com.tw](http://www.100y.com.tw)

