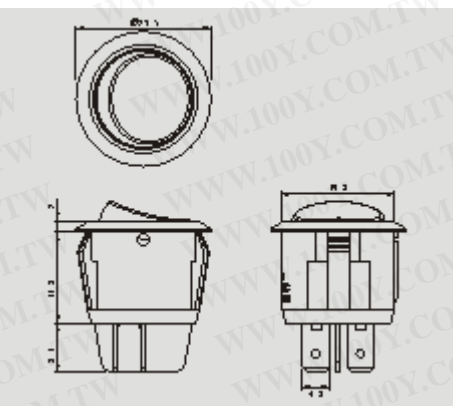
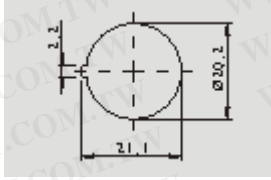




R13-244



Rating
 16A 125V AC
 10A 250V AC
 Contact resistance
 50mΩ Max
 Insulation resistance
 DC 500V 100MΩ Min
 Dielectric strength
 AC 1500V 1 minute
 Cut-out



3 mm max

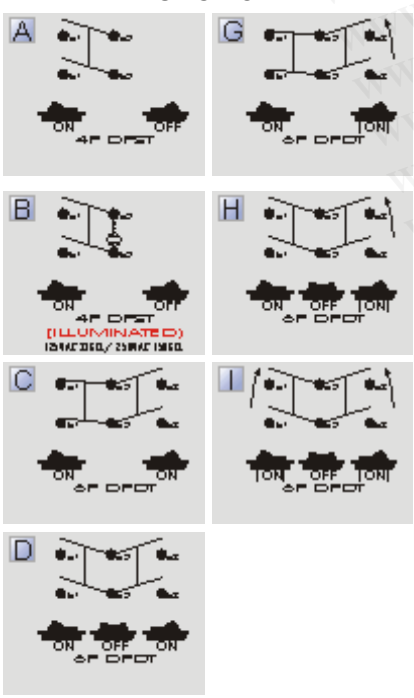
FEATURES

- MATERIAL: Frames are nylon (UL flame: 94V-2). Terminals are silver plated brass.
- Illuminated actuators are molded in PC, available with red, amber, and green colors.
- Snap-in mounting, easy to install switch into panel.
- **Waterproof cover is optional.**

R13-244

FUNCTION

TERMINAL



0 2 .187" Quick connect
 * () =momentary



勝特力材料 886-3-5753170
 勝特力电子(上海) 86-21-54151736
 勝特力电子(深圳) 86-755-83298787
[Http://www.100y.com.tw](http://www.100y.com.tw)