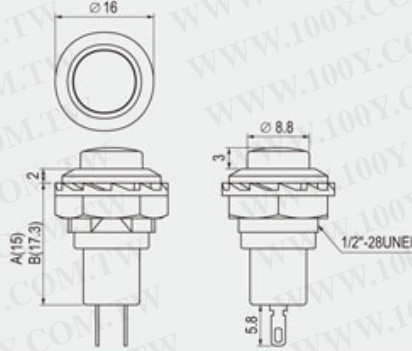
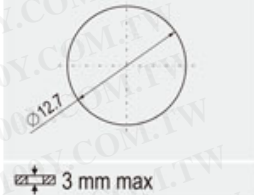


# R13-502

## Screw Type



|                       |                            |
|-----------------------|----------------------------|
| Rating                | 3A 125V AC<br>1.5A 250V AC |
| Contact resistance    | 50mΩ Max                   |
| Insulation resistance | DC 500V 100MΩ Min          |
| Dielectric strength   | AC 1000V 1 minute          |
| Cut-out               |                            |



### FEATURES

- \* MATERIAL: Actuator and Frame are nylon (UL flame: 94V-2). Terminals are silver plated brass. Base is PBT.
- \* M types are metal frames, nickel plated brass.
- \* Mounted by nut.

## R13-502

| BODY                      | FUNCTION  | TERMINAL      |
|---------------------------|---|---------------|
| <b>P</b> Plastic Body<br> | <b>A</b><br><br><b>C</b><br><br>(Only for R13-502MC)<br>* ( ) = momentary | <b>0 5</b> SO |
| <b>M</b> Metal Body<br>   | <b>B</b><br>  |               |



勝特力材料 886-3-5753170  
 勝特力电子(上海) 86-21-34970699  
 勝特力电子(深圳) 86-755-83298787  
[Http://www.100y.com.tw](http://www.100y.com.tw)