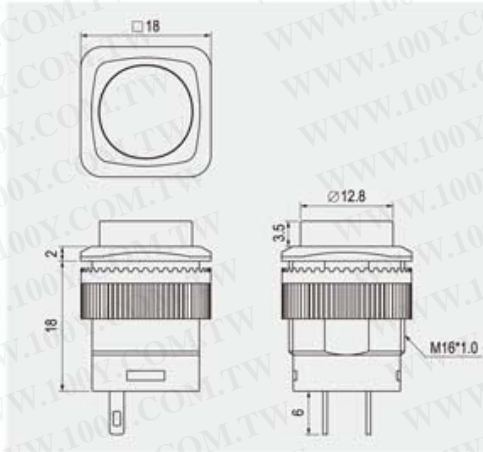


R13-508

Screw Type



Rating	3A 125V AC 1.5A 250V AC
Contact resistance	50mΩ Max
Insulation resistance	DC 500V 100MΩ Min
Dielectric strength	AC 1500V 1 minute
Cut-out	7 mm max

FEATURES

- * MATERIAL: Frame is nylon with glass fiber (UL flame: 94V-2). Terminals are silver plated brass. Base is PBT.
- * Illuminated actuator are molded in PC, available with red, amber, green, blue and white colors.
- * Mounted by nut.

R13-508 -

FUNCTION		BUTTON		TERMINAL
A		C L		0 5 SO
A L		D L		
B				
B L				

* () = momentary

R13-508-2-55

R13-508-1-5

勝特力材料 886-3-5753170
 勝特力电子(上海) 86-21-34970699
 勝特力电子(深圳) 86-755-83298787
 Http://www.100y.com.tw